

Owner's Manual & Safety Instructions

Save This Manual Keep this manual for the safety warnings and precautions, assembly, operating, inspection, maintenance and cleaning procedures. Write the product's serial number in the back of the manual near the assembly diagram (or month and year of purchase if product has no number). Keep this manual and the receipt in a safe and dry place for future reference.

23b

HAULMASTER®

250 LB. CAPACITY TRUCK LADDER RACK



Ladder not included.

Visit our website at: <http://www.harborfreight.com>
Email our technical support at: productsupport@harborfreight.com

70206

When unpacking, make sure that the product is intact and undamaged. If any parts are missing or broken, please call 1-888-866-5797 as soon as possible.

Copyright© 2023 by Harbor Freight Tools®. All rights reserved.

No portion of this manual or any artwork contained herein may be reproduced in any shape or form without the express written consent of Harbor Freight Tools. Diagrams within this manual may not be drawn proportionally. Due to continuing improvements, actual product may differ slightly from the product described herein. Tools required for assembly and service may not be included.

⚠WARNING

Read this material before using this product.
Failure to do so can result in serious injury.
SAVE THIS MANUAL.

Specifications

Weight Capacity	250 lb.
Arm Width	19 " - 34"
Rack Height	51 3/8"

Important Safety Information

Installation Precautions

1. Follow DOT regulations regarding installation and use.
2. Verify that installation surface has no hidden electrical or fuel lines before drilling or driving screws.
3. Verify critical dimensions in manual and ensure fit to vehicle.
4. Install only according to these instructions. Improper installation can create hazards.
5. Wear ANSI-approved safety goggles and heavy-duty work gloves during installation.
6. Keep installation area clean and well lit.
7. Keep bystanders out of the area during installation.
8. Do not install when tired or when under the influence of drugs or medication.
9. Weight capacity and other product capabilities apply to properly and completely installed product only.

Use Precautions

1. Do not exceed listed weight capacity, distributed evenly. **Be aware of dynamic loading!** Sudden load movement may briefly create excess load causing product failure.
2. Strap ladder or cargo securely to rack.
3. When expanding the Arm (6), leave at least 3" of the tube in the Frame (1).
4. Use as intended only.
5. Inspect before every use; do not use if parts loose or damaged.
6. This product is not a toy. Do not allow children to play with or near this item.
7. Maintain product labels and nameplates. These carry important safety information. If unreadable or missing, contact Harbor Freight Tools for a replacement.



SAVE THESE INSTRUCTIONS.

Assembly and Installation



Read the **ENTIRE IMPORTANT SAFETY INFORMATION** section at the beginning of this manual including all text under subheadings therein before set up or use of this product.

WARNING

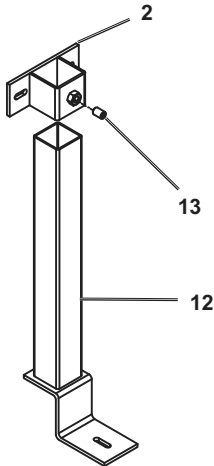
TO PREVENT SERIOUS INJURY DURING INSTALLATION:

Park truck in level, stable location well away from traffic.

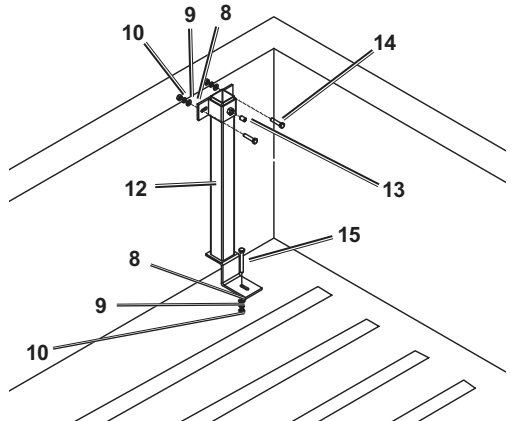
Place transmission in park/neutral and set parking brake.

Note: Only finger tighten bolts until Truck Ladder is fully assembled.

1. Slide Mounting Bracket (2) over Base Bracket (12) and loosely secure in place with Set Screw (13).



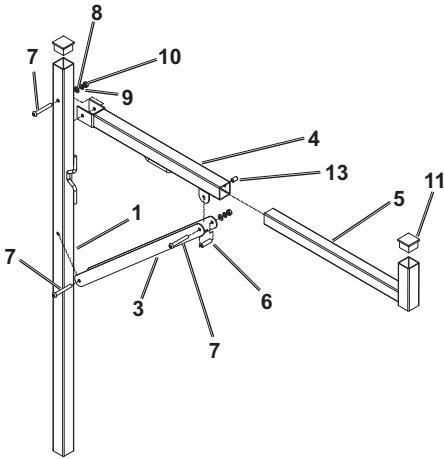
5. Attach the assembly to the holes as shown using Bolt (14), Flat Washer (8), Spring Washer (9), and Lock Nut (10), then tighten the Set Screw (13).
6. Install Bolt (15), Flat Washer (8), Spring Washer (9), and Lock Nut (10), then tighten to the truck bed.



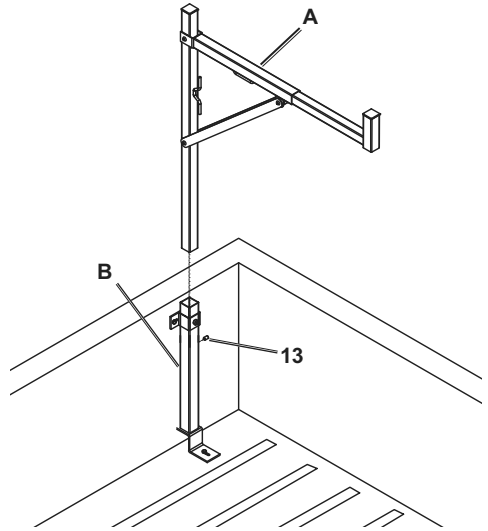
2. Place Base Bracket (12) on truck bed. Loosen Set Screw (13) and allow Base Bracket (12) to slide down so the foot rests flat on the truck bed.
3. Mark the bed rail at the center of the holes, 2 holes in the side and 1 hole on the truck bed. Set the assembly aside.
4. Drill the locations previously marked in Step 3.

7. Mount the Boom (4) onto the Post (1) and secure together with Bolt (7), Washer (8), Spring Washer (9) and Lock Nut (10) using Hex Wrench (16).
8. Insert Extended Boom (5) into Boom (4) and secure with Set Screw (13).
9. Connect Support Bar (3) to Post (1) and Boom (4) then secure together with Bolt (7), Washer (8), Spring Washer (9) and Lock Nut (10) using Hex Wrench (16).

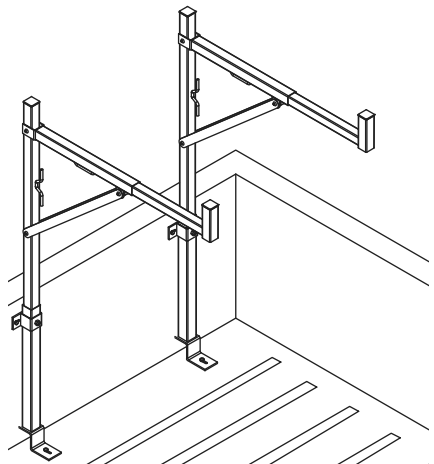
Note: Sleeve (6) should be positioned on the inner side of the Support Bar (3).



10. Insert the Support Bar Assembly (A) into the Bed Rail Assembly (B) and secure together with Set Screw (13).



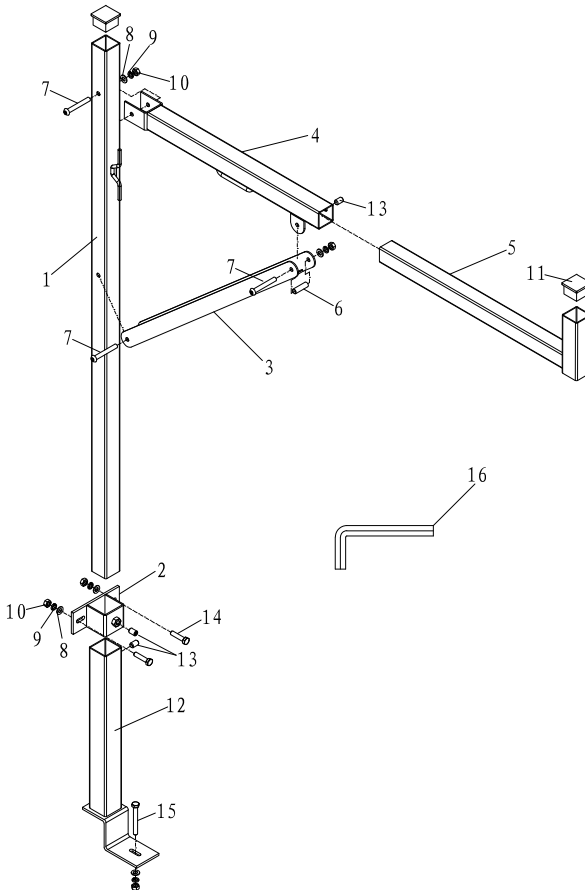
11. Repeat steps 1-9 to mount the other rack to the truck bed.



Parts List and Assembly Diagram

Part	Description	Qty
1	Post	2
2	Mounting Bracket	2
3	Support Bar	2
4	Boom	2
5	Extended Boom	2
6	Sleeve	2
7	Bolt M8X60	6
8	Flat Washer	12
9	Spring Washer 8	12

Part	Description	Qty
10	Lock Nut M8	12
11	Square Plug	4
12	Base Bracket	2
13	Set Screw M10X16	6
14	Bolt M8X40	4
15	Bolt M8X70	2
16	Hex Wrench	1
17	Strap (not shown)	2



PLEASE READ THE FOLLOWING CAREFULLY

THE MANUFACTURER AND/OR DISTRIBUTOR HAS PROVIDED THE PARTS LIST IN THIS DOCUMENT AS A REFERENCE TOOL ONLY. NEITHER THE MANUFACTURER OR DISTRIBUTOR MAKES ANY REPRESENTATION OR WARRANTY OF ANY KIND TO THE BUYER THAT HE OR SHE IS QUALIFIED TO MAKE ANY REPAIRS TO THE PRODUCT, OR THAT HE OR SHE IS QUALIFIED TO REPLACE ANY PARTS OF THE PRODUCT. IN FACT, THE MANUFACTURER AND/OR DISTRIBUTOR EXPRESSLY STATES THAT ALL REPAIRS AND PARTS REPLACEMENTS SHOULD BE UNDERTAKEN BY CERTIFIED AND LICENSED TECHNICIANS, AND NOT BY THE BUYER. THE BUYER ASSUMES ALL RISK AND LIABILITY ARISING OUT OF HIS OR HER REPAIRS TO THE ORIGINAL PRODUCT OR REPLACEMENT PARTS THERETO, OR ARISING OUT OF HIS OR HER INSTALLATION OF REPLACEMENT PARTS THERETO.

HAULMASTER[®]

Record Serial Number Here:

Note: If product has no serial number, record month and year of purchase instead.

Note: Some parts are listed for illustration purposes only, and are not available individually as replacement parts. Specify UPC 193175492456 when ordering parts.

Limited 90 Day Warranty

Harbor Freight Tools Co. makes every effort to assure that its products meet high quality and durability standards, and warrants to the original purchaser that this product is free from defects in materials and workmanship for the period of 90 days from the date of purchase. This warranty does not apply to damage due directly or indirectly, to misuse, abuse, negligence or accidents, repairs or alterations outside our facilities, criminal activity, improper installation, normal wear and tear, or to lack of maintenance. We shall in no event be liable for death, injuries to persons or property, or for incidental, contingent, special or consequential damages arising from the use of our product. Some states do not allow the exclusion or limitation of incidental or consequential damages, so the above limitation of exclusion may not apply to you. THIS WARRANTY IS EXPRESSLY IN LIEU OF ALL OTHER WARRANTIES, EXPRESS OR IMPLIED, INCLUDING THE WARRANTIES OF MERCHANTABILITY AND FITNESS.

To take advantage of this warranty, the product or part must be returned to us with transportation charges prepaid. Proof of purchase date and an explanation of the complaint must accompany the merchandise. If our inspection verifies the defect, we will either repair or replace the product at our election or we may elect to refund the purchase price if we cannot readily and quickly provide you with a replacement. We will return repaired products at our expense, but if we determine there is no defect, or that the defect resulted from causes not within the scope of our warranty, then you must bear the cost of returning the product.

This warranty gives you specific legal rights and you may also have other rights which vary from state to state.

The logo for Haulmaster, featuring the word "HAULMASTER" in a bold, italicized, sans-serif font. The letters are white with a thick black outline, and the entire word is set against a black background. A registered trademark symbol (®) is located at the bottom right of the word.

26677 Agoura Road • Calabasas, CA 91302 • 1-888-866-5797