

Owner's Manual & Safety Instructions

Save This Manual Keep this manual for the safety warnings and precautions, assembly, operating, inspection, maintenance and cleaning procedures. Write the product's serial number in the back of the manual (or month and year of purchase if product has no number). Keep this manual and the receipt in a safe and dry place for future reference.

23g

U.S. GENERAL

56"/72" WORK CENTER HUTCH



58713 70328 70327 70399 70398 70397 70396 70395 70330 70331 70332 70333 70335 70337 58709 70339

Visit our website at: <http://www.harborfreight.com>

Email our technical support at: productsupport@harborfreight.com

When unpacking, make sure that the product is intact and undamaged. If any parts are missing or broken, please call 1-888-866-5797 as soon as possible.

Copyright© 2022 by Harbor Freight Tools®. All rights reserved.

No portion of this manual or any artwork contained herein may be reproduced in any shape or form without the express written consent of Harbor Freight Tools. Diagrams within this manual may not be drawn proportionally. Due to continuing improvements, actual product may differ slightly from the product described herein. Tools required for assembly and service may not be included.

⚠ WARNING

Read this material before using this product. Failure to do so can result in serious injury. **SAVE THIS MANUAL.**

IMPORTANT SAFETY INFORMATION

Use Precautions

1. **DO NOT SIT, STAND OR CLIMB ON THIS ITEM.**
2. Do not allow children to play with or near this item. This item is NOT children's furniture.
3. Evenly distribute load from bottom up. Uneven loading causes tipping. Be aware of dynamic loading! Sudden movement may briefly create excess load causing tipping.
4. Close before moving. Do not pull, Push to move.
5. Center securely within lip on top of chest or cabinet.
6. Place on top of matching chest or cabinet only.
7. Do not place objects on top or hang objects off side.
8. Have assistant help place on chest or cabinet.
9. Do not lift while loaded.
10. Do not use as stand-alone unit.
11. Wear ANSI-approved safety goggles and heavy-duty work gloves during assembly.
12. Maintain product labels and nameplates. These carry important safety information. If unreadable or missing, contact Harbor Freight Tools for a replacement.
13. Read instruction manual before assembly and/or use.

Operation Instructions



Read the **ENTIRE IMPORTANT SAFETY INFORMATION** section at the beginning of this document including all text under subheadings therein before set up or use of this product.

Note: Two or more people may be required to complete the following steps.

1. Place Work Center Hutch inside inner lip on top of chest or cabinet.
2. Make sure Work Center Hutch sits flush on chest or cabinet.
3. Leave equal space on either side of Work Center Hutch.

Maintenance and Servicing



Procedures not specifically explained in this document must be performed only by a qualified technician.

WARNING

TO PREVENT SERIOUS INJURY FROM TOOL FAILURE:

Do not use damaged equipment. If any part becomes damaged, have the problem corrected before further use.

1. **PERIODICALLY**, inspect the general condition of the Work Center Hutch. Check for:
 - loose hardware,
 - misalignment or binding of moving parts,
 - cracked or broken parts,
 - any other condition that may affect its safe operation.
2. Wipe external surfaces with clean cloth.

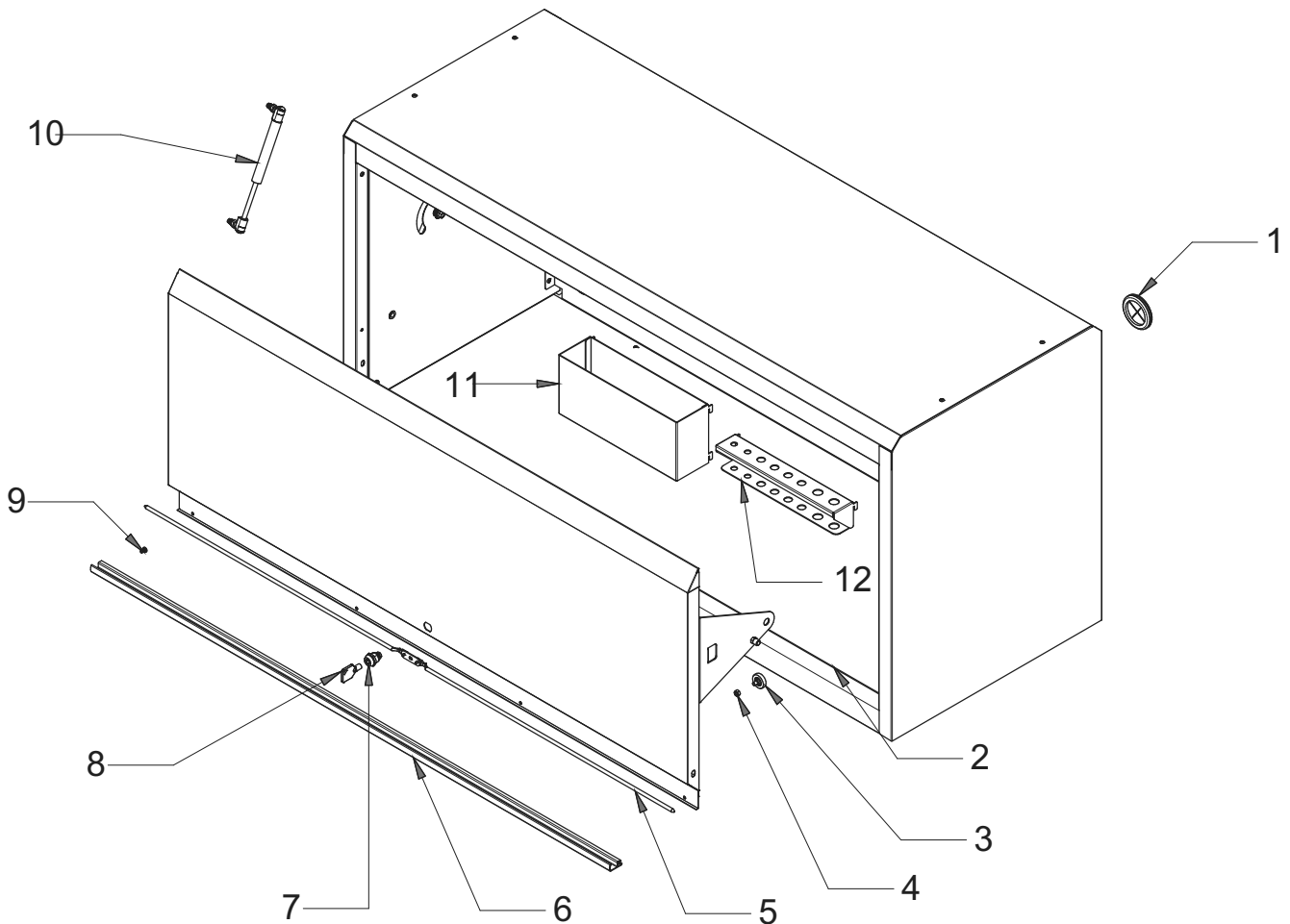
PLEASE READ THE FOLLOWING CAREFULLY

THE MANUFACTURER AND/OR DISTRIBUTOR HAS PROVIDED THE PARTS LIST AND ASSEMBLY DIAGRAM IN THIS DOCUMENT AS A REFERENCE TOOL ONLY. NEITHER THE MANUFACTURER OR DISTRIBUTOR MAKES ANY REPRESENTATION OR WARRANTY OF ANY KIND TO THE BUYER THAT HE OR SHE IS QUALIFIED TO MAKE ANY REPAIRS TO THE PRODUCT, OR THAT HE OR SHE IS QUALIFIED TO REPLACE ANY PARTS OF THE PRODUCT. IN FACT, THE MANUFACTURER AND/OR DISTRIBUTOR EXPRESSLY STATES THAT ALL REPAIRS AND PARTS REPLACEMENTS SHOULD BE UNDERTAKEN BY CERTIFIED AND LICENSED TECHNICIANS, AND NOT BY THE BUYER. THE BUYER ASSUMES ALL RISK AND LIABILITY ARISING OUT OF HIS OR HER REPAIRS TO THE ORIGINAL PRODUCT OR REPLACEMENT PARTS THERETO, OR ARISING OUT OF HIS OR HER INSTALLATION OF REPLACEMENT PARTS THERETO.

Parts List and Diagram

Part	Description	Qty
1	Grommet	8
2	Rubber Mat	1
3	Bearing	2
4	Nut	2
5	Lock Rod	1
6	Door Trim	1
7	Lock	1

Part	Description	Qty
8	Key	4
9	Trim Screw (ST4.8 x 7.2) for 56 in.	4
	Trim Screw (ST4.8 x 7.2) for 72 in.	6
10	Gas Strut	2
11	Bin	1
12	Bracket	1



U.S. GENERAL

Limited 90 Day Warranty

Harbor Freight Tools Co. makes every effort to assure that its products meet high quality and durability standards, and warrants to the original purchaser that this product is free from defects in materials and workmanship for the period of 90 days from the date of purchase. This warranty does not apply to damage due directly or indirectly, to misuse, abuse, negligence or accidents, repairs or alterations outside our facilities, criminal activity, improper installation, normal wear and tear, or to lack of maintenance. We shall in no event be liable for death, injuries to persons or property, or for incidental, contingent, special or consequential damages arising from the use of our product. Some states do not allow the exclusion or limitation of incidental or consequential damages, so the above limitation of exclusion may not apply to you. THIS WARRANTY IS EXPRESSLY IN LIEU OF ALL OTHER WARRANTIES, EXPRESS OR IMPLIED, INCLUDING THE WARRANTIES OF MERCHANTABILITY AND FITNESS.

To take advantage of this warranty, the product or part must be returned to us with transportation charges prepaid. Proof of purchase date and an explanation of the complaint must accompany the merchandise. If our inspection verifies the defect, we will either repair or replace the product at our election or we may elect to refund the purchase price if we cannot readily and quickly provide you with a replacement. We will return repaired products at our expense, but if we determine there is no defect, or that the defect resulted from causes not within the scope of our warranty, then you must bear the cost of returning the product.

This warranty gives you specific legal rights and you may also have other rights which vary from state to state.

Record Serial Number Here: _____

Note: If product has no serial number, record month and year of purchase instead.

Note: Some parts are listed and shown for illustration purposes only, and are not available individually as replacement parts. Parts may not be interchangeable.

Specify UPC number when ordering:

56" Red: 58713 UPC193175445087

56" Yellow: 70328 UPC 193175495907

56" White: 70327 UPC 193175495891

56" Orange: 70399 UPC 193175496652

56" Green: 70398 UPC 193175496645

56" Gray: 70397 UPC 193175496638

56" Blue: 70396 UPC 193175496621

56" Black 70395 UPC 193175496614

72" Red: 58709 UPC 193175444912

72" Yellow: 70339 UPC 193175496010

72" White: 70337 UPC 193175495990

72" Orange: 70335 UPC 193175495976

72" Green: 70333 UPC 193175495952

72" Gray: 70332 UPC 193175495945

72" Blue: 70331 UPC 193175495938

72" Black: 70330 UPC 193175495921

U.S. GENERAL

26677 Agoura Road • Calabasas, CA 91302 • 1-888-866-5797