

# Owner's Manual & Safety Instructions

**Save This Manual** Keep this manual for the safety warnings and precautions, assembly, operating, inspection, maintenance and cleaning procedures. Write the product's serial number in the back of the manual near the assembly diagram (or month and year of purchase if product has no number). Keep this manual and the receipt in a safe and dry place for future reference.

23g

# **U.S. GENERAL**

## **15" END CABINET**



**58717 70350 70351 70353**

Visit our website at: <http://www.harborfreight.com>  
Email our technical support at: [productsupport@harborfreight.com](mailto:productsupport@harborfreight.com)

When unpacking, make sure that the product is intact and undamaged. If any parts are missing or broken, please call 1-888-866-5797 as soon as possible.

Copyright© 2023 by Harbor Freight Tools®. All rights reserved.  
No portion of this manual or any artwork contained herein may be reproduced in any shape or form without the express written consent of Harbor Freight Tools. Diagrams within this manual may not be drawn proportionally. Due to continuing improvements, actual product may differ slightly from the product described herein.  
Tools required for assembly and service may not be included.

### **⚠ WARNING**

Read this material before using this product.  
Failure to do so can result in serious injury.  
**SAVE THIS MANUAL.**

## Specifications

<b>Total Weight Capacity</b>	<b>720 lbs when attached Roll Cab is full (290 lbs when Cab is empty)</b>
<b>Drawer Capacity (per connected pair of slides)</b>	<b>120 lbs</b>

<b>Weight Capacity per Connected Unit</b>		
<b>Roll Cab Size</b>	<b>Locker</b>	<b>End Cabinet</b>
42"	180 lb	290 lb
56"	380 lb	570 lb
72"	720 lb	720 lb

***U.S. GENERAL***

# IMPORTANT SAFETY INFORMATION

## Assembly Precautions

---

1. Assemble only according to these instructions. Mount only on side of Bottom Cabinet according to instructions. Improper assembly can create hazards.
2. Wear ANSI-approved safety goggles and heavy-duty work gloves during assembly.
3. Keep assembly area clean and well lit.
4. Keep bystanders out of the area during assembly.
5. Do not assemble when tired or when under the influence of alcohol, drugs or medication.
6. Weight capacity and other product capabilities apply to properly and completely assembled product only.
7. Assemble on a flat, level, hard and smooth surface capable of safely supporting loaded Cabinet.

## Use Precautions

---

### TO PREVENT SERIOUS INJURY AND DEATH FROM TIPPING:

1. **DO NOT SIT, STAND OR CLIMB ON THIS ITEM.**
2. This product is not a toy nor a toy chest. Do not allow children to play with or near this item.
3. Do not exceed weight capacities, evenly distributed from bottom up.  
**Be aware of dynamic loading!**  
Sudden load movement may briefly create excess load causing product failure.
4. Do not move or lift while loaded.
5. Use as intended only.
6. Inspect before every use; do not use if parts are loose or damaged.
7. Maintain product labels and nameplates. These carry important safety information. If unreadable or missing, contact Harbor Freight Tools for a replacement.

***U.S. GENERAL***

## Assembly and Mounting Instructions



Read the **ENTIRE IMPORTANT SAFETY INFORMATION** section at the beginning of this document including all text under subheadings therein before set up or use of this product.

### Mounting

---

1. Remove handle from side of Bottom Cabinet.
2. Using an assistant, place **EMPTY** End Cabinet onto either side of Bottom Cabinet, making sure lip on End Cabinet fits securely over top edge of Bottom Cabinet.
3. Secure End Cabinet to Bottom Cabinet from underneath, using Mounting Bolts.



**Bolts**

***U.S. GENERAL***

## Operation Instructions



Read the **ENTIRE IMPORTANT SAFETY INFORMATION** section at the beginning of this document including all text under subheadings therein before set up or use of this product.

Fill End Cabinet evenly, from bottom to top. Do not exceed weight capacities.

## Maintenance and Servicing



Procedures not specifically explained in this manual must be performed only by a qualified technician.

### **WARNING**

#### **TO PREVENT SERIOUS INJURY FROM TOOL FAILURE:**

**Do not use damaged equipment. If any part becomes damaged, have the problem corrected before further use.**

1. **PERIODICALLY**, inspect the general condition of the Cabinet. Check for:
  - loose hardware,
  - misalignment or binding of moving parts,
  - cracked or broken parts,
  - any other condition that may affect its safe operation.
2. Wipe external surfaces of the Cabinet with clean cloth.
3. Lubricate Drawer Slides as needed.

# ***U.S. GENERAL***

## Parts List and Diagram

### Parts List

Part	Description	Qty
1	Top Liner	1
2	Lock Rod	1
3	Link	1
4	Lock and Keys	1
5	Drawer Trim	6
6	Latch	6
7	Drawer Liner	6

Part	Description	Qty
8	Ball Bearing Slide	8
9	Bolt M8 x 20	2
A	Drawer A	1
B	Drawer B	2
C	Drawer C	1
D	Drawer D	1
E	Drawer E	1

**Record Serial Number Here:** \_\_\_\_\_

**Note:** If product has no serial number, record month and year of purchase instead.

**Note:** Some parts are listed and shown for illustration purposes only, and are not available individually as replacement parts. Parts may not be interchangeable.

Specify UPC number when ordering:

Red: 58717 UPC193175486844

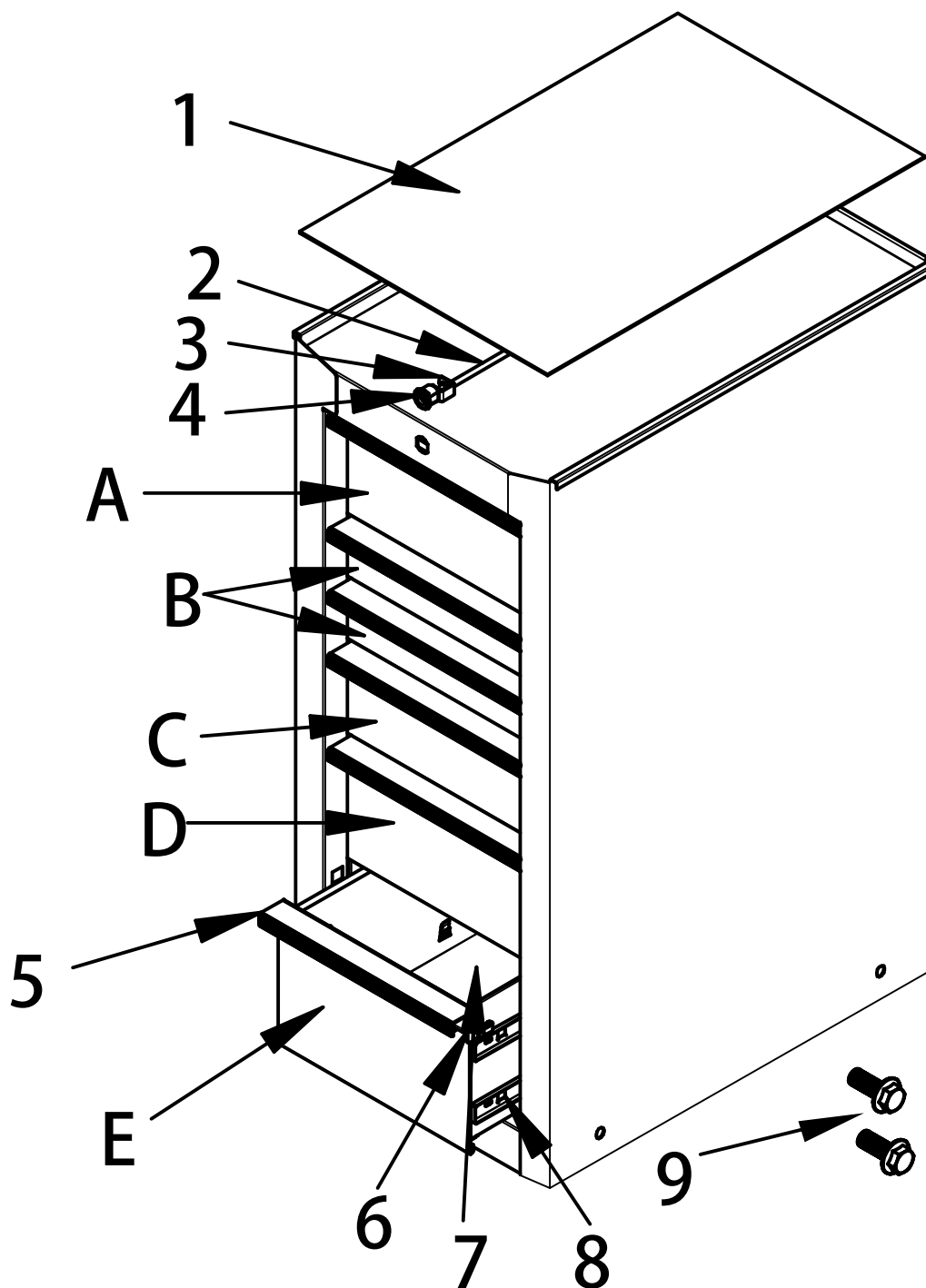
Black: 70350 UPC193175510839

Blue: 70351 UPC193175510846

Gray: 70353 UPC193175510853

# Assembly Diagram

---



## Limited 90 Day Warranty

Harbor Freight Tools Co. makes every effort to assure that its products meet high quality and durability standards, and warrants to the original purchaser that this product is free from defects in materials and workmanship for the period of 90 days from the date of purchase. This warranty does not apply to damage due directly or indirectly, to misuse, abuse, negligence or accidents, repairs or alterations outside our facilities, criminal activity, improper installation, normal wear and tear, or to lack of maintenance. We shall in no event be liable for death, injuries to persons or property, or for incidental, contingent, special or consequential damages arising from the use of our product. Some states do not allow the exclusion or limitation of incidental or consequential damages, so the above limitation of exclusion may not apply to you. THIS WARRANTY IS EXPRESSLY IN LIEU OF ALL OTHER WARRANTIES, EXPRESS OR IMPLIED, INCLUDING THE WARRANTIES OF MERCHANTABILITY AND FITNESS.

To take advantage of this warranty, the product or part must be returned to us with transportation charges prepaid. Proof of purchase date and an explanation of the complaint must accompany the merchandise. If our inspection verifies the defect, we will either repair or replace the product at our election or we may elect to refund the purchase price if we cannot readily and quickly provide you with a replacement. We will return repaired products at our expense, but if we determine there is no defect, or that the defect resulted from causes not within the scope of our warranty, then you must bear the cost of returning the product.

This warranty gives you specific legal rights and you may also have other rights which vary from state to state.

***U.S. GENERAL***

26677 Agoura Road • Calabasas, CA 91302 • 1-888-866-5797