

Owner's Manual & Safety Instructions

Save This Manual Keep this manual for the safety warnings and precautions, assembly, operating, inspection, maintenance and cleaning procedures. Write the product's serial number in the back of the manual near the assembly diagram (or month and year of purchase if product has no number). Keep this manual and the receipt in a safe and dry place for future reference.

23h

PREDATOR®

NATURAL GAS HOSE KIT



Visit our website at:
<http://www.harborfreight.com>

Email our technical support at:
productsupport@harborfreight.com

Email our engine support at:
predator@harborfreight.com

70491

WARNING: Improper installation, adjustment, alteration, service, or maintenance can cause injury or property damage. Refer to this manual. For assistance or additional information consult a qualified service technician, service agency, manufacturer, or the gas supplier.

FOR YOUR SAFETY IF YOU SMELL GAS:

1. Don't touch electrical switches.
2. Extinguish any open flame.
3. Immediately call your gas supplier.

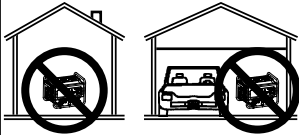
FOR YOUR SAFETY

Do not store gasoline or other flammable vapors and liquids in the vicinity of this or any other generator.

⚠ DANGER

Using a generator indoors CAN KILL YOU IN MINUTES.

Generator exhaust contains carbon monoxide. This is a poison you cannot see or smell.



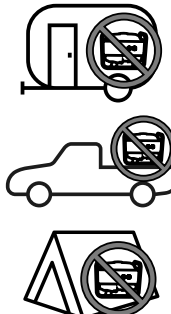
NEVER use inside a home or garage, EVEN IF doors and windows are open.



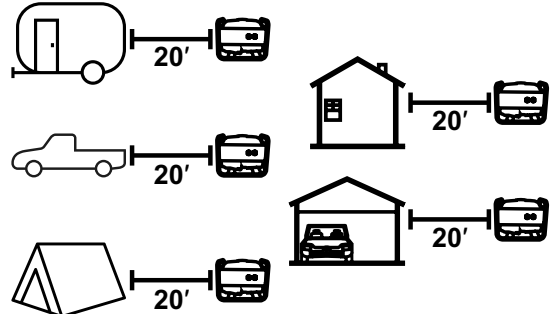
Only use OUTSIDE and far away from windows, doors, and vents.

⚠ DANGER

Do not use in trailers, truck beds, or tents.



Use at least 20 feet away from people, animals, and structures with exhaust pointed away. Generator will still produce carbon monoxide, even when burning LPG or NG.



When unpacking, make sure that the product is intact and undamaged. If any parts are missing or broken, please call 1-888-866-5797 as soon as possible.

⚠ WARNING

Read this material before using this product. Failure to do so can result in serious injury. SAVE THIS MANUAL.

Copyright© 2023 by Harbor Freight Tools®. All rights reserved.

No portion of this manual or any artwork contained herein may be reproduced in any shape or form without the express written consent of Harbor Freight Tools. Diagrams within this manual may not be drawn proportionally. Due to continuing improvements, actual product may differ slightly from the product described herein.

Tools required for assembly and service may not be included.



IF YOU SMELL GAS

- 1. NO FLAMES OR SPARKS!** Immediately put out all smoking materials and other open flames. Do not operate lights, appliances, telephones, or cell phones. Flames or sparks from these sources can trigger an explosion or a fire.
- 2. LEAVE THE AREA IMMEDIATELY!** Get everyone out of the area where you suspect gas is leaking.
- 3. SHUT OFF THE GAS.** Turn off the main gas supply valve on your propane tank if it is safe to do so. To close the valve, turn it to the right (clockwise).
- 4. REPORT THE LEAK.** From a neighbor's home or other nearby building away from the gas leak, call your local gas company right away. If you can't reach your gas company, call 911 or your local fire department.
- 5. GET YOUR SYSTEM CHECKED.** Before you attempt to use your generator, the gas company or a qualified service technician must check your entire system to ensure that it is leak-free.

CAN YOU SMELL IT?

Natural Gas itself is odorless and tasteless, but a chemical is added to give it an odor in order to help detect leaks quickly. Natural Gas is lighter than air and will collect in higher areas.



Since there is a possibility of odor loss or problems with your sense of smell, you should respond immediately to even a faint odor of gas.

NATURAL GAS DETECTORS

Under some circumstances, you may not smell a natural gas leak. Natural gas detectors sound an alarm if they sense natural gas in the air. They can provide an additional measure of security. You should consider the purchase of one or more detectors for your home.

GUIDELINES regarding natural gas detectors:

- Buy only units that are listed under the latest Underwriters Laboratories (UL) standard.
- Follow the manufacturer's instructions regarding installation and maintenance.
- Never ignore the smell of gas, even if no detector is sounding an alarm.

GENERATOR MAINTENANCE

LEAVE IT TO THE EXPERTS. Only a qualified service technician has the training to install, inspect, service, maintain, and repair your generator. Have your generator inspected just before the start of each heating season.

DO NOT TRY TO MODIFY OR REPAIR valves, regulators, connectors, controls, or other generator and cylinder/tank parts. Doing so creates the risk of a gas leak that can result in property damage, serious injury, or death.

CO AND YOUR SAFETY

WHAT IS CARBON MONOXIDE (CO)?

You can't taste or smell CO, but it is a very dangerous gas. High levels of CO can come from appliances that are not operating correctly, or from a venting system or chimney that becomes blocked.

CO CAN BE DEADLY! High levels of CO can make you dizzy or sick. In extreme cases, CO can cause brain damage or death. Symptoms of CO poisoning include: headache, dizziness, fatigue, shortness of breath, and nausea.



IF YOU SUSPECT CO IS PRESENT, ACT IMMEDIATELY!

1. If you or a family member shows physical symptoms of CO poisoning, get everyone out of the building and call 911 or your local fire department.
2. If it is safe to do so, open windows to allow entry of fresh air, and turn off any appliances you suspect may be releasing CO.
3. If no one has symptoms, but you suspect that CO is present, call your propane retailer or a qualified service technician to check CO levels and your propane equipment.

CO DETECTORS CAN IMPROVE SAFETY. For an extra measure of safety, consider installing a CO detector listed by UL on each level of your home.

TO HELP REDUCE THE RISK OF CO POISONING:

- Have a qualified service technician check your propane appliances and venting systems annually, preferably before the heating season.
- Install UL-listed CO detectors on every level of your home.
- Never use a gas oven or range-top burners to provide space heating.
- Never use a barbecue grill (propane or charcoal) indoors for cooking or heating.
- Regularly check your appliance exhaust vents for blockage.

IMPORTANT SAFETY INFORMATION

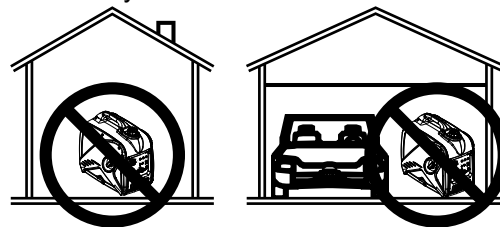
1. Product **MUST** be used with an appropriate shut-off valve.
2. Do not remove fittings from the ends of the hose.
3. Use this product only outdoors with a portable Natural Gas generator.
4. For use only with Natural Gas fuel.
5. Do not allow hose to come into contact with sharp objects or high temperature areas and surfaces.
6. Inspect before every use; do not use if parts are loose or damaged.
7. This product is not a toy. Do not allow children to play with or near this item.
8. Do not allow cleaning solutions or corrosive chemicals of any kind to come in contact with the hose. In the event of contact with the hose, rinse immediately with clean water and dry thoroughly.
9. Keep hose clean and free of oil.
10. Do not insert any object other than the matching plug into the quick-disconnect coupling. This may cause the coupling to leak, disconnect, or otherwise fail.
11. Do not allow the hose to be kinked, pinched, twisted, or torqued during installation.
12. Protect hose and fittings from dust and dirt while disconnected.
13. This hose is manufactured and listed in accordance with ANSI Z21.54/CSA 8.4 - Gas Hose Connectors For Portable Outdoor Gas-Fired Appliances. Check hose label for specific ANSI/CSA information.

14.

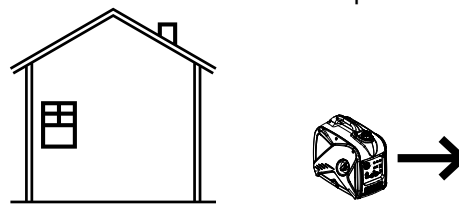


CARBON MONOXIDE HAZARD Using a generator indoors **CAN KILL YOU IN MINUTES.**

Generator exhaust contains carbon monoxide. This is a poison you cannot see or smell.



NEVER use inside a home or garage, **EVEN IF** doors and windows are open.



Only use **OUTSIDE** and far away from windows, doors, and vents.

15. Never use a generator indoors, including in garages, basements, crawl spaces and sheds. Opening doors and windows or using fans will **NOT** prevent carbon monoxide build up in the home.
16. When using generators, keep them outdoors and far away from open doors, windows, and vents to avoid toxic levels of carbon monoxide from building up indoors.
17. Install carbon monoxide alarm(s) with battery backup in nearby buildings according to manufacturer's instructions.
18. Maintain product labels and nameplates. These carry important safety information. If unreadable or missing, contact Harbor Freight Tools for a replacement.

Specifications

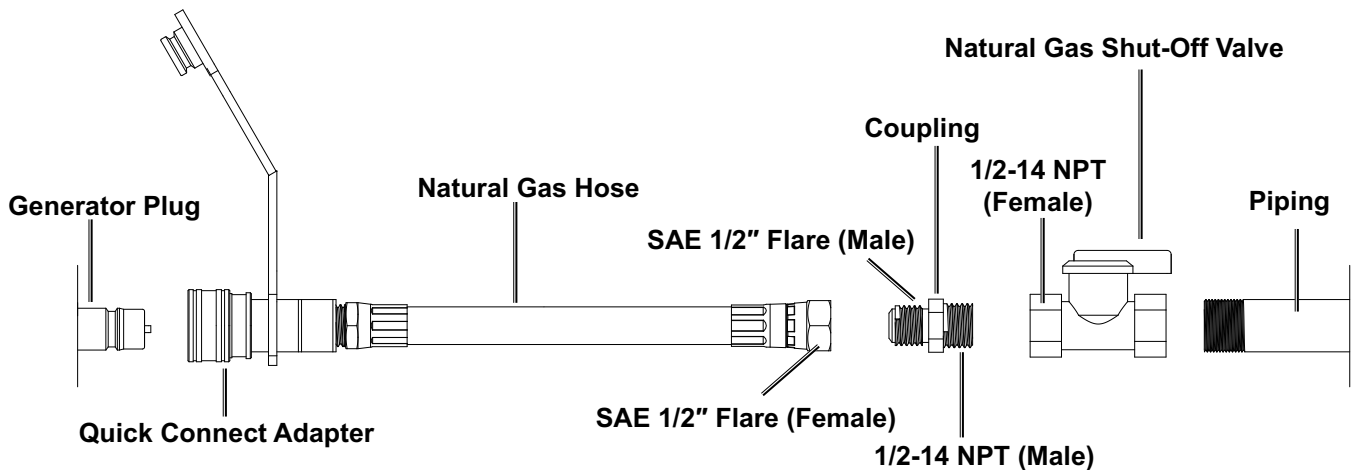
Hose Length	25 ft.
Operating Temperature	14°F - 104°F
Storage Temperature	-40°F - 130°F
Working Pressure	1/2 PSI
Maximum Flow Rate	135,000 BTU/hr
Weight	6.3 lbs.
Coupling Connections	SAE 1/2 Flare; 1/2 - 14 NPT

Connection Instructions



Read the **ENTIRE IMPORTANT SAFETY INFORMATION** section at the beginning of this document including all text under subheadings therein before set up or use of this product.

Connection Diagram



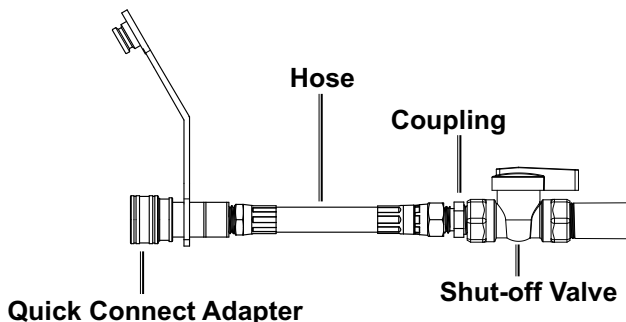
Connection Instructions

1. Make sure gas supply is turned off.
2. Connect Coupling to shut-off valve (not included), then connect hose assembly to Coupling.

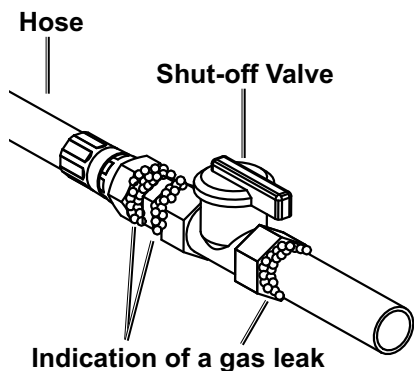
Note: Natural gas pipe sealant, joint compound, or the proper type of PTFE tape must be used **ONLY** for the connection from the Coupling to the shut-off valve.

Note: Thread size and type of each fitting must match with each other.

3. Check that all threaded connections are secure then turn on gas supply.

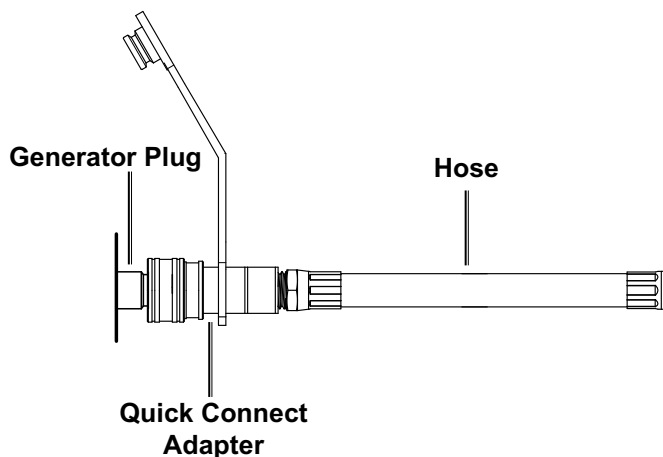


4. Check all connections and joints with ammonia-free soapy water solution or leak detection solution. Bubbles that appear to grow in size indicate a gas leak.



5. If a leak is detected, turn off gas and tighten fittings until bubbles do not appear at the joints. Reapply pipe sealant, joint compound, or PTFE tape between Coupling and shut-off valve as needed.

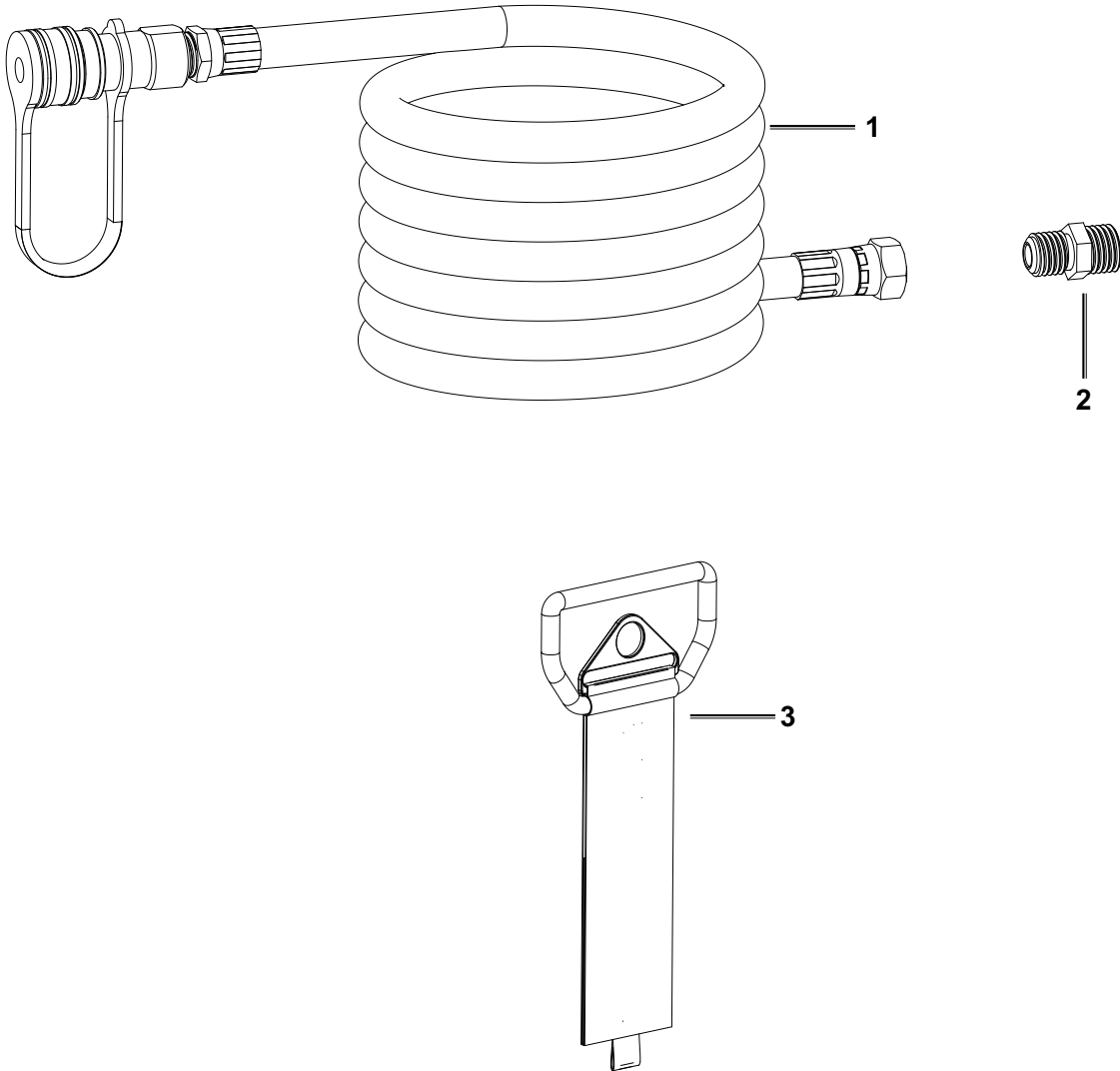
6. To connect the Hose to a generator, turn gas shut-off valve off, pull back on the sleeve of the adapter, and connect adapter to the generator plug. Release sleeve and make sure it snaps into the locked position.



7. Turn gas supply back on and repeat Steps 4 and 5 to check the connection between Hose and generator.
8. If a leak is detected at the Quick Connect Adapter check that it is fully engaged. If it is fully engaged but still leaking, turn off gas shut-off valve and do not use the Hose.

Parts List and Diagram

Part	Description	Qty
1	Natural Gas Hose	1
2	Coupling	1
3	Storage Strap	1



PLEASE READ THE FOLLOWING CAREFULLY

THE MANUFACTURER AND/OR DISTRIBUTOR HAS PROVIDED THE PARTS LIST AND ASSEMBLY DIAGRAM IN THIS DOCUMENT AS A REFERENCE TOOL ONLY. NEITHER THE MANUFACTURER OR DISTRIBUTOR MAKES ANY REPRESENTATION OR WARRANTY OF ANY KIND TO THE BUYER THAT HE OR SHE IS QUALIFIED TO MAKE ANY REPAIRS TO THE PRODUCT, OR THAT HE OR SHE IS QUALIFIED TO REPLACE ANY PARTS OF THE PRODUCT. IN FACT, THE MANUFACTURER AND/OR DISTRIBUTOR EXPRESSLY STATES THAT ALL REPAIRS AND PARTS REPLACEMENTS SHOULD BE UNDERTAKEN BY CERTIFIED AND LICENSED TECHNICIANS, AND NOT BY THE BUYER. THE BUYER ASSUMES ALL RISK AND LIABILITY ARISING OUT OF HIS OR HER REPAIRS TO THE ORIGINAL PRODUCT OR REPLACEMENT PARTS THERETO, OR ARISING OUT OF HIS OR HER INSTALLATION OF REPLACEMENT PARTS THERETO.

Record Serial Number Here:

Note: If product has no serial number, record month and year of purchase instead.

Note: Some parts are listed and shown for illustration purposes only, and are not available individually as replacement parts. Specify UPC 193175498786 when ordering parts.

Limited 90 Day Warranty

Harbor Freight Tools Co. makes every effort to assure that its products meet high quality and durability standards, and warrants to the original purchaser that this product is free from defects in materials and workmanship for the period of 90 days from the date of purchase. This warranty does not apply to damage due directly or indirectly, to misuse, abuse, negligence or accidents, repairs or alterations outside our facilities, criminal activity, improper installation, normal wear and tear, or to lack of maintenance. We shall in no event be liable for death, injuries to persons or property, or for incidental, contingent, special or consequential damages arising from the use of our product. Some states do not allow the exclusion or limitation of incidental or consequential damages, so the above limitation of exclusion may not apply to you. THIS WARRANTY IS EXPRESSLY IN LIEU OF ALL OTHER WARRANTIES, EXPRESS OR IMPLIED, INCLUDING THE WARRANTIES OF MERCHANTABILITY AND FITNESS.

To take advantage of this warranty, the product or part must be returned to us with transportation charges prepaid. Proof of purchase date and an explanation of the complaint must accompany the merchandise. If our inspection verifies the defect, we will either repair or replace the product at our election or we may elect to refund the purchase price if we cannot readily and quickly provide you with a replacement. We will return repaired products at our expense, but if we determine there is no defect, or that the defect resulted from causes not within the scope of our warranty, then you must bear the cost of returning the product.

This warranty gives you specific legal rights and you may also have other rights which vary from state to state.

PREDATOR®

26677 Agoura Road • Calabasas, CA 91302 • 1-888-866-5797