

Owner's Manual & Safety Instructions

Save This Manual Keep this manual for the safety warnings and precautions, assembly, operating, inspection, maintenance and cleaning procedures. Write the product's date code in the back of the manual near the assembly diagram (or month and year of purchase if product has no number). Keep this manual and the receipt in a safe and dry place for future reference.

25e

PITTSBURGH™

DUAL POWER

HOME 120V/AUTO 12V

TIRE INFLATOR WITH LED LIGHT



Visit our website at: <https://www.harborfreight.com>
Email our technical support at: productsupport@harborfreight.com

When unpacking, make sure that the product is intact and undamaged. If any parts are missing or broken, please call 1-800-444-3353 as soon as possible.

Copyright © 2025 by Harbor Freight Tools®. All rights reserved.
No portion of this manual or any artwork contained herein may be reproduced in any shape or form without the express written consent of Harbor Freight Tools. Diagrams within this manual may not be drawn proportionally. Due to continuing improvements, actual product may differ slightly from the product described herein.
Tools required for assembly and service may not be included.

⚠ WARNING






Read this material before using this product.
Failure to do so can result in serious injury.
SAVE THIS MANUAL.

Table of Contents

Safety	2	Maintenance	10
Specifications	6	Parts List and Diagram	11
Operation	7	Warranty	12

PITTSBURGH[™]

WARNING SYMBOLS AND DEFINITIONS

	This is the safety alert symbol. It is used to alert you to potential personal injury hazards. Obey all safety messages that follow this symbol to avoid possible injury or death.
	Indicates a hazardous situation which, if not avoided, will result in death or serious injury.
	Indicates a hazardous situation which, if not avoided, could result in death or serious injury.
	Indicates a hazardous situation which, if not avoided, could result in minor or moderate injury.
	Addresses practices not related to personal injury.

IMPORTANT SAFETY INFORMATION

General Safety Warnings



WARNING Read all safety warnings and instructions.

Failure to follow the warnings and instructions may result in electric shock, fire and/or serious injury.
Save all warnings and instructions for future reference.

The warnings, precautions, and instructions discussed in this instruction manual cannot cover all possible conditions and situations that may occur. It must be understood by the operator that common sense and caution are factors which cannot be built into this product, but must be supplied by the operator.

1. **Work area safety**
 - a. **Keep work area clean and well lit.**
Cluttered or dark areas invite accidents.
 - b. **Do not operate the Inflator in explosive atmospheres, such as in the presence of flammable liquids, gases or dust.**
Inflator motors produce sparks which may ignite the dust or fumes.
 - c. **Keep children and bystanders away from an operating Inflator.**
2. **Electrical safety**
 - a. **Inflator plugs must match the outlet. Never modify the plug in any way. Do not use any adapter plugs with grounded Inflators.** Standard plugs and matching outlets will reduce risk of electric shock.
 - b. **Do not expose Inflator to rain or wet conditions.** Water entering a Inflator will increase the risk of electric shock.
 - c. **Do not abuse the cord. Never use the cord for unplugging the Inflator. Keep cord away from heat, oil, sharp edges or moving parts.** Damaged or entangled cords increase the risk of electric shock.
3. **Personal safety**
 - a. **Stay alert, watch what you are doing and use common sense when operating this Inflator. Do not use this Inflator while you are tired or under the influence of drugs, alcohol or medication.** A moment of inattention while operating a inflator may result in serious personal injury.
 - b. **Use personal protective equipment. Always wear ANSI-approved eye protection during setup and use.**
 - c. **Prevent unintentional starting. Ensure the switch is in the off-position before connecting to power source or moving the inflator.**
4. **Inflator use and care**
 - a. **Do not use the inflator if the switch does not turn it on and off.** Any inflator that cannot be controlled with the switch is dangerous and must be repaired.
 - b. **Disconnect the plug from the power source before making any adjustments, changing accessories, or storing the inflator.** Such preventive safety measures reduce the risk of starting the inflator accidentally.
 - c. **Store an idle inflator out of the reach of children and do not allow persons unfamiliar with the inflator or these instructions to operate it.** A inflator is dangerous in the hands of untrained users.
 - d. **Maintain the inflator. Keep the inflator clean for better and safer performance. Follow instructions for lubricating and changing accessories. Keep dry, clean and free from oil and grease. Check for misalignment or binding of moving parts, breakage of parts and any other condition that may affect the inflator's operation. If damaged, have the inflator repaired before use.** Many accidents are caused by a poorly maintained inflator.
 - e. **Use the inflator in accordance with these instructions, taking into account the working conditions and the work to be performed.** Use of the inflator for operations different from those intended could result in a hazardous situation.
5. **Service**
 - a. **Have your inflator serviced by a qualified repair person using only identical replacement parts.** This will ensure that the safety of the inflator is maintained.

Air Inflator Safety Warnings

SAFETY

SETUP

OPERATION

MAINTENANCE

1. **Risk of fire or explosion - do not spray flammable liquid in a confined area or towards a hot surface. Spray area must be well-ventilated. Do not smoke while spraying or spray where spark or flame is present. Arcing parts - keep inflator at least 20 feet away from explosive vapors, such as when spraying with a spray gun.**
2. **Risk of bursting - do not adjust regulator higher than marked maximum pressure of attachment.**
3. **Risk of injury - do not direct air stream at people or animals.**
4. **Do not use to supply breathing air.**
5. **Do not leave inflator unattended for an extended period while plugged in. Unplug inflator after working.**
6. Start and run the vehicle engine during inflation period.
7. **Do not leave inflator plugged in while starting vehicle or while vehicle's engine is off.** Low voltage during these circumstances will increase heat in the wiring and may blow the fusible link in the receptacle or another fuse.
8. Check vehicle manual to ensure the cigarette lighter receptacle is rated at 15 amps or greater. Do not use a socket extension or pigtail to operate this Inflator.
9. Keep inflator well-ventilated. Do not cover inflator during use.
10. Do not remove the valve cover or adjust internal components.
11. Inflator head gets hot during operation. Do not touch it or allow children nearby during or immediately following operation.
12. Do not use the air hose to move the inflator.
13. The use of accessories or attachments not recommended by the manufacturer may result in a risk of injury to persons.
14. All air line components, including hoses, pipe, connectors, filters, etc., must be rated for a minimum working pressure of 150 PSI, or 150% of the maximum system pressure, whichever is greater.
15. USE OF AN EXTENSION CORD IS NOT RECOMMENDED. If you choose to use an extension cord, use the following guidelines:

TABLE A: RECOMMENDED MINIMUM WIRE GAUGE FOR EXTENSION CORDS (120 VOLT)				
NAMEPLATE AMPERES (at full load)	EXTENSION CORD LENGTH			
	25'	50'	100'	150'
0 – 6	18	16	16	14
6.1 – 10	18	16	Do not use.	
10.1 – 12	16	16	Do not use.	
12.1 – 16	14	12	Do not use.	

 - a. Make sure your extension cord is in good condition.
 - b. Be sure to use an extension cord which is heavy enough to carry the current your product will draw. An undersized cord will cause a drop in line voltage resulting in loss of power and overheating. Table A shows the correct size to use depending on cord length and nameplate ampere rating. If in doubt, use the next heavier gauge. The smaller the gauge number, the heavier the cord.
16. Maintain labels and nameplates on the inflator. These carry important safety information. If unreadable or missing, contact Harbor Freight Tools for a replacement.
17. This product is not a toy. Keep it out of reach of children.
18. Operate unit on level surface.
19. People with pacemakers should consult their physician(s) before use. Electromagnetic fields in close proximity to heart pacemaker could cause pacemaker interference or pacemaker failure.



SAVE THESE INSTRUCTIONS.

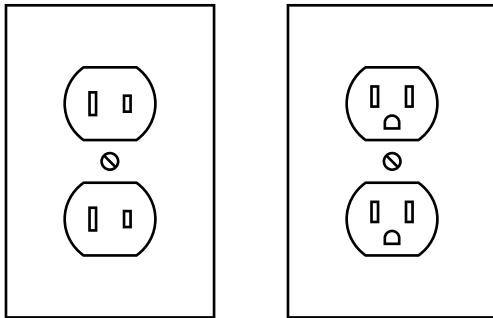
⚠️ WARNING



TO PREVENT ELECTRIC SHOCK AND DEATH FROM INCORRECT GROUNDING WIRE CONNECTION:

Check with a qualified electrician if you are in doubt as to whether the outlet is properly grounded. Do not modify the power cord plug provided with the compressor. Do not use the compressor if the power cord or plug is damaged. If damaged, have it repaired by a service facility before use. If the plug will not fit the outlet, have a proper outlet installed by a qualified electrician.

110-120 VAC Double Insulated Compressors: Compressors with Two Prong Plugs



Outlets for 2-Prong Plug

1. To reduce the risk of electric shock, double insulated equipment has a polarized plug (one blade is wider than the other). This plug will fit in a polarized outlet only one way. If the plug does not fit fully in the outlet, reverse the plug. If it still does not fit, contact a qualified electrician to install the proper outlet. Do not change the plug in any way.
2. Double insulated Compressors may be used in either of the 120 volt outlets shown in the preceding illustration. (See Outlets for 2-Prong Plug.)

Symbology

PSI	Pounds per square inch of pressure
CFM	Cubic Feet per Minute flow
SCFM	Cubic Feet per Minute flow at standard conditions
NPT	National pipe thread, tapered
NPS	National pipe thread, straight

	Double Insulated
V	Volts
	Alternating Current
A	Amperes

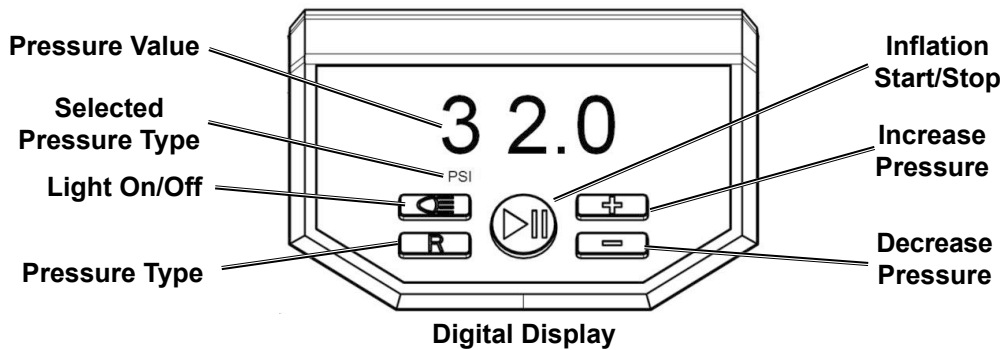
Specifications

Electrical Rating	12VDC, Max. 10A, 120VAC, 60Hz, 120W
Maximum Air Pressure	120 PSI
Current Draw	0 PSI current draw: 1.007A (120VAC), 4.29A (12VDC) 60 PSI current draw: 1.67A (120VAC), 7.12A (12VDC)
Duty Cycle	10 minutes ON, 10 minutes OFF
Air Flow Capacity	120VAC: 0.531 CFM (@ 0 PSI), 12VDC: 0.483 CFM (@ 0 PSI)

Components and Controls



Digital Display



Operating Instructions



Read the **ENTIRE IMPORTANT SAFETY INFORMATION** section at the beginning of this manual including all text under subheadings therein before set up or use of this product.

Connecting Power Cord

WARNING! TO PREVENT SERIOUS INJURY AND DAMAGE TO THE INFLATOR: CONNECT ONLY ONE POWER CORD A TIME.

1. If using 120VAC power cord, connect it to a 120V grounded AC outlet and the other end to the Inflator. Be sure it is well seated in its connector.

2. If using 12VDC power cord, connect it to the vehicle's 12VDC socket and the other end to the Inflator. Be sure it is well seated in its connector.

Note: The Inflator will power on and the Digital Display will illuminate once the power cord is connected.

Note: The Inflator is protected by an under voltage protection control. It is recommended your vehicle be running to ensure maximum voltage.

Inflating Vehicle Tire

1. Choose one power cord and connect it to the inflator. Disconnect any other power cord.
2. Unwind Air Hose from Inflator.
3. Remove cap from tire's valve stem and put aside. Be sure the valve stem is clean and free of dirt.
4. Holding the Air Nozzle grip, connect the nozzle to the tire's valve stem. Ensure the threaded section of the valve is inside the Air Nozzle and then press the clamp down so it's locked parallel to the air hose.



Valve Stem

Cap

Note: Measurement type (PSI, BAR, KPA, or KG/CM²) is selected by pressing the Pressure Type button. Selection is seen on the Digital Display.

7. Press the Inflation Start/Stop button to start inflation. The Inflator will monitor the pressure output and will automatically stop when the preset value is achieved.
8. Monitor the Digital Display carefully to avoid over-inflating the tire. If necessary, press the Inflation Start/Stop button to stop inflation.

CAUTION! Do not inflate tire beyond the manufacturer's pressure rating.

CAUTION! Avoid over-heating the Inflator. Inflator should not run continuously for more than 10 minutes. Stop the Inflator by pressing the Inflation Start/Stop button and let it cool for 10 minutes before resuming.

Note: If the current pressure of the item is greater than the preset level, the Inflator will not run.

5. When power is connected, the display will illuminate and show the current pressure of the tire.
6. Preset pressure by pressing the Increase/Decrease Pressure buttons until the desired value is shown on the Digital Display. Refer to tire manufacturer for recommended pressure.

9. Remove the Air Nozzle from the tire's valve stem.
10. Verify pressure with a pressure gauge (sold separately), then replace the tire's valve cap.

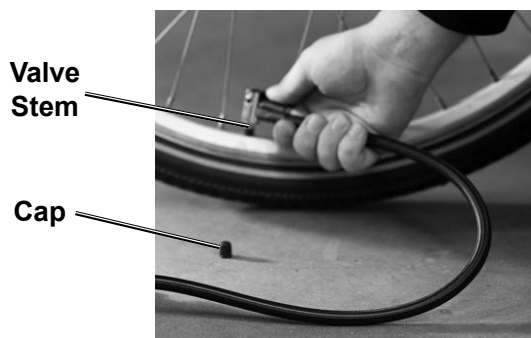
CAUTION! The metal parts of the inflator and hose will become hot during use. Do not touch them.

11. When finished, unplug the power cord.
12. Allow the Inflator to cool, then wipe external surfaces with a clean cloth. Return Air Hose to its storage position.

13. Store in a clean, dry, safe location out of the reach of children.

Inflating Bike Tire

1. Choose one power cord and connect it to the inflator. Disconnect any other power cord.
2. Unwind Air Hose from Inflator.
3. Remove cap from tire's valve stem and put aside. Be sure the valve stem is clean and free of dirt.
4. Holding the Air Nozzle grip, connect the Nozzle to the tire's valve stem. Ensure the threaded section of the valve is inside the Air Nozzle and then press the clamp down so it's locked parallel to the air hose.

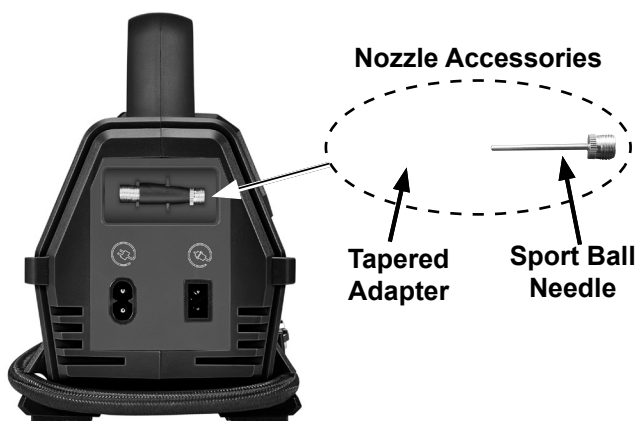


5. When power is connected, the display will illuminate and show the current pressure of the tire.
6. Preset pressure by pressing the Increase/Decrease Pressure buttons until the desired value is shown on the Digital Display. Refer to tire manufacturer for recommended pressure.

Note: Measurement type (PSI, BAR, KPA, or KG/CM²) is selected by pressing the Pressure Type button. Selection is seen on the Digital Display.

Inflating Ball or Item with Pinch Valve

1. Choose one power cord and connect it to the inflator. Disconnect any other power cord.
2. Unwind Air Hose from Inflator.
3. Remove Nozzle Accessories from Inflator and separate the adapters. Attach desired adapter to Air Nozzle



7. Press the Inflation Start/Stop button to start inflation. The Inflator will monitor the pressure output and will automatically stop when the preset value is achieved.
8. Monitor the Digital Display carefully to avoid over-inflating the tire. If necessary, press the Inflation Start/Stop button to stop inflation.

CAUTION! Do not inflate tire beyond the manufacturer's pressure rating.

CAUTION! Avoid over-heating the Inflator. Inflator should not run continuously for more than 10 minutes. Stop the Inflator by pressing the Inflation Start/Stop button and let it cool for 10 minutes before resuming.

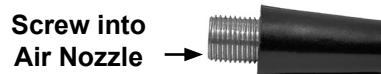
Note: If the current pressure of the item is greater than the preset level, the Inflator will not run.

9. Remove the Air Nozzle from the tire's valve stem.
10. Verify pressure with a pressure gauge (sold separately), then replace the tire's valve cap.

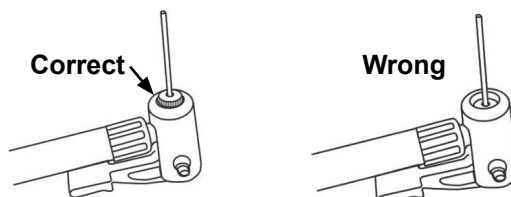
CAUTION! The metal parts of the inflator and hose will become hot during use. Do not touch them.

11. When finished, unplug the power cord.
12. Allow the Inflator to cool, then wipe external surfaces with a clean cloth. Return Air Hose to its storage position.
13. Store in a clean, dry, safe location out of the reach of children.

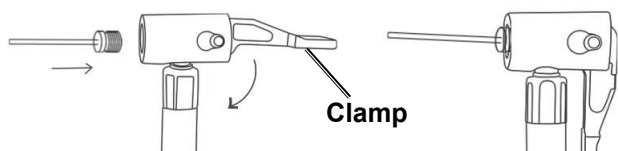
- a. Use **Tapered Adapter** on pinch valves.



- b. Use **Sport Ball Needle** on sport balls. Screw threaded end of needle into the Air Nozzle. Ensure the vent hole of the needle is not blocked by leaving a few threads exposed.



- c. Once the accessory is attached, press the clamp down.



4. When power is connected, the display will illuminate and show the current pressure of the item.
5. Preset pressure by pressing the Increase/Decrease Pressure buttons until the desired value is shown on the Digital Display. Refer to tire manufacturer for recommended pressure.

Note: Measurement type (PSI, BAR, KPA, or KG/CM²) is selected by pressing the Pressure Type button. Selection is seen on the Digital Display.

6. Be sure the pinch valve/valve opening on the item you wish to inflate is clean and free of dirt.
7. Apply the Adapter over the pinch valve or insert Needle into the valve opening.

Air Nozzle with Sport Ball Needle



Operating the Light

1. When a power source is connected, the display will illuminate.
2. Press the Light On/Off button to turn on the Light.

8. Press the Inflation Start/Stop button to start inflation. The Inflator will monitor the pressure output and will automatically stop when the preset value is achieved.
9. Monitor the Digital Display carefully to avoid over-inflating the item. If necessary, press the Inflation Start/Stop button to stop inflation.

CAUTION! Do not inflate beyond the manufacturer's inflation rating.

CAUTION! Avoid bursting the item. Do not over inflate. When inflating low pressure items, inflate in short bursts and check with pressure gauge (sold separately).

CAUTION! Avoid over-heating the Inflator. Inflator should not run continuously for more than 10 minutes. Stop the Inflator by pressing the Inflation Start/Stop button and let it cool for 10 minutes before resuming.

Note: If the current pressure of the item is greater than the preset level, the Inflator will not run.

10. Remove the Adapter/Needle from the item and then remove it from the Air Nozzle. Return Accessory to storage area on Inflator.

CAUTION! The metal parts of the inflator and hose will become hot during use. Do not touch them.

11. When finished, unplug the power cord.
12. Allow the Inflator to cool, then wipe external surfaces with a clean cloth. Return Air Hose to its storage position.
13. Store in a clean, dry, safe location out of the reach of children.

3. Press the button again to turn the Light off.
4. Disconnect power cord from the Inflator.

Record Product's Date Code Here: _____

Note: If product has no date code, record month and year of purchase instead.

Note: Some parts are listed and shown for illustration purposes only, and are not available individually as replacement parts. Specify UPC 193175560810 when ordering parts.

Maintenance and Servicing



Procedures not specifically explained in this manual must be performed only by a qualified technician.

WARNING

TO PREVENT INJURY FROM ACCIDENTAL OPERATION:

Disconnect the power cord before performing any inspection, maintenance, or cleaning procedures.

TO PREVENT SERIOUS INJURY FROM INFLATOR FAILURE:

Do not use damaged equipment. If abnormal noise or vibration occurs, have the problem corrected before further use.

Cleaning, Maintenance, and Lubrication

- BEFORE EACH USE**, inspect the general condition of the Inflator. Check for:
 - loose hardware,
 - misalignment or binding of parts,
 - cracked or broken parts,
 - damaged electrical wiring, and
 - any other condition that may affect its safe operation.
- AFTER USE**, allow the unit to cool, then wipe external surfaces of the inflator with a clean cloth.
- Store the Inflator in a clean, dry, safe location out of reach of children and other unauthorized people.

Troubleshooting

Problem	Possible Causes	Likely Solutions
Decreased output	<ol style="list-style-type: none">1. Not enough air pressure and/or air flow.2. Air leaking from loose housing or connections.3. Mechanism contaminated.	<ol style="list-style-type: none">1. Check for loose connections.2. Make sure housing and connections are properly assembled and tight.3. Have qualified technician clean and where possible, lubricate mechanism.
Severe air leakage (Slight air leakage is normal, especially on older tools)	<ol style="list-style-type: none">1. Cross-threaded housing components.2. Loose housing.3. Dirty, worn or damaged valve.	<ol style="list-style-type: none">1. Check for incorrect alignment and uneven gaps. If cross-threaded, disassemble and replace damaged parts before use.2. Tighten housing assembly. If housing cannot be tightened properly, internal parts may be misaligned.3. Clean or replace valve assembly.
No output	<ol style="list-style-type: none">1. Poor connection.2. Failed motor.	<ol style="list-style-type: none">1. Check that power cord is completely inserted.2. Have qualified technician service unit.
Digital Display error code LO	Voltage dropped below rated level to power inflator.	Ensure vehicle is running and battery is fully charged while inflator is powered on through the DC connection.
Digital Display error code E03	<ol style="list-style-type: none">1. No increase in air pressure is detected within 1 minute during inflation process.2. Valve joint is not connected to tire when inflator is on.3. Tire is leaking air and air pressure rise is not detected.	<ol style="list-style-type: none">1. Unplug inflator from power source for 5 seconds then plug back in and restart.2. Check connection points to ensure no leaks.3. Check tire for leaks.



Follow all safety precautions whenever diagnosing or servicing the tool.

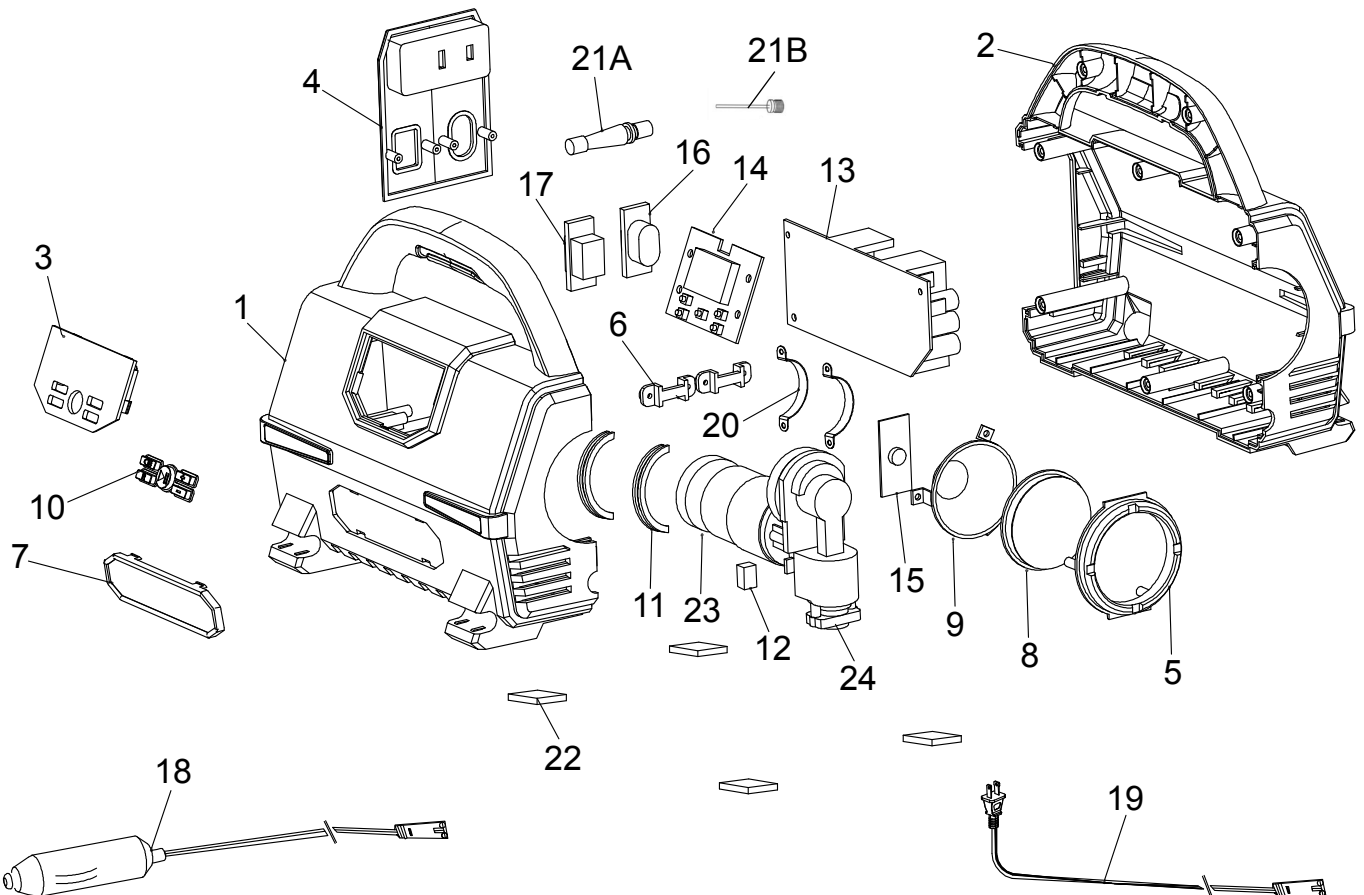
PLEASE READ THE FOLLOWING CAREFULLY

THE MANUFACTURER AND/OR DISTRIBUTOR HAS PROVIDED THE PARTS LIST AND ASSEMBLY DIAGRAM IN THIS MANUAL AS A REFERENCE TOOL ONLY. NEITHER THE MANUFACTURER OR DISTRIBUTOR MAKES ANY REPRESENTATION OR WARRANTY OF ANY KIND TO THE BUYER THAT HE OR SHE IS QUALIFIED TO MAKE ANY REPAIRS TO THE PRODUCT, OR THAT HE OR SHE IS QUALIFIED TO REPLACE ANY PARTS OF THE PRODUCT. IN FACT, THE MANUFACTURER AND/OR DISTRIBUTOR EXPRESSLY STATES THAT ALL REPAIRS AND PARTS REPLACEMENTS SHOULD BE UNDERTAKEN BY CERTIFIED AND LICENSED TECHNICIANS, AND NOT BY THE BUYER. THE BUYER ASSUMES ALL RISK AND LIABILITY ARISING OUT OF HIS OR HER REPAIRS TO THE ORIGINAL PRODUCT OR REPLACEMENT PARTS THERETO, OR ARISING OUT OF HIS OR HER INSTALLATION OF REPLACEMENT PARTS THERETO.

Parts List and Diagram

Part	Description	Qty
1	Front Housing	1
2	Rear Housing	1
3	Control Panel	1
4	Side Plate	1
5	Light Ring	1
6	Pressing Plate	2
7	Nameplate	1
8	Light Cover	1
9	Light Bowl	1
10	Keypad	1
11	Motor Shock Pad	2
12	Bracket Shock Pad	1
13	Power Panel	1

Part	Description	Qty
14	Digital Display	1
15	Light Panel	1
16	AC Outlet	1
17	DC Outlet	1
18	12 VDC Power Cord	1
19	120 VAC Power Cord	1
20	Motor Pressure Plate	3
21A	Tapered Adapter	1
21B	Sport Ball Needle	1
22	Rubber Foot	4
23	Motor	1
24	Movement Support Assembly	1
25	Air Hose and Nozzle (not shown)	1



Limited 90 Day Warranty

Harbor Freight Tools Co. makes every effort to assure that its products meet high quality and durability standards, and warrants to the original purchaser that this product is free from defects in materials and workmanship for the period of 90 days from the date of purchase. This warranty does not apply to damage due directly or indirectly, to misuse, abuse, negligence or accidents, repairs or alterations outside our facilities, criminal activity, improper installation, normal wear and tear, or to lack of maintenance. We shall in no event be liable for death, injuries to persons or property, or for incidental, contingent, special or consequential damages arising from the use of our product. Some states do not allow the exclusion or limitation of incidental or consequential damages, so the above limitation of exclusion may not apply to you. THIS WARRANTY IS EXPRESSLY IN LIEU OF ALL OTHER WARRANTIES, EXPRESS OR IMPLIED, INCLUDING THE WARRANTIES OF MERCHANTABILITY AND FITNESS.

To take advantage of this warranty, the product or part must be returned to us with transportation charges prepaid. Proof of purchase date and an explanation of the complaint must accompany the merchandise. If our inspection verifies the defect, we will either repair or replace the product at our election or we may elect to refund the purchase price if we cannot readily and quickly provide you with a replacement. We will return repaired products at our expense, but if we determine there is no defect, or that the defect resulted from causes not within the scope of our warranty, then you must bear the cost of returning the product.

This warranty gives you specific legal rights and you may also have other rights which vary from state to state.

PITTSBURGH[™]

26677 Agoura Road • Calabasas, CA 91302 • 1-800-444-3353