



ROLLING WORK SEAT

Model 91495

ASSEMBLY INSTRUCTIONS



Visit our website at: <http://www.harborfreight.com>



**Read this material before using this product.
Failure to do so can result in serious injury.
SAVE THIS MANUAL.**

Copyright© 2006 by Harbor Freight Tools®. All rights reserved. No portion of this manual or any artwork contained herein may be reproduced in any shape or form without the express written consent of Harbor Freight Tools. Diagrams within this manual may not be drawn proportionally. Due to continuing improvements, actual product may differ slightly from the product described herein. Tools required for assembly and service may not be included.

For technical questions or replacement parts, please call 1-800-444-3353.

Revised Manual 09j

Specifications

Construction	Heavy-Duty Tube/Formed Steel w/Polypropylene Plastic Tray
Finish	Green Powder Coated
Wheels	Four 10" Dia. Pneumatic Tires w/Ball Bearing Wheels - 30 PSI
Seat Type	Bucket /Tractor Type - 13-1/4" L x 17" W x 7-1/2" H
Overall Dimension	33" L x 17-1/2" W x 23" H
Tray Dimension	17" L x 15-1/2" W x 3" D
Overall Weight	30 Lbs.
Max. Weight Capacity	300 Lbs.

Save This Manual

You will need the manual for the safety warnings and precautions, assembly instructions, operating and maintenance procedures, parts list and diagram. Keep your invoice with this manual. Write the invoice number on the inside of the front cover. Keep the manual and invoice in a safe and dry place for future reference.

Safety Warnings and Precautions

WARNING: When assembling and using this product basic safety precautions should always be followed to reduce the risk of personal injury and damage to equipment.

Read all instructions before using this product!

1. **Keep work area clean.** Cluttered areas invite injuries.
2. **Keep children away.** Children must never be allowed in the work area. Do not let children play with this product. This is not a toy.
3. **Dress properly.** Do not wear loose clothing or jewelry as they can be caught in moving parts. Protective, electrically nonconductive clothes and nonskid footwear are recommended when working with this product. Wear restrictive hair covering to contain long hair.
4. **Use eye and ear protection.** Always wear ANSI approved impact safety goggles when assembling this product.
5. **Do not overreach.** Keep proper footing and balance at all times when assembling this product.
6. **Replacement parts.** When servicing, use only identical replacement parts. Use of any other parts will void the warranty. Check for loose or worn parts before each use.

Warning: The warnings, cautions, and instructions discussed in this instruction manual cannot cover all possible conditions and situations that may occur. It must be understood by the operator that common sense and caution are factors which cannot be built into this product, but must be supplied by the operator.

Assembly Instructions

1. Assemble all parts on a smooth surface to avoid scratching. Sort and identify all parts. Additional tools will be necessary to assemble the Rolling Work Seat. (Tools not included).
2. Matching up all the predrilled holes, attach the Tray Bracket (2) to the Frame (1), the Plastic Tray (4) and the Reinforcing Plate (3) using the Screws (14), Small Washers (11), Lock Washers (12), and Small Nuts (15). Tighten hardware. **See Assembly Drawing, page 4.**

Tray (4)

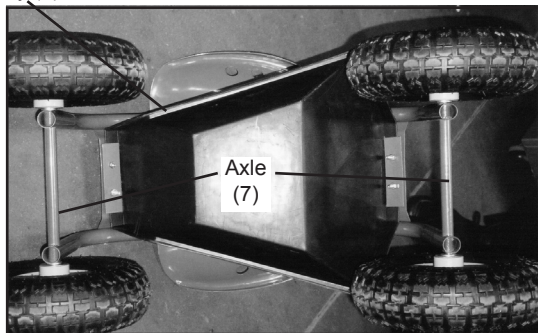


Figure A

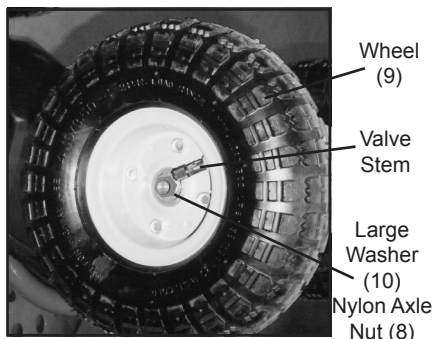


Figure B

3. Slide both Axles (7) into the Frame (1). Slide the Wheel (9) (be sure the valve stem is facing out) and then a Large Washer (10) onto the Axle. Thread a Nylon Axle Nut (8) onto the end of the axle and tighten, leaving enough space to permit the wheel to turn freely. Repeat for all Wheels. **See Figures A & B.**
4. Be sure the Adjustment Lever (18) is screwed onto Seat Post (6). The Seat (5) is attached to the Seat Post (6) with four Tapered Bolts (16) and Flange Nuts (17). Twist Seat (5) and Seat Post (6) assembly into the Frame (1) clockwise. The threaded Post needs to be seen from below the Frame. Insert the Cotter Pin (11) through hole in the Post. Spread open the Cotter Pin (11). **See Figures C & D.**

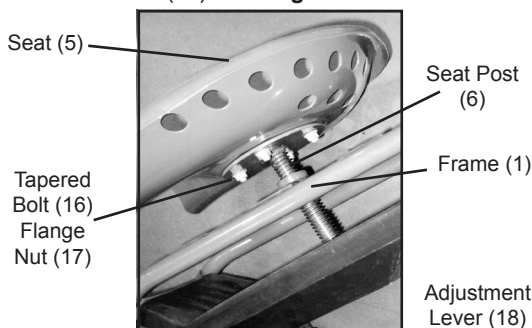


Figure C



Figure D

5. Loosen Adjustment Lever (18) to set the desired height. Adjust Seat height by rotating the Seat in the Frame. Rotate Adjustment Lever (18) to lock seat post in position. The Adjustment Lever (18) will prevent the Seat from lowering beyond the desired height. Before each use, check the Seat (5) to make sure that the Seat is securely in place with all hardware tightened down. **Caution: Do not use the Rolling Work Seat on inclines. Do not load Tray (4) with more than 5 lbs. Maximum weight for Seat (5) is 300 lbs. This product is not for use by children.**

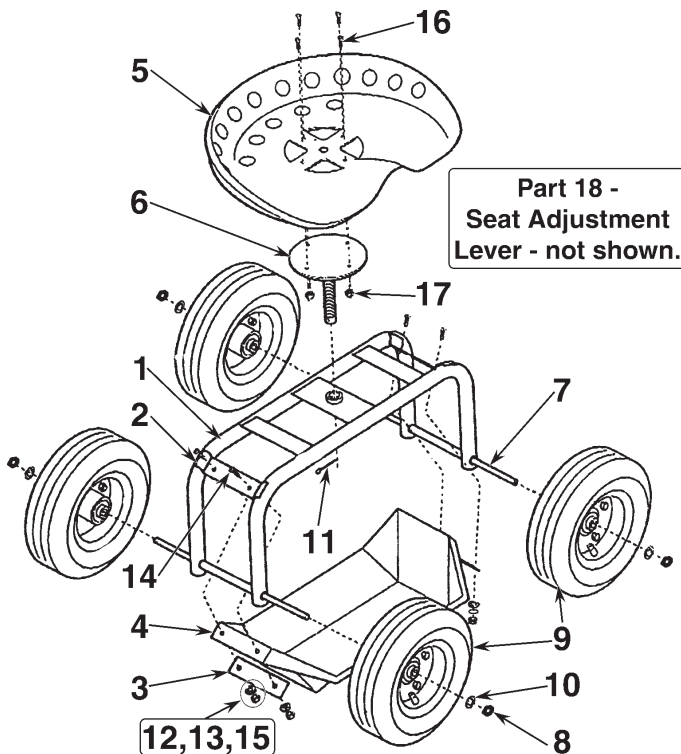
Caution: Be aware of dynamic loading!

DO NOT EXCEED THE RECOMMENDED PRODUCT WEIGHT CAPACITY. Doing so can result in personal injury and/or damage to the product. If you sit down quickly onto the Work Seat, it may create for a brief instant, an excess load, which may result in damage to the Work Seat and/or personal injury.

Parts List

Part	Description	Q'ty
1	Frame	1
2	Tray Bracket	2
3	Reinforcing Plate	2
4	Plastic Tray	1
5	Seat	1
6	Seat Post	1
7	Axle	2
8	Nylon Axle Nut	4
9	Wheel	4
10	Large Washer (8 mm ID flat)	4
11	Cotter Pin	1
12	Small Washer	4
13	Lock Washer	4
14	Screw	4
15	Small Nut	4
16	Tapered Bolt	4
17	Flange Nut	4
18	Seat Adjustment Lever	1

Assembly Drawing



NOTE: Some parts are listed and shown for illustration purposes only and are not available individually as replacement parts.

PLEASE READ THE FOLLOWING CAREFULLY

THE MANUFACTURER AND/OR DISTRIBUTOR HAS PROVIDED THE PARTS DIAGRAM IN THIS MANUAL AS A REFERENCE TOOL ONLY. NEITHER THE MANUFACTURER NOR DISTRIBUTOR MAKES ANY REPRESENTATION OR WARRANTY OF ANY KIND TO THE BUYER THAT HE OR SHE IS QUALIFIED TO MAKE ANY REPAIRS TO THE PRODUCT OR THAT HE OR SHE IS QUALIFIED TO REPLACE ANY PARTS OF THE PRODUCT. IN FACT, THE MANUFACTURER AND/OR DISTRIBUTOR EXPRESSLY STATES THAT ALL REPAIRS AND PARTS REPLACEMENTS SHOULD BE UNDERTAKEN BY CERTIFIED AND LICENSED TECHNICIANS AND NOT BY THE BUYER. THE BUYER ASSUMES ALL RISK AND LIABILITY ARISING OUT OF HIS OR HER REPAIRS TO THE ORIGINAL PRODUCT OR REPLACEMENT PARTS THERETO, OR ARISING OUT OF HIS OR HER INSTALLATION OF REPLACEMENT PARTS THERETO.