



30" MAGNETIC SWEEPER WITH WHEELS

Model 93245

ASSEMBLY AND OPERATING INSTRUCTIONS



Visit our website at: <http://www.harborfreight.com>



Read this material before using this product.

Failure to do so can result in serious injury.

SAVE THIS MANUAL.

Copyright© 2005 by Harbor Freight Tools®. All rights reserved. No portion of this manual or any artwork contained herein may be reproduced in any shape or form without the express written consent of Harbor Freight Tools. Diagrams within this manual may not be drawn proportionally. Due to continuing improvements, actual product may differ slightly from the product described herein. Tools required for assembly and service may not be included.

For technical questions or replacement parts, please call 1-800-444-3353.

THANK YOU for choosing a **HARBOR FREIGHT TOOLS** product. For future reference, please complete the owner's record below:

Model _____ Serial No. _____ Purchase Date _____

SAVE THE RECEIPT, WARRANTY AND THESE INSTRUCTIONS. It is important that you read the entire manual to become familiar with the unit BEFORE you begin assembly.

The 30" Magnetic Sweeper with Wheels will pick up nails, pins, bolts, etc. Rolls on hard surfaces and on carpets.

Technical Specifications

Tires:	Rubber, 7" x 1-1/2"
Head Dimensions:	30" L x 3" W x 4" H
Handle:	Telescopes from 30" to 44-1/2" in length
Capacity:	50 Lb. magnet pull
Weight:	19 Lbs.



READ ALL INSTRUCTIONS BEFORE USING THIS PRODUCT!

Safety Warnings and Precautions

WARNING: When using product, basic safety precautions should always be followed to reduce the risk of personal injury and damage to equipment.

Read all instructions before using this product!

1. **Keep work area clean.** Cluttered areas invite injuries.
2. **Observe work area conditions.** Keep work area well lighted.
3. **Store idle equipment.** When not in use, the Sweeper must be stored in a safe and clean location. Always lock up products and keep out of reach of children.
4. **Use the right product for the job.** There are certain applications for which the Sweeper was designed. Do not modify the Sweeper and do not use the Sweeper for a purpose for which it was not intended.
5. **Check for damaged parts.** Before using any product, any part that appears damaged should be carefully checked to determine that it will operate properly and perform its intended function. Check for any broken or damaged parts and any other conditions that may affect its operation. Replace or repair damaged or worn parts immediately.
6. **Replacement parts and accessories.** When servicing, use only identical replacement parts. Use of any other parts will void the warranty.
7. **The Sweeper contains a 50 Lb. magnetic pull capacity and should not be used around materials and components that can be damaged when exposed to a magnet.**
8. **People with pacemakers should consult their physician(s) before using this product. Electromagnetic fields in close proximity to a heart pacemaker could cause interference or failure of the pacemaker.**

9. **Do not operate product if under the influence of alcohol or drugs.** Read warning labels on prescriptions to determine if your judgment or reflexes are impaired while taking drugs. If there is any doubt, do not operate the product.
10. **Use eye protection.** Always wear ANSI approved impact safety goggles.
11. **Dress properly.** Do not wear loose clothing or jewelry as they can be caught in moving parts. Non-Skid footwear is recommended when assembling and when using the Sweeper.
12. **Do not force this product.** Do not use inappropriate attachments in an attempt to exceed the Sweeper's capacity.
13. **Keep children away.** Children must never be allowed in the work area. Do not allow children to play with, or on the Sweeper.
14. **Keep the Sweeper clean.** Prior to each use, clean nails, staples or any debris off the Sweeper.

Warning: The warnings, cautions, and instructions discussed in this instruction manual cannot cover all possible conditions and situations that may occur. It must be understood by the operator that common sense and caution are factors which cannot be built into this product, but must be supplied by the operator.

Unpacking

When unpacking your Magnetic Sweeper, make certain that all parts on page 5 of this manual are included. If any parts are missing or broken, please call **HARBOR FREIGHT TOOLS** at **1-800-444-3353**.

Assembly

Your 30" Magnetic Sweeper with Wheels will require simple assembly. It is important that you read the entire manual to become familiar with the product BEFORE you assemble and use the Magnetic Sweeper.

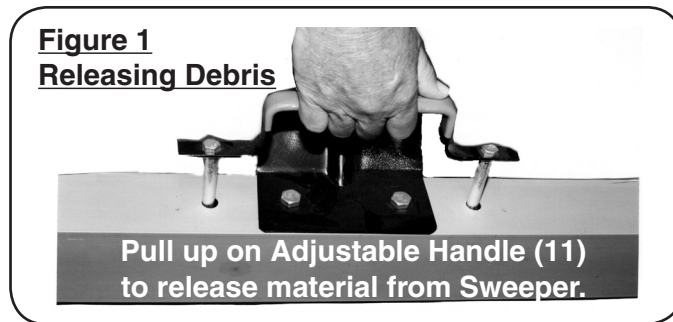
1. As necessary, attach the Connecting Plate (10) to the Aluminum Body (9) using two Bolts (17).
2. Slide the Thin Tube (3) down into the slot in the Connecting Plate (10). Secure the Thin Tube (3) to the Connecting Plate with Pan Head Bolt (16) and Nut (23).
3. Slide the Thin Tube (3) into the Thick Tube (2) and secure in place with Plastic Knob (12). If not already attached, slide on Plastic Handle (1).

Operation

To release the material that has been picked up by the Magnetic Sweeper, place the Aluminum Body (9) over a trash can or desired debris destination. Pull up on the Adjustable Handle (11) as in Figure 1. Move the Sweeper away from the debris before releasing the Handle (11) or it will pick up the debris again. Adjust the handle to the desired height, the handle telescopes from 30" L to 44-1/2" L. The handle can be adjusted by loosening the Plastic Knob (12) and pulling up on the Plastic Handle This will extend the Thick Tube (2) from the Thin Tube (3). When the desired height level is reached, tighten the Plastic Knob (12) into place.

OPERATION

1. Adjust the handle to the desired height, the handle telescopes from 30" L to 44-1/2" L. The 1. handle can be adjusted by loosening the Plastic Knob (12) and pulling up on the Plastic Handle This will extend the Thick Tube (2) from the Thin Tube (3). When the desired height level is reached, tighten the Plastic Knob (12) into place.
2. While holding the handle, roll the Magnetic Sweeper across the desired area such as a 2. workshop, garage, warehouse, etc. The Magnetic Sweeper will pick up metal objects such as nails, pins, bolts, screws and metal shavings.
3. To release the material that has been picked up by the Magnetic Sweeper, place the Aluminum 3. Body (9) over a trash can or desired debris destination. Pull up on the Adjustable Handle (11) as in Figure 1. Move the Sweeper away from the debris before releasing the Handle (11) or it will pick up the debris again.

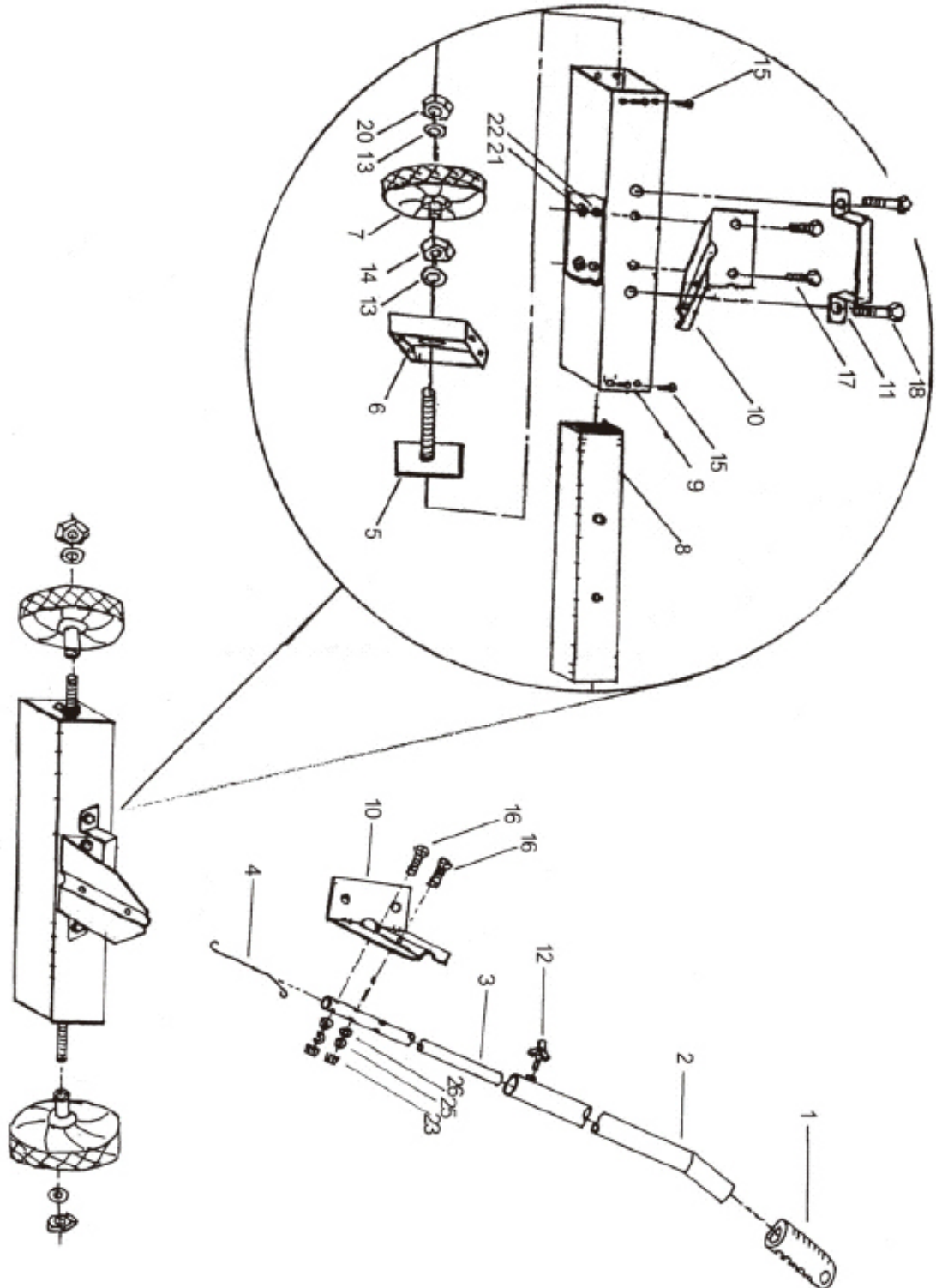


Parts List

Part	Description	Q'ty
1	Plastic Handle	1
2	Thick Tube	1
3	Thin Tube	1
4	Steel Wire	1
6	Steel Cover	2
7	Wheel	2
8	Magnetic Base	1
9	Aluminum Body	1
11	Adjustable Handle	1
12	Plastic Knob	1
14	M12mm Hex Nut	4

Part	Description	Q'ty
15	M6 x 12mm Bolt	2
16	M6 x 35mm Pan Head Bolt	2
17	M10 x 20mm Bolt	2
18	M8 x 90mm Bolt	2
20	M12 Lock Nut	1
21	M10 Lock Nut	2
22	Ø10mm Washer	2
23	M6 Nut	2
25	Ø6mm Lock Washer	3
26	Ø6mm Washer	6

Assembly Diagram



Note: Some parts are listed and shown for illustration purposes only and are not available individually as replacement parts.