

3-IN-1 RIVETER KIT

Includes noses-pieces for 3/32", 1/8", 5/32" and 3/16" blind rivets and blind rivet nosepieces

Maximum rivet capacity: 3/16"

Threaded nut sizes: 6-32, 8-32, 10-24, 1/4"-20.

Anchor mandrel lengths: 1-1/4" and 2-3/8"

Parts List and Assembly Diagram

| Part # | Description | QTY. |
|--------|--------------------------------|------|
| 1 | Frame Assembly | 1 |
| 2 | Lever Assembly | 1 |
| 3 | Grip | 2 |
| 4 | Wrench | 1 |
| 5 | Lock | 1 |
| 6 | Return Spring | 1 |
| 7 | Spring Pin | 1 |
| 8 | Pivot Pin | 1 |
| 9 | Pivot Pin Nut | 1 |
| 10 | "S" Clip | 2 |
| 11 | Nose Piece 3/16" Rivet | 1 |
| 12 | Nose Piece 5/32" Rivet | 1 |
| 13 | Nose Piece 1/8" Rivet | 1 |
| 14 | Nose Piece 3/32" Rivet | 1 |
| 15 | Jaw Case | 1 |
| 16 | Jaws | 1 |
| 17 | Jaw Pusher | 1 |
| 18 | Jaw Spring | 1 |
| 19 | Axis Pin | 1 |
| 20 | Nut & Anchor Case | 1 |
| 21 | Nut Mandrel Set 1/4 - 20 | 1 |
| 22 | Nut Mandrel Set 10 - 24 | 1 |
| 23 | Nut Mandrel Set 8 - 32 | 1 |
| 24 | Nut Mandrel Set 6 - 32 | 1 |
| 25 | Anchor Mandrel 6 - 32 x 1-1/4" | 1 |
| 26 | Anchor Mandrel 6 - 32 x 2-3/8" | 1 |

Warnings and Instructions**WARNING! TO PREVENT SERIOUS INJURY AND PROPERTY DAMAGE.**

1. **Wear ANSI-approved safety goggles and heavy-duty work gloves during use.** If not properly used, the tool's scissor-like action may cause pinch injury.
2. **Keep away from children.** Small pieces can be choking hazard. Dispose of rivets and all small pieces properly.
3. **Inspect before every use; do not use if damaged.**
4. **Use as intended only.**

WARNING: The warnings, cautions, and instructions discussed in this instruction manual cannot cover all possible conditions and situations that may occur. It must be understood by the operator that common sense and caution are factors which cannot be built into this product, but must be supplied by the operator.

WARNING: This product contains di (2-ethylhexyl) phthalate (DEHP), a chemical known to the State of California to cause cancer and birth defects or other reproductive harm. (California Health & Safety Code § 25249.5, *et seq.*)

NOTE: Rivets, rivet nuts and anchor rivets are not supplied with this kit. They must be purchased separately.

To install Blind Rivets (3/16", 5/32", 1/8" or 3/32"):

1. Drill proper sized hole for rivet you are using.
2. Select and install correct Nosepiece (11, 12, 13 or 14). Nosepieces have standard right hand thread for installing/removing.
3. Place rivet in the hole and place Nosepiece over stem of rivet.
4. Squeeze handle once or twice until stem snaps off rivet.
5. Open handle and turn tool upside down to allow stem to fall out.

To Change the Case and Install Rivet Nuts and Anchor Rivets.**To Change the Case:**

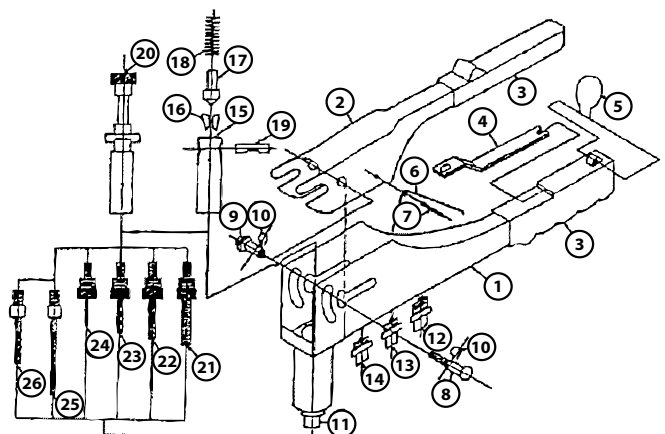
1. Remove any installed Nosepiece by turning it counterclockwise.
2. Hold Pivot Pin (8) against handle to prevent it from turning. Loosen Pivot Pin Nut (9) by turning it clockwise with Wrench (4).
3. Squeeze Lever (2) down and pull it back along Frame (1). This will disengage Lever (2) from Axis Pin (19).
4. Remove Jaw Case (15) from tool.
5. Insert Nut & Anchor Case (20).
6. Push Handle back in place, being sure that Case Pins fit into Handle slots.
7. Push Pivot Pin (8) back in place and retighten it with Wrench (4).

To Install Rivet Nuts (1/4-20, 10-24, 8-32 or 6-32):

1. Drill proper sized hole for Rivet Nut to be used.
2. Thread proper Nut Mandrel (21, 22, 23 or 24) onto Nut & Anchor Case (20).
3. Thread Rivet Nut onto Mandrel.
4. Insert Rivet Nut into hole and squeeze handle. This will expand Rivet Nut in hole.
5. Unscrew tool from Rivet Nut.

To Install Anchor Rivets (6-32x1-1/4" or 6-32x2-3/8"):

1. Drill proper sized hole for Anchor Rivet to be used.
2. Thread proper Anchor Mandrel (25 or 26) onto Nut & Anchor Case (20).
3. Thread Anchor Rivet onto Mandrel.
4. Insert Anchor Rivet into hole and squeeze handle. This will expand Anchor Rivet in hole.
5. Unscrew tool from Anchor Rivet.



NOTE: Some parts are listed and shown for illustration purposes only and are not available individually as replacement parts.