

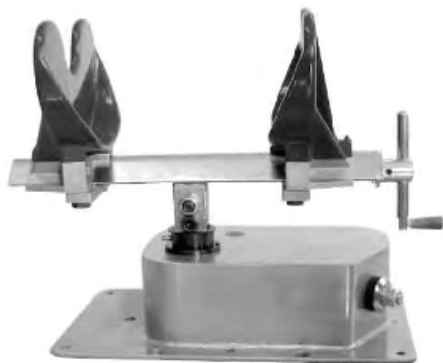
**CENTRAL PNEUMATIC®**

# PNEUMATIC PAINT SHAKER

**Model 94605**

## ASSEMBLY AND OPERATION INSTRUCTIONS

Due to continuing improvements, actual product may differ slightly from the product described herein.



3491 Mission Oaks Blvd., Camarillo, CA 93011  
Visit our Web site at <http://www.harborfreight.com>

Copyright © 2006 by Harbor Freight Tools®. All rights reserved. No portion of this manual or any artwork contained herein may be reproduced in any shape or form without the express written consent of Harbor Freight Tools.

For technical questions or replacement parts, please call 1-800-444-3353.

Revised 07g

---

## **SPECIFICATIONS**

---

<b>ITEM</b>	<b>DESCRIPTION</b>
Function	Shakes and mixes paint in cans from one gallon to one quart.
Air Pressure Requirement	40 to 70 PSI
Air Consumption	3.2 CFM at 70 PSI
Can Jaws	3 to 11 inch adjustable, non-marring jaws
Speed	700 CPM (free speed - no load)
Air Inlet Size	1/4" - 18 NPT (female threads)
Air Hose	3/8 (ID) inch (recommended)
Load Capacity	11 lbs. (maximum)
Overall Dimensions	16-3/4 (L) x 9-1/8" (W) x 12-3/4 (H) inches
Weight	21.12 lbs.

### **Save This Manual**

You will need the manual for the safety warnings and precautions, assembly instructions, operating and maintenance procedures, parts list and diagram. Keep your invoice with this manual. Write the invoice number on the inside of the front cover. Keep the manual and invoice in a safe and dry place for future reference.

---

## **SAFETY WARNINGS AND PRECAUTIONS**

---

**WARNING:** When using tool, basic safety precautions should always be followed to reduce the risk of personal injury and damage to equipment.

**Read all instructions before using this tool!**

- 1. Keep work area clean.** Cluttered areas invite injuries.
- 2. Observe work area conditions.** Do not use machines or power tools in damp or wet locations. Don't expose to rain. Keep work area well lighted. Do not use electrically powered tools in the presence of flammable gases or liquids.
- 3. Keep children away.** Children must never be allowed in the work area. Do not let them handle machines, tools, or extension cords.
- 4. Store idle equipment.** When not in use, tools must be stored in a dry location to inhibit rust. Always lock up tools and keep out of reach of children.

5. Use the right tool for the job. Do not attempt to force a small tool or attachment to do the work of a larger industrial tool. There are certain applications for which this tool was designed. It will do the job better and more safely at the rate for which it was intended. Do not modify this tool and do not use this tool for a purpose for which it was not intended.
6. Use eye protection. Always wear ANSI approved impact safety goggles when using the Paint Shaker.
7. Dress properly. Do not wear loose clothing or jewelry as they can be caught in moving parts. Protective, electrically non conductive clothes and nonskid footwear are recommended when working. Wear restrictive hair covering to contain long hair.
8. Verify that the paint containers are securely closed before shaking, to avoid spilling or property damage.
9. Maintain tools with care. Keep tools clean for better and safer performance. Follow instructions for lubricating and changing accessories. Inspect tool air hoses periodically and, if damaged, have them repaired by an authorized technician. The handles must be kept clean, dry, and free from oil and grease at all times.
10. Disconnect air line. Unplug air line from the tool when not in use. Only use compressed air.
11. Avoid unintentional starting. Be sure the switch is in the Off position when not in use and before plugging air line in. Do not carry any tool with your finger on the trigger, whether it is plugged in or not.
12. Stay alert. Watch what you are doing, use common sense. Do not operate any tool when you are tired.
13. Check for damaged parts. Before using any tool, any part that appears damaged should be carefully checked to determine that it will operate properly and perform its intended function. Check for alignment and binding of moving parts; any broken parts or mounting fixtures; and any other condition that may affect proper operation. Any part that is damaged should be properly repaired or replaced by a qualified technician. Do not use the tool if any switch does not turn On and Off properly.
14. Replacement parts and accessories. When servicing, use only identical replacement parts. Use of any other parts will void the warranty. Only use accessories intended for use with this tool. Approved accessories are available from Harbor Freight Tools.

15. Do not operate tool if under the influence of alcohol or drugs. Read warning labels if taking prescription medicine to determine if your judgment or reflexes are impaired while taking drugs. If there is any doubt, do not operate the tool.
16. Make sure the place where you use this product is properly ventilated.
17. The brass components of this product contain lead, a chemical known to the State of California to cause birth defects (or other reproductive harm). (California Health & Safety code § 25249.5, et seq.)
18. Verify paint containers are securely closed before shaking.
19. Maintenance. For your safety, service and maintenance should be performed regularly by a qualified technician.
20. Verify the air pressure from compressor is between 40 and 70 PSI .
21. Follow the warnings and precautions in the manual for the air compressor being used.

**The warnings, cautions, and instructions discussed in this instruction manual cannot cover all possible conditions and situations that may occur. It must be understood by the operator that common sense and caution are factors which cannot be built into this product, but must be supplied by the operator.**

---

## UNPACKING

---

When unpacking, check to make sure that all the parts of the Pneumatic Paint Shaker are included. Refer to the Assembly Drawing and Parts List at the end of this manual. If any parts are missing or broken, please call Harbor Freight Tools at the number on the cover of this manual.

---

## INSTALLATION

---

1. Choose a workbench to mount the Paint Shaker on that is able to withstand the weight of the tool, full paint can, and steady vibration of the mixing.
2. Locate the Paint Shaker on the workbench and mark drilling holes using the Base (1) mounting holes as a template.

**Caution:** Before drilling, verify that there are no obstructions or live wires beneath the table.

3. Move the Paint Shaker aside, and drill holes using a drill matching the size of the Base (1) mounting holes.
4. Mount Paint Shaker to the workbench using supplied nuts and bolts hardware. If the supplied hardware will not accommodate the workbench, other hardware will need to be purchased.

### Air Connection

1. Wrap a small amount of Teflon<sup>®</sup> joint tape (not supplied) around the treads of the Control Valve (6), then screw it into the Inlet Fitting (7) until secure. Do not over-tighten. Thread on the Oiler (52) to the Control Valve (6). fill the Oiler with oil. See page 6.
2. Attach the compressor air hose (not supplied) to the Control Valve (6). Securely tighten.
3. **Optional:** Attach an air quick-coupler (not supplied) between the air hose and Oiler (52) for fast disconnects.
4. Tighten all couplings and fittings.




---

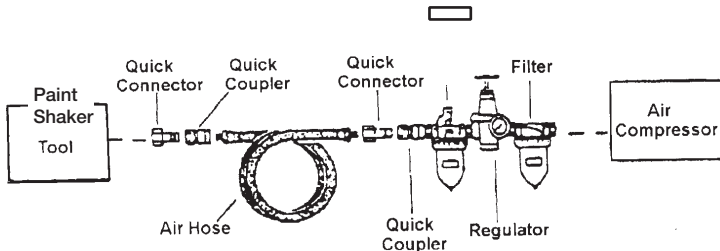
## AIR FILTER CONNECTION

---

Dirt, water, and the lack of pneumatic tool oil are major causes for tool wear. Install an optional air filter (not supplied), as illustrated below for better performance.

Connect the Pneumatic Paint Shaker, air hose, filter, to the Compressor Air Outlet as illustrated below.

The air filter (not supplied) is recommended but not mandatory for operation. If the filter is not used, connect the air supply hose directly to the compressor air inlet fitting. Use pipe thread seal or Teflon tape on all threaded connections.



---

## OPERATION

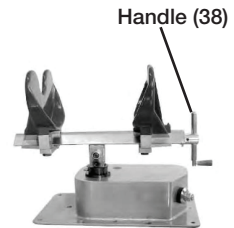
---

**Warning:** Verify that the paint containers are securely closed before shaking, to avoid spilling or property damage. Make sure there is oil in Oiler (52) BEFORE use. See page 6.

1. Place the paint can within the Jaws (48) and securely tighten Handle (38).
2. Verify that the Control Valve (6) is in the Off position (handle perpendicular to air flow direction) as shown on page 4.
3. Turn on the air pressure at the air supply tank or compressor. Adjust pressure to 40 PSI as read on the compressor pressure gauge.
4. Adjust the air pressure up to a maximum of 70 PSI for optimum tool performance.
5. Turn the Control Valve (6) to the On position. Shaking will begin.

**Caution:** If the paint can appears to be slipping out from the Jaws (48) during shaking, immediately turn off the Control Valve (6). Reset the can and retighten the Jaws.

6. Shake the paint can for two to four minutes, depending on its size.
7. After mixing the paint, turn the Control Valve (6) to the Off position, and wait for the movement to stop.
8. Disconnect the air hose from the compressor.
9. Loosen Handle (38) and remove the paint can.



### Lubricating The Paint Shaker

1. Disconnect the Pneumatic Paint Shaker from the air supply.
2. Locate the Oiler (52). There is a plug and a small screw on the Oiler that must be removed. Using a small funnel, pour air tool oil into the fill hole until the oiler is full. Replace the Fill Screw and plug. See photo page 5.
3. Connect the Pneumatic Paint Shaker to the Oiler (52). The oiler will automatically spray a very small amount of oil into the Paint Shaker as you use it. Make sure you keep oil in the Oiler (52) to avoid damaging the Paint Shaker.
4. There is a zerk oil fitting (25) that feeds oil to a Bushing (21). Lubricate the bushing at least once a month if heavily used. See diagram on page 9.

# MAINTENANCE

1. After each use, remove the air hose and wipe the tool with a clean cloth to remove any dirt and grease buildup.
2. To maintain tool life, always lubricate the air line by adding a few drops of pneumatic tool oil to the air line before each use. Or, install the automatic oiler-filter system as previously illustrated.
3. Before each use, drain water out of the air compressor tank and condensation from the air lines. Refer to the Air Compressor Operator's Manual.

---

## TROUBLESHOOTING

---

<b>Problem</b>	<b>Probable Cause</b>	<b>Possible Solution</b>
Paint Shaker does not turn on when Control Valve (6) is opened.	<ol style="list-style-type: none"><li>1. Insufficient or no air supply.</li><li>2. Problem or leak in air hose.</li></ol>	<ol style="list-style-type: none"><li>1. Fill air tank or turn compressor on.</li><li>2. Check air hose connection.</li></ol>
Paint Shaker shakes violently, abnormally.	<ol style="list-style-type: none"><li>1. Too much air pressure.</li><li>2. Mounting hardware loose.</li></ol>	<ol style="list-style-type: none"><li>1. Reduce pressure to 45 PSI.</li><li>2. Tighten mounting hardware.</li></ol>

# PARTS LIST

Part	Description	QTY
1	Base	1
2	Nut	2
3	Screw	1
4	Rubber defends & rises cushion	2
5	Rubber Cushion	2
6	Control Valve	1
7	Air Inlet Fitting	1
8	Valve Body Screw	3
9	Lower Valve Body	1
10	Packing	1
11	Valve Piece	1
12	Screw	1
13	Upper Valve Body	1
14	Packing	1
15	Piston Screw	1
16	Wear Ring	1
17	Piston O-Ring	1
18	Piston	1
19	Cylinder Body	1
20	Clamp Shim	1
21	Bearing	2
22	Cylinder Rod	1
23	Crank Pin Retaining Ring	2
24	Bushing	1
25	Zerk Fitting	2
26	Crank Arm	1
27	Nut	1

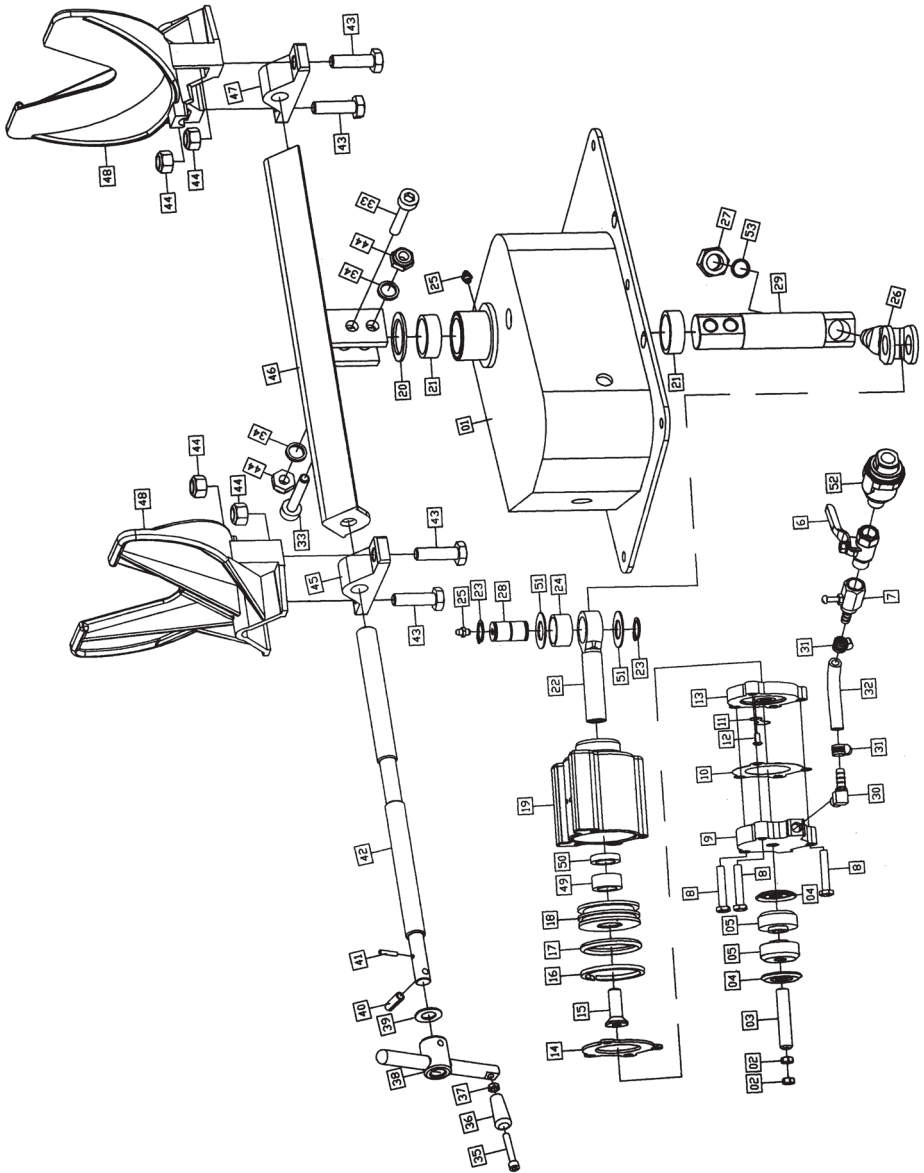
Part	Description	QTY
28	Crank Pin	1
29	Main Shaft	1
30	L-Connecting	1
31	Ferrule	2
32	Weave Pipe	1
33	Screw	2
34	Spring Pad	2
35	Screw	1
36	Rocker Handle	1
37	Nut	1
38	Handle	1
39	Thrust Washer	1
40	Roll Pin	1
41	Roll Pin	1
42	Clamp Screw	1
43	Jaw Bolt	4
44	Jam nut	6
45	Clamp Nut (L)	1
46	Frame Weld Clamp	1
47	Clamp Nut (R)	1
48	Jaw	2
49	Rod Bearing	1
50	Rod Seal	1
51	Shin	2
52	Mini Oiler	1
53	Spring Pad	1

**NOTE:** Some parts are listed and shown for illustration purposes only and are not available individually as replacement parts.

THE MANUFACTURER AND/OR DISTRIBUTOR HAS PROVIDED THE PARTS LIST AND ASSEMBLY DIAGRAM IN THIS MANUAL AS A REFERENCE TOOL ONLY. NEITHER THE MANUFACTURER OR DISTRIBUTOR MAKES ANY REPRESENTATION OR WARRANTY OF ANY KIND TO THE BUYER THAT HE OR SHE IS QUALIFIED TO MAKE ANY REPAIRS TO THE PRODUCT, OR THAT HE OR SHE IS QUALIFIED TO REPLACE ANY PARTS OF THE PRODUCT. IN FACT, THE MANUFACTURER AND/OR DISTRIBUTOR EXPRESSLY STATES THAT ALL REPAIRS AND PARTS REPLACEMENTS SHOULD BE UNDERTAKEN BY CERTIFIED AND LICENSED TECHNICIANS, AND NOT BY THE BUYER. THE BUYER ASSUMES ALL RISK AND LIABILITY ARISING OUT OF HIS OR HER REPAIRS TO THE ORIGINAL PRODUCT OR REPLACEMENT PARTS THERE-TO, OR ARISING OUT OF HIS OR HER INSTALLATION OF REPLACEMENT PARTS THERETO.



# ASSEMBLY DRAWING



## 90 Day Warranty

Harbor Freight Tools Co. makes every effort to assure that its products meet high quality and durability standards, and warrants to the original purchaser that this product is free from defects in materials and workmanship for the period of 90 days from the date of purchase. This warranty does not apply to damage due directly or indirectly, to misuse, abuse, negligence or accidents, repairs or alterations outside our facilities, criminal activity, improper installation, normal wear and tear, or to lack of maintenance. We shall in no event be liable for death, injuries to persons or property, or for incidental, contingent, special or consequential damages arising from the use of our product. Some states do not allow the exclusion or limitation of incidental or consequential damages, so the above limitation of exclusion may not apply to you. **THIS WARRANTY IS EXPRESSLY IN LIEU OF ALL OTHER WARRANTIES, EXPRESS OR IMPLIED, INCLUDING THE WARRANTIES OF MERCHANTABILITY AND FITNESS.**

To take advantage of this warranty, the product or part must be returned to us with transportation charges prepaid. Proof of purchase date and an explanation of the complaint must accompany the merchandise. If our inspection verifies the defect, we will either repair or replace the product at our election or we may elect to refund the purchase price if we cannot readily and quickly provide you with a replacement. We will return repaired products at our expense, but if we determine there is no defect, or that the defect resulted from causes not within the scope of our warranty, then you must bear the cost of returning the product.

This warranty gives you specific legal rights and you may also have other rights which vary from state to state.

***3491 Mission Oaks Blvd. • PO Box 6009 • Camarillo, CA  
93011 • (800) 444-3353***