

Owner's Manual & Safety Instructions

Save This Manual Keep this manual for the safety warnings and precautions, assembly, operating, inspection, maintenance and cleaning procedures. Write the product's serial number in the back of the manual near the assembly diagram (or month and year of purchase if product has no number). Keep this manual and the receipt in a safe and dry place for future reference.

20h



GREENWOOD™

**SOLAR
MOLE AND
GOPHER
CHASER**



94661

Visit our website at: <http://www.harborfreight.com>
Email our technical support at: productsupport@harborfreight.com

When unpacking, make sure that the product is intact and undamaged. If any parts are missing or broken, please call 1-888-866-5797 as soon as possible.

Copyright© 2020 by Harbor Freight Tools®. All rights reserved.

No portion of this manual or any artwork contained herein may be reproduced in any shape or form without the express written consent of Harbor Freight Tools. Diagrams within this manual may not be drawn proportionally. Due to continuing improvements, actual product may differ slightly from the product described herein. Tools required for assembly and service may not be included.

⚠WARNING

Read this material before using this product. Failure to do so can result in serious injury. **SAVE THIS MANUAL.**

Table of Contents

Safety	2	Operation	6
Specifications	4	Maintenance	7
Setup	4	Warranty	8



GREENWOOD™

	This is the safety alert symbol. It is used to alert you to potential personal injury hazards. Obey all safety messages that follow this symbol to avoid possible injury or death.
	Indicates a hazardous situation which, if not avoided, will result in death or serious injury.
	Indicates a hazardous situation which, if not avoided, could result in death or serious injury.
	Indicates a hazardous situation which, if not avoided, could result in minor or moderate injury.
	Addresses practices not related to personal injury.

Important Safety Information

Personal Safety

1. Dress Properly - Use of rubber gloves and substantial footwear is recommended when working outdoors. Wear protective hair covering to contain long hair.
4. Do not Overreach - Keep proper footing and balance at all times.
2. Wear ANSI-approved safety goggles during setup.
5. Stay Alert - Watch what you are doing. Use common sense. Do not operate appliance when you are tired.
3. Live moles, gophers and other rodents can be dangerous to approach, and may carry diseases.
6. People with pacemakers should consult their physician(s) before use. Electromagnetic fields in close proximity to heart pacemaker could cause pacemaker interference or pacemaker failure.

Use Precautions

1. Bring unit indoors during extreme weather conditions like hail, ice, snow, or flooding. Although unit is weatherproof, avoid direct exposure to sprinkler systems.
2. For hard earth locations, dig a small hole in the ground before installing the solar mole chaser.
3. Do not use a hammer or mallet or excessive force to insert the solar mole chaser. Doing so may damage the unit.
4. This product is not a toy. Do not allow children to play with or near this item.
5. Use as intended only.
6. Inspect before every use; do not use if parts are loose or damaged.
7. Maintain product labels and nameplates. These carry important safety information. If unreadable or missing, contact Harbor Freight Tools for a replacement.

SAFETY

SETUP

OPERATION

MAINTENANCE



Specifications

Frequency	400-1000Hz
Battery Rating	1.2V / 600mAh
Battery Type	AA NiCd Rechargeable
Pulse Interval	30 sec.

Setup - Before Use:



Read the **ENTIRE IMPORTANT SAFETY INFORMATION** section at the beginning of this manual including all text under subheadings therein before set up or use of this product.

CAUTION

TO PREVENT INJURY FROM ACCIDENTAL OPERATION:

Make sure that the Power Button is in the off-position before assembling or making any adjustments to the Mole Chaser.

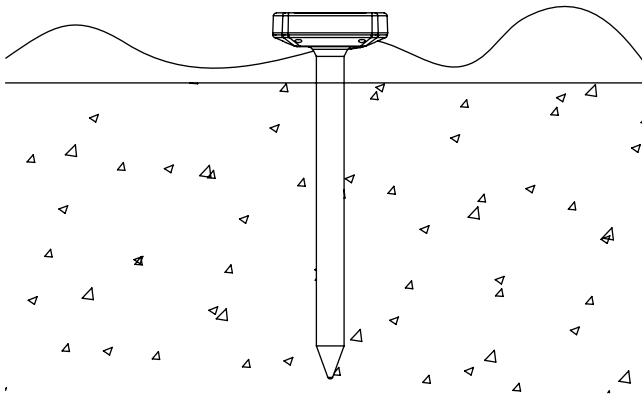
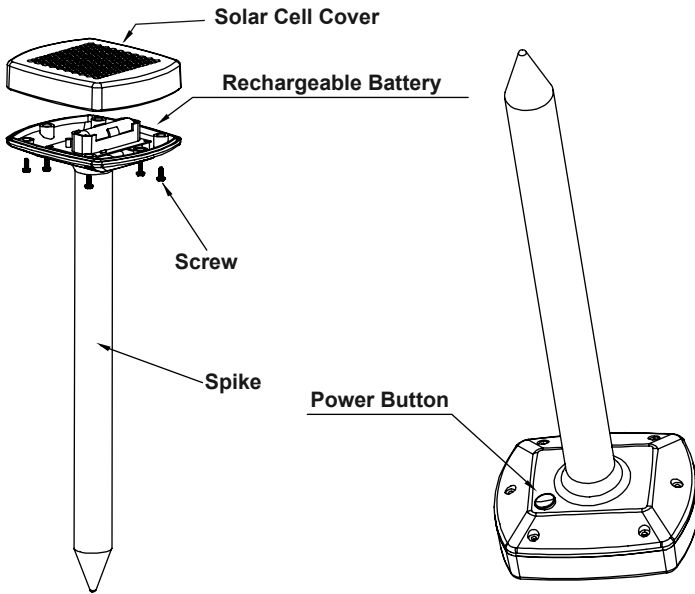
Set Up

1. Make sure that the Power Button is in the off-position, then unthread the 6 screws on the underside of the head, remove the solar cell cover, and install a AA-sized NiCd **rechargeable** battery. Reattach the cover and tighten the screws.
2. Press the ON/OFF button beneath the head. The pulse will sound, indicating the product is in proper working condition. Charge the product for at least one full sunny day before its first operation.
3. Carefully insert the Chaser spike into the lawn. Press down firmly until the base of the head is approximately one inch from ground level.



GREENWOOD™

Functions



SAFETY

SETUP

OPERATION

MAINTENANCE

Operating Instructions



Read the **ENTIRE IMPORTANT SAFETY INFORMATION** section at the beginning of this manual including all text under subheadings therein before set up or use of this product.

General Operating Instructions

1. The Solar Mole Chaser drives away moles, pocket gophers and voles by emitting a piercing sonic pulse.
2. For best results, install 2 units approximately 60 ft. apart in the highest risk area.
3. To prevent accidents, turn off the Mole Chaser and remove its Battery after use. Clean, then store the Mole Chaser indoors out of children's reach.

Maintenance and Servicing



Procedures not specifically explained in this manual must be performed only by a qualified technician.

CAUTION

TO PREVENT INJURY FROM ACCIDENTAL OPERATION:

Make sure that the Power Button is in the off-position before performing any inspection, maintenance, or cleaning procedures.

TO PREVENT INJURY FROM UNIT FAILURE:

Do not use damaged equipment. If abnormal noise or vibration occurs, have the problem corrected before further use.

Cleaning, Maintenance, and Lubrication

- BEFORE EACH USE**, inspect the general condition of the Mole Chaser. Check for:
 - leaking, swollen, or cracked battery,
 - loose hardware,
 - misalignment or binding of moving parts,
 - cracked or broken parts, and
 - any other condition that may affect its safe operation.
- AFTER USE**, clean external surfaces of the appliance with clean, moist cloth.
- Clean the solar cell cover periodically with a damp cloth to ensure maximum sun exposure.
- The built-in battery may need to be replaced once a year. Unthread the 6 screws on the underside of the head, remove the solar cell cover, and replace the old battery with a AA-sized NiCd **rechargeable** battery. Reattach the cover and tighten the screws.
- NiCd BATTERY MUST BE RECYCLED OR DISPOSED OF PROPERLY.** Do not short, incinerate or open battery.

Record Product's Serial Number Here: _____

Note: If product has no serial number, record month and year of purchase instead.

Note: Some parts are listed and shown for illustration purposes only, and are not available individually as replacement parts. Specify UPC 193175326911 when ordering parts.

Limited 90 Day Warranty

Harbor Freight Tools Co. makes every effort to assure that its products meet high quality and durability standards, and warrants to the original purchaser that this product is free from defects in materials and workmanship for the period of 90 days from the date of purchase. This warranty does not apply to damage due directly or indirectly, to misuse, abuse, negligence or accidents, repairs or alterations outside our facilities, criminal activity, improper installation, normal wear and tear, or to lack of maintenance. We shall in no event be liable for death, injuries to persons or property, or for incidental, contingent, special or consequential damages arising from the use of our product. Some states do not allow the exclusion or limitation of incidental or consequential damages, so the above limitation of exclusion may not apply to you. THIS WARRANTY IS EXPRESSLY IN LIEU OF ALL OTHER WARRANTIES, EXPRESS OR IMPLIED, INCLUDING THE WARRANTIES OF MERCHANTABILITY AND FITNESS.

To take advantage of this warranty, the product or part must be returned to us with transportation charges prepaid. Proof of purchase date and an explanation of the complaint must accompany the merchandise. If our inspection verifies the defect, we will either repair or replace the product at our election or we may elect to refund the purchase price if we cannot readily and quickly provide you with a replacement. We will return repaired products at our expense, but if we determine there is no defect, or that the defect resulted from causes not within the scope of our warranty, then you must bear the cost of returning the product.

This warranty gives you specific legal rights and you may also have other rights which vary from state to state.

