

Owner's Manual & Safety Instructions

Save This Manual Keep this manual for the safety warnings and precautions, assembly, operating, inspection, maintenance and cleaning procedures. Write the product's serial number in the back of the manual near the assembly diagram (or month and year of purchase if product has no number). Keep this manual and the receipt in a safe and dry place for future reference.

17f

PITTSBURGH[®] AUTOMOTIVE 95575

Mini Grease Gun with 3 Oz. Grease



Visit our website at: <http://www.harborfreight.com>
Email our technical support at: productsupport@harborfreight.com

When unpacking, make sure that the product is intact and undamaged. If any parts are missing or broken, please call 1-888-866-5797 as soon as possible.

Copyright © 2006 by Harbor Freight Tools®. All rights reserved.

No portion of this manual or any artwork contained herein may be reproduced in any shape or form without the express written consent of Harbor Freight Tools. Diagrams within this manual may not be drawn proportionally. Due to continuing improvements, actual product may differ slightly from the product described herein. Tools required for assembly and service may not be included.

⚠ WARNING

**Read this material before using this product.
Failure to do so can result in serious injury.
SAVE THIS MANUAL.**

Specifications

Capacity	3 OZ. Lithium Grease Cartridge (suction loaded)
Extension Pipe	5-1/2 IN. Long
Delivery Rate	1/2 OZ. Grease per 40 Strokes
Pipe / Coupler	1/8 IN. NPT Threads

Important Safety Information

1. **Wear ANSI-approved safety goggles and heavy-duty work gloves during use.**
2. **Do not use near open flame.**
3. **Inspect before every use; do not use if parts are loose or damaged.**
4. **Use as intended only.** Do not use Grease Gun to hold and dispense any other materials.
5. **Properly load cartridge before use.**
6. **Read grease manufacturer's cautions before use.**
7. **Maintain a firm grip on the tool with both hands.**
8. **Keep outer body of Grease Gun dry, clean, and free from oil and grease.**
9. **Read and understand all instructions and safety precautions as outlined in the manufacturer's manual for the vehicle (or object) to be lubricated.**
10. **Keep work area clean.** Cluttered areas invite injuries.
11. **Keep children away.** Children must never be allowed in the work area.
12. **Store idle equipment.** When not in use, tools must be stored in a dry location to inhibit rust. Always lock up tools and keep out of reach of children.
13. **Dress properly.** Do not wear loose clothing or jewelry as they can be caught in moving parts. Wear restrictive hair covering to contain long hair.
14. **Do not overreach.** Keep proper footing and balance at all times.
15. **Maintain tools with care.** Follow instructions for lubricating and changing accessories.
16. **Stay alert.** Watch what you are doing, use common sense. Do not operate any tool when you are tired.
17. **Check for damaged parts.** Before using any tool, any part that appears damaged should be carefully checked to determine that it will operate properly and perform its intended function. Any part that is damaged should be properly repaired or replaced by a qualified technician.
18. **Replacement parts and accessories.** When servicing, use only identical replacement parts. Use of any other parts will void the warranty.
19. **Do not operate tool if under the influence of alcohol or drugs.** Read warning labels on prescriptions to determine if your judgment or reflexes are impaired while taking drugs. If there is any doubt, do not operate the tool.
20. **Maintenance.** For your safety, service and maintenance should be performed regularly by a qualified technician.
21. **WARNING:** The warnings, cautions, and instructions discussed in this instruction manual cannot cover all possible conditions and situations that may occur. It must be understood by the operator that common sense and caution are factors which cannot be built into this product, but must be supplied by the operator.

Installing and Replacing Grease Cartridge

1. Unscrew and remove the Extended Pipe (14) from the Head (11). See photo, below.
2. Pull the T-Grip Handle (1) all the way back and lock it in place.
3. Unscrew the Barrel (3) from the Head. Remove the cap from both ends of the 3 oz. grease cartridge.

NOTE: Open and prepare cartridge per the manufacturer's instructions.

4. Insert the cartridge into the Head.
5. Slide the Barrel over the cartridge and back into the Head.
6. Depress the Clamp (2) and push the T-Grip Handle forward as far as it will go.

Suction Filling From Bulk Grease Container

1. Unscrew and remove the Head from the Barrel.
2. Insert the open end of the Barrel into the lubricant. Slowly pull the T-Grip Handle back while pushing the Barrel deeper into the lubricant to prevent air pockets from being pulled into the Barrel.
3. Once the Handle is fully extended, remove the Barrel from the lubricant. Wipe the exterior of the Barrel clean of lubricant.
4. Screw the Head back onto the Barrel.
5. Depress the Clamp and push the T-Grip Handle back into the Barrel.

Expelling Air Pockets in the Barrel

NOTE: If the Grease Gun does not work properly, there may be air pockets in the Barrel.

1. Unscrew the Head 1-1/2 turns.
2. Depress the Clamp and slowly push the Handle forward to the Barrel.
3. After all excess air is expelled from the Barrel, retighten the Head.
4. Wipe any grease off the exterior of the Barrel.

Operating Instructions



Read the **ENTIRE IMPORTANT SAFETY INFORMATION** section at the beginning of this document including all text under subheadings therein before set up or use of this product.

1. Clean the Grease Gun carefully and completely with a clean cloth before each use.
2. With one hand, hold the Barrel securely. Use the other hand to pump the Grip (13) several times or until a small amount of grease flows out of the Coupler (15).
3. When finished, store in a clean, dry, safe location out of reach of children.

Note: If unit is stuck on grease fitting, loosen grease nozzle. See Troubleshooting section.

Greasing a Grease Gun

1. To attach the coupler jaws to a fitting, press the coupler straight onto grease fitting and maintain a tight fit.
2. Operate the grease gun, keeping the coupler square to the fitting.
3. When greasing is complete, tilt coupler, twist nozzle of the grease gun and pull back to remove from fitting.

Maintenance and Servicing

- Before each use, inspect general condition of Grease Gun. Check for cracked or damaged parts, misaligned or binding of moving parts, leaking connections, and any other condition that may affect product's safe operation. If a problem occurs, have the problem corrected before further use. **Do not use damaged equipment.**
- After every use, dry with a soft cloth, remove all grease and debris from Grease Gun. Do not use solvents to clean or immerse in any liquids.
- When storing, keep in a clean, dry and safe location away from children.
- CAUTION!** All maintenance, service, and repairs not discussed in manual should only be performed by qualified service technician.

Troubleshooting

Problem	Possible Causes	Likely Solutions
Grease gun does not dispense grease.	<ol style="list-style-type: none"> Trapped air in grease. Cold grease. Grease gun extension blocked. Plunger rod did not enter the grease cartridge. 	<ol style="list-style-type: none"> Loosen gun head. Move plunger rod in & out to remove air pockets. Tighten gun head. Warm the gun. Remove and clean gun extension. Maneuver plunger rod to properly go inside the cartridge.
Grease leaks from the back of gun.	Thin grease.	Use a thicker grease.
Lever or grip handle cannot be operated.	Gun piston damaged.	Replace gun.
Grease coupler is stuck on the grease fitting.	Grease fitting does not match.	Tilt the coupler, twist & then pull back.

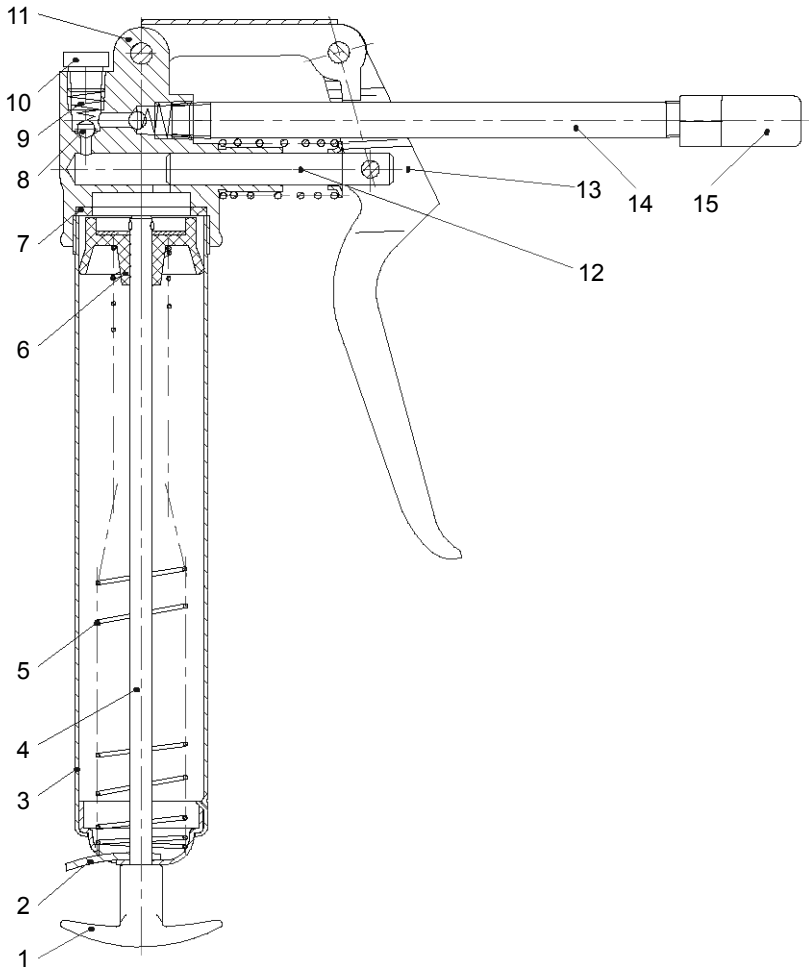
PLEASE READ THE FOLLOWING CAREFULLY

NEITHER THE MANUFACTURER OR DISTRIBUTOR MAKES ANY REPRESENTATION OR WARRANTY OF ANY KIND TO THE BUYER THAT HE OR SHE IS QUALIFIED TO MAKE ANY REPAIRS TO THE PRODUCT, OR THAT HE OR SHE IS QUALIFIED TO REPLACE ANY PARTS OF THE PRODUCT. IN FACT, THE MANUFACTURER AND/OR DISTRIBUTOR EXPRESSLY STATES THAT ALL REPAIRS AND PARTS REPLACEMENTS SHOULD BE UNDERTAKEN BY CERTIFIED AND LICENSED TECHNICIANS, AND NOT BY THE BUYER. THE BUYER ASSUMES ALL RISK AND LIABILITY ARISING OUT OF HIS OR HER REPAIRS TO THE ORIGINAL PRODUCT OR REPLACEMENT PARTS THERETO, OR ARISING OUT OF HIS OR HER INSTALLATION OF REPLACEMENT PARTS THERETO.

Parts List and Diagram

Part	Description	Qty
1	T-Grip Handle	1
2	Arrestor Clamp	1
3	Barrel	1
4	Pull Rod	1
5	Spring	1
6	Plunger	1
7	Washer	1
8	Ball	1

Part	Description	Qty
9	Spring	1
10	Plug	1
11	Head	1
12	Piston	1
13	Grip	1
14	Extended Pipe	1
15	Coupler	1



Limited 90 Day Warranty

Harbor Freight Tools Co. makes every effort to assure that its products meet high quality and durability standards, and warrants to the original purchaser that this product is free from defects in materials and workmanship for the period of 90 days from the date of purchase. This warranty does not apply to damage due directly or indirectly, to misuse, abuse, negligence or accidents, repairs or alterations outside our facilities, criminal activity, improper installation, normal wear and tear, or to lack of maintenance. We shall in no event be liable for death, injuries to persons or property, or for incidental, contingent, special or consequential damages arising from the use of our product. Some states do not allow the exclusion or limitation of incidental or consequential damages, so the above limitation of exclusion may not apply to you. THIS WARRANTY IS EXPRESSLY IN LIEU OF ALL OTHER WARRANTIES, EXPRESS OR IMPLIED, INCLUDING THE WARRANTIES OF MERCHANTABILITY AND FITNESS.

To take advantage of this warranty, the product or part must be returned to us with transportation charges prepaid. Proof of purchase date and an explanation of the complaint must accompany the merchandise. If our inspection verifies the defect, we will either repair or replace the product at our election or we may elect to refund the purchase price if we cannot readily and quickly provide you with a replacement. We will return repaired products at our expense, but if we determine there is no defect, or that the defect resulted from causes not within the scope of our warranty, then you must bear the cost of returning the product.

This warranty gives you specific legal rights and you may also have other rights which vary from state to state.

Record Serial Number Here:

Note: If product has no serial number, record month and year of purchase instead.

Note: Some parts are listed and shown for illustration purposes only, and are not available individually as replacement parts.

PITTSBURGH ® **AUTOMOTIVE**

3491 Mission Oaks Blvd. • PO Box 6009 • Camarillo, CA 93011 • 1-888-866-5797