

Owner's Manual & Safety Instructions

Save This Manual Keep this manual for the safety warnings and precautions, assembly, operating, inspection, maintenance and cleaning procedures. Write the product's serial number in the back of the manual near the assembly diagram (or month and year of purchase if product has no number). Keep this manual and the receipt in a safe and dry place for future reference.

18h

CENTRALPNEUMATIC®

3/4 Oz. Deluxe Airbrush Kit



Visit our website at: <http://www.harborfreight.com>
Email our technical support at: productsupport@harborfreight.com

95810

When unpacking, make sure that the product is intact and undamaged. If any parts are missing or broken, please call 1-888-866-5797 as soon as possible.

Copyright© 2007 by Harbor Freight Tools®. All rights reserved.
No portion of this manual or any artwork contained herein may be reproduced in any shape or form without the express written consent of Harbor Freight Tools. Diagrams within this manual may not be drawn proportionally. Due to continuing improvements, actual product may differ slightly from the product described herein. Tools required for assembly and service may not be included.

⚠WARNING

Read this material before using this product. Failure to do so can result in serious injury. **SAVE THIS MANUAL.**

SPECIFICATIONS

Working air pressure:	25 - 60 PSI
Air Outlet Size:	1/8" - 27 NPS
Housing:	Brass chrome plated, with blue anodized aluminum needle cover.
Metal Cup:	5 cc
Glass Jar capacity:	22 cc
Glass Jar size:	1-3/8" Diameter X 1-7/8" H
Nozzle size:	.35 mm
Air Brush dimensions:	6" L X 1-7/8" W X 3-1/2" H
Air flow adjustable control:	Manometer finger lever pressure regulator.

Save This Manual

You will need this manual for the safety warnings and precautions, assembly, operating, inspection, maintenance and cleaning procedures, parts list and assembly diagram. Keep your invoice with this manual. Write the invoice number on the inside of the front cover. Write the product's serial number in the back of the manual near the assembly diagram, or write month and year of purchase if product has no serial number. Keep this manual and invoice in a safe and dry place for future reference.

GENERAL SAFETY RULES



READ AND UNDERSTAND ALL INSTRUCTIONS
Failure to follow all instructions listed below may result in
electric shock, fire, and/or serious injury.
SAVE THESE INSTRUCTIONS

WORK AREA

1. **Keep your work area clean and well lit.** Cluttered benches and dark areas invite accidents.
2. **Wear protection.** Always wear ANSI-approved safety goggles when using or servicing this Air Brush. Follow all safety warnings for the paint you are using.
3. Do not exceed maximum air pressure of 60 PSI.
4. Do not operate in explosive atmospheres, such as in the presence of flammable liquids, gases, or dust. Doing so may create sparks which may ignite the dust or fumes.

5. Keep bystanders, children, and visitors away while operating. Provide barriers or shields as needed.
6. **Store idle tools out of reach of children.** This Air Brush should not be in the hands of untrained users. It is not a toy and may be damaged if not used properly. Never allow children to play with this product.
7. **Maintain tools with care. Keep cutting tools clean.** Do not use a damaged tool. Tag damaged tools “Do not use” until repaired.
8. Use only accessories that are recommended by the manufacturer for your model. Accessories that may be suitable for one tool may become hazardous when used on another tool.

SERVICE

1. **Service must be performed only by qualified repair personnel.** Service or maintenance performed by unqualified personnel could result in damage to this Air Brush.
2. **When servicing this Air Brush, use only identical replacement parts. Follow instructions in the “*Inspection, Maintenance, And Cleaning*” section of this manual.**

SPECIFIC SAFETY RULES

1. **Maintain labels and nameplates on the tool.** These carry important information. If unreadable or missing, contact Harbor Freight Tools for a replacement.
2. **This Air Brush is for spray painting only:** Never use it for spraying gasoline, kerosene or other flammable solvent.
3. **Avoid injury:** NEVER direct compressed air from Air Brush at people or animals. NEVER direct airflow at eyes or ears.
4. Always maintain adequate ventilation, especially during clean up. Be sure to where ANSI-approved safety goggles and face mask whenever appropriate.

NOTE: All paints used with this Air Brush are fast drying by design and can seriously damage your tool if they are not flushed immediately after usage. NEVER let product sit inside the Air Brush unit for an extended period of time. Most of the paint you will be using can dry in minutes, or less.

UNPACKING

When unpacking, check to make sure that the is intact and undamaged. If any parts are missing or broken, please call Harbor Freight Tools at the number shown on the cover of this manual as soon as possible.

ASSEMBLY INSTRUCTIONS

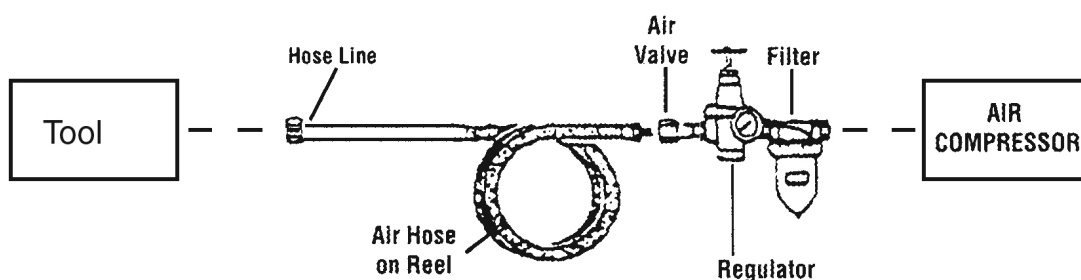
NOTE: For additional information regarding the parts listed in the following pages, refer to the Assembly Diagram near the end of this manual.

Though the Air Brush Housing (8) comes assembled, you still must hook up the Air Brush to the air supply. See Figure 1 for the recommended air line components and attachments.

WARNING! Make sure the Air Brush Housing (8) is detached from its air supply before making any adjustments to the tool.

NOTE: READ ALL INSTRUCTIONS BEFORE USING THIS PRODUCT

Figure 1



NOTE: For best service, you should incorporate a regulator and in-line filter as shown in **Figure 1** above. Hoses, couplers, regulators and filters are all available at Harbor Freight Tools.

1. Once you have the Air Brush hooked up to the air supply, fill the Glass Jar (31) about one half to three quarters full after you've thinned your paint properly.
2. Hold the Air Brush Housing (8) lightly in your hand and push the tapered fitting on the lid of the Glass Jar Assembly (31) into the base of the Air Brush Housing (8). It is held in place with friction and is not threaded.

OPERATION INSTRUCTIONS

NOTE: Use the proper solvent for thinning. Use lacquer for all lacquers, paint thinner/mineral spirits for all oil based paints and clean water for all latex based paints. Carefully read the labels of the paint you are using for correct thinning and cleaning up of tools.

1. Make sure you are operating at a maximum air pressure of 60 PSI. Always do a test spray before starting on your project.

2. Press the Finger Lever (10) and air will flow from the Nozzle (3). Draw back slowly/gently on the Finger Lever (10) and the fluid will atomize. Continue to move the Lever (10) back slowly to achieve the volume you need for your spray technique.


NOTE: Test spraying on another piece of material is a must in order to make sure you have the right air pressure and that your paint is properly thinned.

3. Continue to adjust the spray volume by using the Finger Lever (10), moving it front to back. When you have the correct spray volume, you may fix the position using the Adjustment Screw (9).
4. The size of your spray pattern will be in accordance with the distance between the work surface and the Nozzle (3) of the Air Brush. For extra-fine spray, remove the Protective Cap (1) and hold the Air Brush nearer the work surface.
5. When you are finished painting, loosen the Adjustment Screw (9) and gently release the pressure on the Finger Lever (10).

NOTE: If when you are using this Air Brush any fluid blocks the Nozzle (3). Move the Needle Chucking Guide (13) back and forth. If this method does not clear the Nozzle (3) try loosening the Needle Adjustment Screw (18) to allow the blocked fluid to escape, clearing the Nozzle (3).

6. After flushing the Air Brush completely with the proper solvent: lacquer thinner if you used lacquer paint, paint thinner/mineral spirits if you used oil based enamels and clean water if you used latex paint, spray the remaining solvent through the Nozzle (3) until clear solvent sprays from the Air Brush tip.
7. The Metal Cup (28) has two uses. It is used for excess correctly thinned paint, and also for solvent when it is time to clean the Air Brush. The Metal Hook (30) can be attached to a secure surface and used to hang the Air Brush for drying, or when it is not being used.

INSPECTION, MAINTENANCE, AND CLEANING

1.  **WARNING!** Make sure the Air Brush is detached from it's air supply before performing any inspection, maintenance, or cleaning procedures.
2. **BEFORE EACH USE**, inspect the condition of the tool. Check for loose screws and any condition that may affect its operation. **Do not use damaged equipment.**

MAINTENANCE CHART						
Maintenance Type	Before Use	After Use	Weekly	Monthly	Every 6 Months	Yearly
Inspect Air Brush for damage (see #2, above)	X					
Wipe off all parts with clean, moist cloth		X		X		

TROUBLESHOOTING

Problem	Possible Causes	Probable Solutions
Poor atomization of paint	<ol style="list-style-type: none">1. Air connecting not tight, or leaking.2. Paint not thinned properly. 3. Air Brush Nozzle (3) is partially plugged	<ol style="list-style-type: none">1. Check all air connections.2. Add more solvent in very small amounts to the paint you are using and mix thoroughly.3. Wash, or change the Air Brush Nozzle (3)

Record Product's Serial Number Here: _____

Note: If product has no serial number, record month and year of purchase instead.

Note: Some parts listed and shown on the following pages are for illustration purposes only, and are not available individually as replacement parts.

PLEASE READ THE FOLLOWING CAREFULLY

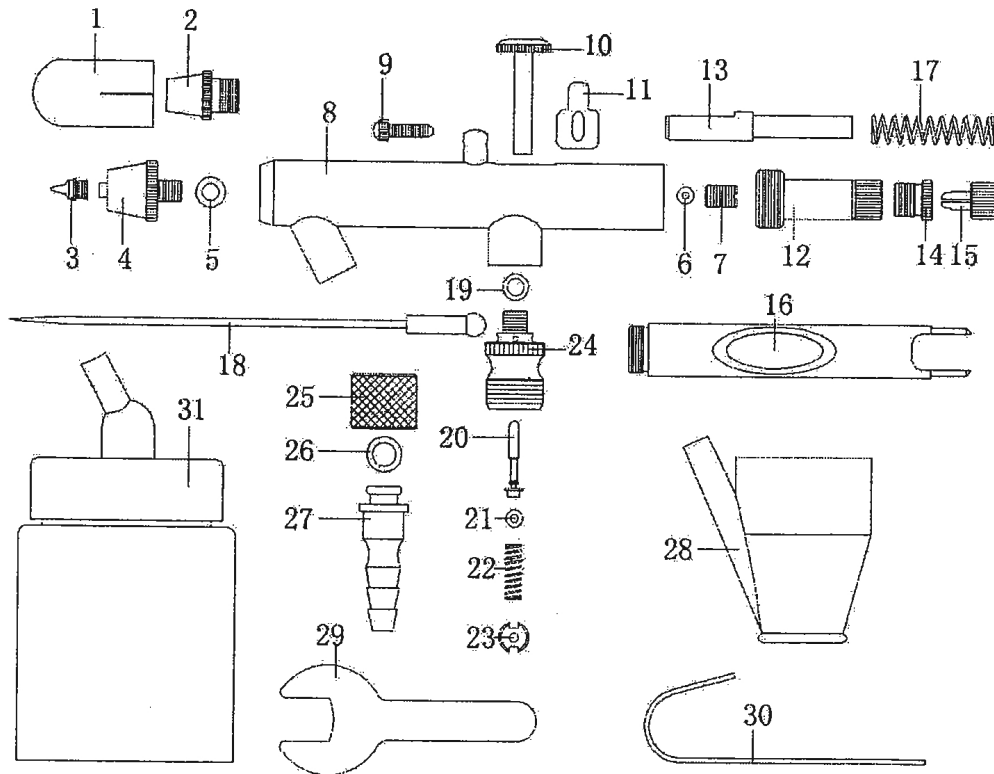
THE MANUFACTURER AND/OR DISTRIBUTOR HAS PROVIDED THE PARTS LIST AND ASSEMBLY DIAGRAM IN THIS MANUAL AS A REFERENCE TOOL ONLY. NEITHER THE MANUFACTURER OR DISTRIBUTOR MAKES ANY REPRESENTATION OR WARRANTY OF ANY KIND TO THE BUYER THAT HE OR SHE IS QUALIFIED TO MAKE ANY REPAIRS TO THE PRODUCT, OR THAT HE OR SHE IS QUALIFIED TO REPLACE ANY PARTS OF THE PRODUCT. IN FACT, THE MANUFACTURER AND/OR DISTRIBUTOR EXPRESSLY STATES THAT ALL REPAIRS AND PARTS REPLACEMENTS SHOULD BE UNDERTAKEN BY CERTIFIED AND LICENSED TECHNICIANS, AND NOT BY THE BUYER. THE BUYER ASSUMES ALL RISK AND LIABILITY ARISING OUT OF HIS OR HER REPAIRS TO THE ORIGINAL PRODUCT OR REPLACEMENT PARTS THERETO, OR ARISING OUT OF HIS OR HER INSTALLATION OF REPLACEMENT PARTS THERETO.

PARTS LIST

Part	Description	Q'ty
1	Protective Cap	1
2	Air Cap	1
3	Nozzle	1
4	Air Cap Body	1
5	O-Ring	1
6	Packing	1
7	Packing Nut	1
8	Air Brush Housing	1
9	Needle Adjustment Screw	1
10	Finger Lever	1
11	Rocker	1
12	Needle Adjusting Sleeve	1
13	Needle Chucking Guide	1
14	Valve Screw	1
15	Needle Chucking Nut	1
16	Needle Cover (Handle)	1

Part	Description	Q'ty
17	Spring	1
18	Needle	1
19	O-Ring	1
20	Valve Rod	1
21	O-Ring	1
22	Spring	1
23	Valve Screw	1
24	Valve Body	1
25	Hose Connector Nut	1
26	O-Ring for Hose Connector	1
27	Hose Connector	1
28	5cc Metal Cup	1
29	7MM Wrench	1
30	Metal Hanger	1
31	22cc Glass Jar Assembly	1

PARTS DIAGRAM



LIMITED 90 DAY WARRANTY

Harbor Freight Tools Co. makes every effort to assure that its products meet high quality and durability standards, and warrants to the original purchaser that this product is free from defects in materials and workmanship for the period of 90 days from the date of purchase. This warranty does not apply to damage due directly or indirectly, to misuse, abuse, negligence or accidents, repairs or alterations outside our facilities, criminal activity, improper installation, normal wear and tear, or to lack of maintenance. We shall in no event be liable for death, injuries to persons or property, or for incidental, contingent, special or consequential damages arising from the use of our product. Some states do not allow the exclusion or limitation of incidental or consequential damages, so the above limitation of exclusion may not apply to you. THIS WARRANTY IS EXPRESSLY IN LIEU OF ALL OTHER WARRANTIES, EXPRESS OR IMPLIED, INCLUDING THE WARRANTIES OF MERCHANTABILITY AND FITNESS.

To take advantage of this warranty, the product or part must be returned to us with transportation charges prepaid. Proof of purchase date and an explanation of the complaint must accompany the merchandise. If our inspection verifies the defect, we will either repair or replace the product at our election or we may elect to refund the purchase price if we cannot readily and quickly provide you with a replacement. We will return repaired products at our expense, but if we determine there is no defect, or that the defect resulted from causes not within the scope of our warranty, then you must bear the cost of returning the product.

This warranty gives you specific legal rights and you may also have other rights which vary from state to state.

CENTRALPNEUMATIC®