

CENTRAL PNEUMATIC®

**PNEUMATIC
AIR SCRAPER KIT**

Model 95826

ASSEMBLY AND OPERATION INSTRUCTIONS



Due to continuing improvements, actual product may differ slightly from the product described herein.



3491 Mission Oaks Blvd., Camarillo, CA 93011

Visit our website at: <http://www.harborfreight.com>

**TO PREVENT SERIOUS INJURY, READ AND UNDERSTAND
ALL WARNINGS AND INSTRUCTIONS BEFORE USE.**

Copyright© 2007 by Harbor Freight Tools®. All rights reserved. No portion of this manual or any artwork contained herein may be reproduced in any shape or form without the express written consent of Harbor Freight Tools.

For technical questions or replacement parts, please call 1-800-444-3353.

REV 11h

SPECIFICATIONS

Overall dimensions:	7-7/8" L X 1" W X 1-7/8" H X 1.18" O.D.
Handle dimensions:	2-3/4" L X 1-1/8" O.D.
Maximum strokes per minute:	3500 SPM
Working air pressure:	90 PSI (6.3 KG/CM ²)
Average air consumption:	4 CFM @ 90 PSI
Inlet thread:	1/4" - 18 NPT
Recommended air hose:	3/8" I.D.
Regulator adjusting type:	Knurled rotating knob (min ~ max)
Piston stroke length:	5/8"
Piston diameter:	1/2"
Activation method:	Trigger Paddle (spring loaded)
Blade Holder fastening method:	2 - Hex screws
1" wide Blade/Scraper:	Overall dimensions: 2-1/2" L X 1" W X Beveled ~ .113" Thick. Net weight: .14 lb. 2 - pieces
1-3/4" wide Blade/Scraper:	Overall dimensions: 3-1/4" L X 1-3/4" W X Beveled ~ .113" Thick. Net weight: .11 lb. 1 - piece
1-3/8" Diagonal/Scraper:	Overall dimensions: 2-3/4" L X 1-3/8" W X Beveled ~ .114" Thick. Net weight: .07 lb. 1 - piece
1-3/4" Bent/Wide/Scraper:	Overall dimensions: 3" L X 1-3/4" W X Beveled ~ .114" Thick. Net weight: 015 lb. 1 - piece

Save This Manual

You will need this manual for the safety warnings and precautions, assembly, operating, inspection, maintenance and cleaning procedures, parts list and assembly diagram. Keep your invoice with this manual. Write the invoice number on the inside of the front cover. Write the product's serial number in the back of the manual near the assembly diagram, or write month and year of purchase if product has no serial number. Keep this manual and invoice in a safe and dry place for future reference.

GENERAL SAFETY RULES



READ AND UNDERSTAND ALL INSTRUCTIONS
Failure to follow all instructions listed below may result in
electric shock, fire, and/or serious injury.
SAVE THESE INSTRUCTIONS

WORK AREA

1. **Keep your work area clean and well lit.** Cluttered benches and dark areas invite accidents.
2. **Wear eye protection.** Always wear ANSI-approved safety glasses, full face mask, dust mask/respirator, work gloves, non-skid hard toed shoes, long sleeved shirt and long pants when using or servicing this Air Scraper.
3. **Do not exceed working air pressure of 90 PSI.**
4. **Do not operate the Air Scraper in explosive atmospheres, such as in the presence of flammable liquids, gases, or dust.** Power tools create sparks which may ignite the dust or fumes.
5. **Keep bystanders, children, and visitors away while operating the Air Scraper.** Distractions can cause you to lose control. Protect others in the work area from debris such as chips and sparks. Provide barriers or shields as needed.
6. **Do not expose the Air Scraper to rain or wet conditions.**

PERSONAL SAFETY

1. **Stay alert. Watch what you are doing, and use common sense when operating a power tool. Do not use the Air Scraper while tired or under the influence of drugs, alcohol, or medication.** A moment of inattention while operating power tools may result in serious personal injury.
2. **Dress properly. Do not wear loose clothing or jewelry. Contain long hair. Keep your hair, clothing, and gloves away from moving parts.** Loose clothes, jewelry, or long hair can be caught in moving parts.
3. **Avoid accidental starting. Be sure the Air Scraper is disconnected from the air supply until you are ready to use.** Carrying the Air Scraper with your finger on the Trigger invites accidents.
4. **Do not overreach. Keep proper footing and balance at all times.** Proper footing and balance enables better control of the power tool in unexpected situations.

TOOL USE AND CARE

1. **Use clamps (not included) or other practical ways to secure and support the workpiece to a stable platform.** Holding the work by hand or against your body is unstable and may lead to loss of control.
2. **Do not force the tool. Use the correct Scraper Blade for your application.** The correct Blade will do the job better and safer at the rate for which it is designed. Do not force the Air Scraper and do not use it for a purpose for which it is not intended.

3. **Store idle tools out of reach of children and other untrained persons.** Tools are dangerous in the hands of untrained users. Never allow children to come in contact with this product.
4. **Maintain tools with care. Keep Scraper Blades sharp and clean.** Properly maintained tools with a sharp cutting edge are less likely to bind and are easier to control. Do not use a damaged tool. Tag damaged tools “Do not use” until repaired.
5. **Check for misalignment or binding of moving parts, breakage of parts, and any other condition that may affect the Air Scraper’s operation. If damaged, have the tool serviced before using.** Many accidents are caused by poorly maintained tools.
6. **Use only accessories that are recommended by the manufacturer for your model.** Accessories that may be suitable for one tool may become hazardous when used on another tool.

SERVICE

1. **Tool service must be performed only by qualified repair personnel.** Service or maintenance performed by unqualified personnel could result in a risk of injury.
2. **When servicing this Air Scraper, use only identical replacement parts. Follow instructions in the “*Inspection, Maintenance, And Cleaning*” section of this manual.** Use of unauthorized parts or failure to follow maintenance instructions may create a risk of damage to the tool, or personal injury.

SPECIFIC SAFETY RULES

1. **Maintain labels and nameplates on the tool.** These carry important information. If unreadable or missing, contact Harbor Freight Tools for a replacement.
2. **This Air Scraper is for quickly removing paint, rust, glue and other materials from metal surfaces.**
NOTE: If you are using the Air Scraper to remove old gaskets, the work surface may need additional preparation before a new gasket can be installed.
3. **Maintain a safe working environment.** Make sure there is adequate surrounding workspace. Do not use this product in a damp or wet location.
4. **When using this Air Scraper, always maintain a firm grip on the tool with both hands to resist starting torque.**
5. **Avoid unintentional starting.** Make sure to unlock the Safety Lever (21) only when ready to begin work. Unlocking the Lever will allow you to press the Trigger. Make sure the Safety Lever is locked when attaching Scraper to the air supply.

6. **Never lay the Air Scraper down until it has come to a complete stop.** Moving parts can grab the surface and pull the tool out of your control.
7. **Do not allow children near this product.** When tool is not in use, store in a location that is out of reach of children.
8. **Never leave the Air Scraper unattended when it is plugged into an air supply.** Turn off the tool, and unplug it from its air supply before leaving.
9. **Make sure the Air Scraper is unplugged from its air supply before making any adjustments or service.**

WARNING! Some dust created by power sanding, sawing, grinding, drilling, and other construction activities, contains chemicals known [to the State of California] to cause cancer, birth defects or other reproductive harm. Some examples of these chemicals are:

Lead from lead-based paints

Crystalline silica from bricks and cement or other masonry products

Arsenic and chromium from chemically treated lumber

Your risk from these exposures varies, depending on how often you do this type of work. To reduce your exposure to these chemicals: work in a well ventilated area, and work with approved safety equipment, such as those dust masks that are specially designed to filter out microscopic particles. (California Health & Safety Code § 25249.5, *et seq.*)

WARNING! The brass components of this product contain lead, a chemical known to the state of California to cause birth defects (or other reproductive harm). (California Health & Safety code § 25249.5, *et seq.*)

UNPACKING

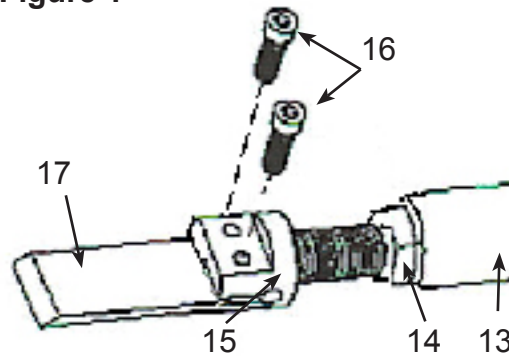
When unpacking, check to make sure that the item is intact and undamaged. If any parts are missing or broken, please call Harbor Freight Tools at the number shown on the cover of this manual as soon as possible.

ASSEMBLY INSTRUCTIONS

NOTE: For additional information regarding the parts listed in the following pages, refer to the Assembly Diagram near the end of this manual.

NOTE: The Air Scraper comes with one Scraper Blade (17) attached. If this is not the blade you choose to work with, follow these directions to change Scraper Blades.

Figure 1



1. Be sure the Handle is NOT attached to an air supply and that the Safety Lever (21) is locked. Loosen the two Blade Lock Screws (16) located on the Blade Holder (15) using the Allen Wrench (20). Slide the Scraper Blade you want to remove out of the slot and insert the Scraper Blade you wish to use. Tighten the Blade Lock Screws (16) firmly with the Allen Wrench (20). See **Figure 1**.
2. Reattach the Air Scraper to the air supply. The Air Scraper is now ready for use.

OPERATION INSTRUCTIONS

Note: Always wear safety equipment (see page 3), including work gloves, when using this tool.

1. Unlock the Safety Lever (21). Always carefully check the air pressure by lightly pressing on the Trigger Arm (7). The air pressure can be regulated by twisting the Regulator (3) at the rear of the Handle (1). Test the Scraper Blade (17) gently against the surface you are working with until you have the correct pressure you need.
2. The speed of the Scraper Blade (17) can be regulated by how much pressure is exerted on the Trigger Arm (7). The speed increases as you apply downward motion on the Trigger Arm (7) and decreases as you let the Trigger Arm (7) return to its original position.
3. Release the Trigger Arm (7) to stop the motion of the Scraper Blade (17).
4. Use an angle and level that will not gouge the work surface. You may want to test the Air Scraper against another surface in order not to damage the surface you will be working with.
5. Always detach the air supply if when you are finished using the Air Scraper, or if you will be away from your work for any length of time.

INSPECTION, MAINTENANCE, AND CLEANING

1. **⚠ WARNING!** Make sure the Air Scraper is unplugged from its air supply before performing any inspection, maintenance, or cleaning procedures.

2. **BEFORE EACH USE**, inspect the general condition of the Air Scraper. Check for loose screws, misalignment or binding of moving parts, cracked or broken parts, damaged air hoses, and any other condition that may affect its safe operation. If abnormal noise or vibration occurs, have the problem corrected before further use. **Do not use damaged equipment.**
3. **ALWAYS WEAR A PAIR OF ANSI-APPROVED SAFETY GLASSES, FULL FACE SHIELD AND WORK GLOVES WHEN SERVICING OR WORKING WITH THIS AIR SCRAPER.**

MAINTENANCE CHART						
Maintenance Type	Before Use	After Use	Weekly	Monthly	Every 6 Months	Yearly
Inspect the Air Scraper for damage (see #2, above)	X	X				
Wipe off with clean, moist cloth		X		X		X

TROUBLESHOOTING

Problem	Possible Causes	Probable Solutions
Air Scraper will not start	<ol style="list-style-type: none"> 1. Air supply is not hooked up. 2. Regulator (3) is not turned up. 3. Problem with air compressor. 	<ol style="list-style-type: none"> 1. Check air supply and hoses for proper attachment. 2. Turn up your Regulator (3) 3. Check the air compressor for proper air hook ups and make sure it is plugged in to a proper outlet. Check the manufactures manual for the air compressor you are using. Follow all procedures and warnings.

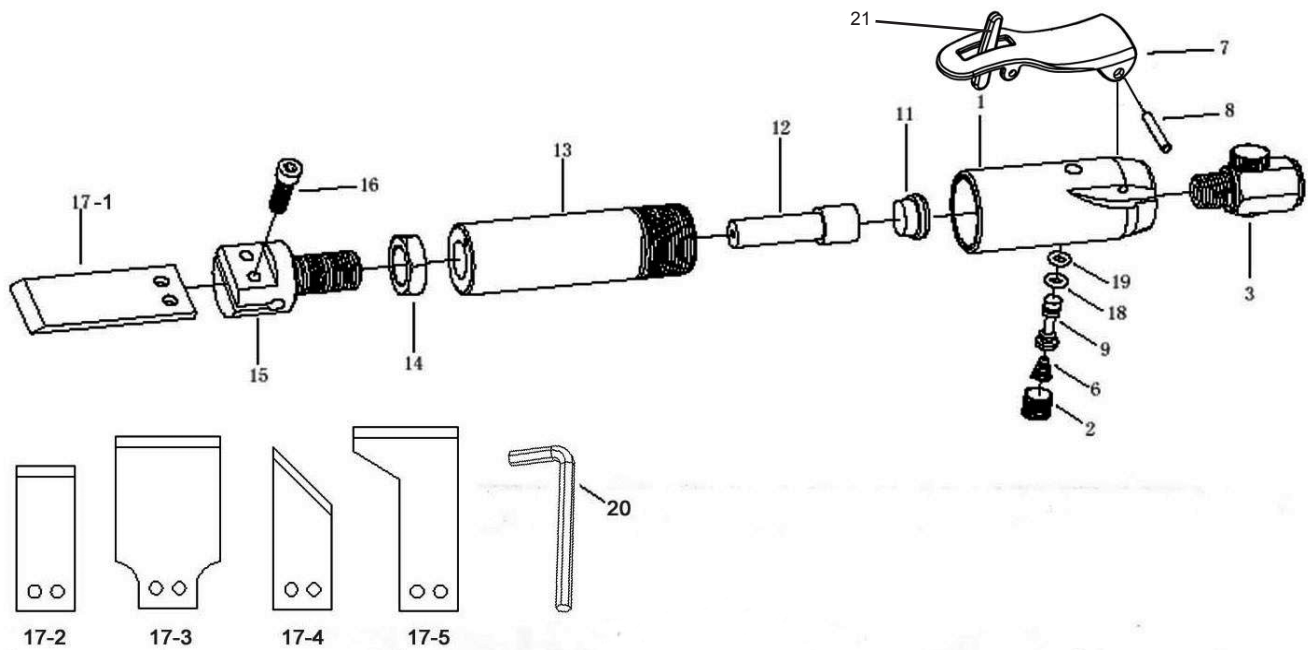
PLEASE READ THE FOLLOWING CAREFULLY

THE MANUFACTURER AND/OR DISTRIBUTOR HAS PROVIDED THE PARTS LIST AND ASSEMBLY DIAGRAM IN THIS MANUAL AS A REFERENCE TOOL ONLY. NEITHER THE MANUFACTURER OR DISTRIBUTOR MAKES ANY REPRESENTATION OR WARRANTY OF ANY KIND TO THE BUYER THAT HE OR SHE IS QUALIFIED TO MAKE ANY REPAIRS TO THE PRODUCT, OR THAT HE OR SHE IS QUALIFIED TO REPLACE ANY PARTS OF THE PRODUCT. IN FACT, THE MANUFACTURER AND/OR DISTRIBUTOR EXPRESSLY STATES THAT ALL REPAIRS AND PARTS REPLACEMENTS SHOULD BE UNDERTAKEN BY CERTIFIED AND LICENSED TECHNICIANS, AND NOT BY THE BUYER. THE BUYER ASSUMES ALL RISK AND LIABILITY ARISING OUT OF HIS OR HER REPAIRS TO THE ORIGINAL PRODUCT OR REPLACEMENT PARTS THERETO, OR ARISING OUT OF HIS OR HER INSTALLATION OF REPLACEMENT PARTS THERETO.

PARTS LIST

Part	Description	Q'ty	Part	Description	Q'ty
1	Handle	1	13	Cylinder	1
2	Plug Screw	1	14	Lock Nut	1
3	Regulator	1	15	Blade Holder	1
6	Spring	1	16	Blade Lock Screw	2
7	Trigger Arm	1	17	Scraper Blade	5
8	Roll Pin	1	18	O - Ring	1
9	Trigger Stem	1	19	O - Ring	1
11	Upper Valve	1	20	Allen Wrench	1
12	Piston	1	21	Safety Lever	1

ASSEMBLY DIAGRAM



REV 07h

90 DAY WARRANTY

Harbor Freight Tools Co. makes every effort to assure that its products meet high quality and durability standards, and warrants to the original purchaser that this product is free from defects in materials and workmanship for the period of 90 days from the date of purchase. This warranty does not apply to damage due directly or indirectly, to misuse, abuse, negligence or accidents, repairs or alterations outside our facilities, criminal activity, improper installation, normal wear and tear, or to lack of maintenance. We shall in no event be liable for death, injuries to persons or property, or for incidental, contingent, special or consequential damages arising from the use of our product. Some states do not allow the exclusion or limitation of incidental or consequential damages, so the above limitation of exclusion may not apply to you. This warranty is expressly in lieu of all other warranties, express or implied, including the warranties of merchantability and fitness.

To take advantage of this warranty, the product or part must be returned to us with transportation charges prepaid. Proof of purchase date and an explanation of the complaint must accompany the merchandise. If our inspection verifies the defect, we will either repair or replace the product at our election or we may elect to refund the purchase price if we cannot readily and quickly provide you with a replacement. We will return repaired products at our expense, but if we determine there is no defect, or that the defect resulted from causes not within the scope of our warranty, then you must bear the cost of returning the product.

This warranty gives you specific legal rights and you may also have other rights which vary from state to state.

3491 Mission Oaks Blvd. • PO Box 6009 • Camarillo, CA 93011 • (800) 444-3353

Record **Product's Serial Number Here:** _____

NOTE: If product has no serial number, record month and year of purchase instead.

NOTE: Some parts are listed and shown for illustration purposes only and are not available individually as replacement parts.

REV 11h