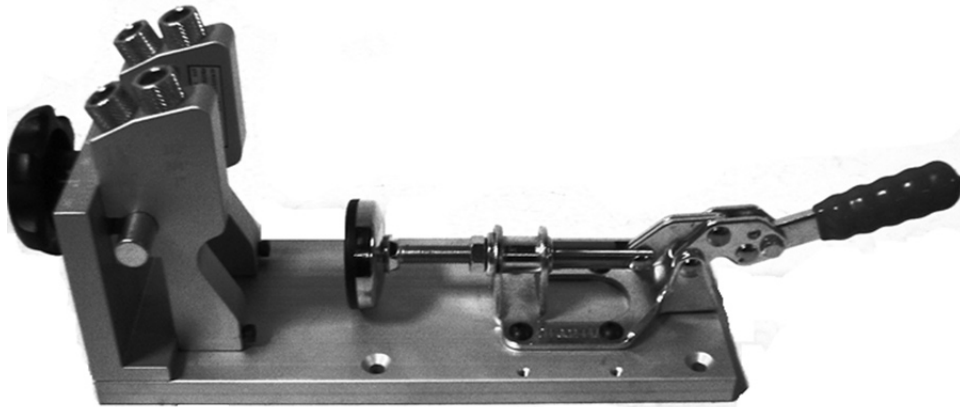




PORTABLE POCKET HOLE JIG WITH ACCESSORIES

Model 96264

ASSEMBLY AND OPERATION INSTRUCTIONS



Due to continuing improvements, actual product may differ slightly from the product described herein.



3491 Mission Oaks Blvd., Camarillo, CA 93011

Visit our website at: <http://www.harborfreight.com>

**TO PREVENT SERIOUS INJURY, READ AND UNDERSTAND
ALL WARNINGS AND INSTRUCTIONS BEFORE USE.**

Copyright© 2007 by Harbor Freight Tools®. All rights reserved. No portion of this manual or any artwork contained herein may be reproduced in any shape or form without the express written consent of Harbor Freight Tools.

For technical questions or replacement parts, please call 1-800-444-3353.

SPECIFICATIONS

Materials	Main Body: Anodized Aluminum Toggle Clamp: Zinc-plated Steel Thermoplastic knobs and grips
Accessories	2.5 & 3.0mm Hex Wrenches 3/8" Wood Drill Bit 1 Depth Collar 25 5/8" Wood Screws 25 1" Wood Screws 25 1-1/4" Wood Screws 25 1-1/2" Wood Screws 4 Countersink Mounting Screws 2 Adjusting Cap Screws
Weight	4.45 Pounds

Save This Manual

You will need this manual for the safety warnings and precautions, assembly, operating, inspection, maintenance and cleaning procedures, parts list and assembly diagram. Keep your invoice with this manual. Write the invoice number on the inside of the front cover. Write the product's serial number in the back of the manual near the assembly diagram, or write month and year of purchase if product has no number. Keep this manual and invoice in a safe and dry place for future reference.

GENERAL SAFETY RULES

 **WARNING!**

READ AND UNDERSTAND ALL INSTRUCTIONS
Failure to follow all instructions listed below may result in
electric shock, fire, and/or serious injury.
SAVE THESE INSTRUCTIONS

WORK AREA

1. **Keep your work area clean and well lit.** Cluttered benches and dark areas invite accidents.
2. **Keep bystanders and children away while operating a this tool.** Distractions can cause you to lose control. Protect others in the work area from debris such as chips and sparks. Provide barriers or shields as needed.
3. **Stay alert. Watch what you are doing, and use common sense when operating a this tool. Do not use while tired or under the influence of drugs, alcohol, or medication.** A moment of inattention while operating may result in serious personal injury.

4. **Dress properly. Do not wear loose clothing or jewelry. Contain long hair. Keep your hair, clothing, and gloves away from moving parts.** Loose clothes, jewelry, or long hair can be caught in moving parts.
5. **Do not overreach. Keep proper footing and balance at all times.** Proper footing and balance enables better control of the tool in unexpected situations.
6. **Use safety equipment. Always wear eye protection.** Dust mask, nonskid safety shoes, hard hat, or hearing protection must be used for appropriate conditions. Always wear ANSI-approved safety goggles and a dust mask/respirator when using or performing maintenance on this tool.
7. **Do not force the tool. Use the correct tool for your application.** The correct tool will do the job better and safer at the rate for which it is designed. Do not force the tool and do not use the tool for a purpose for which it is not intended.
8. **Store idle tools out of reach of children and other untrained persons.** Tools are dangerous in the hands of untrained users. Never allow children to play with the Pocket Hole Jig or any of the accessories.
9. **Maintain tool with care. Keep drill bit sharp and clean.** Properly maintained tools with a sharp cutting edge are less likely to bind and are easier to control. Do not use a damaged tool. Tag damaged tools “Do not use” until repaired.
10. **Check for misalignment or binding of moving parts, breakage of parts, and any other condition that may affect the tool’s operation. If damaged, have the tool serviced before using.** Many accidents are caused by poorly maintained tools.
11. **Use only accessories that are recommended by the manufacturer for your model.** Accessories that may be suitable for one tool may become hazardous when used on another tool.
12. **Maintain labels and nameplates on the tool.** These carry important information. If unreadable or missing, contact Harbor Freight Tools for a replacement.
13. **Maintain a safe working environment.** Make sure there is adequate surrounding workspace. Do not use this product in a damp or wet location.
14. **When using a handheld power tool, always maintain a firm grip on the tool with both hands to resist starting torque.**
15. **WARNING: Some dust created by power sanding, sawing, grinding, drilling, and other construction activities, contains chemicals known [to the State of California] to cause cancer, birth defects or other reproductive harm.** Some examples of these chemicals are:
 - Lead from lead-based paints
 - Crystalline silica from bricks and cement or other masonry products
 - Arsenic and chromium from chemically treated lumberYour risk from these exposures varies, depending on how often you do this type of

work. To reduce your exposure to these chemicals: work in a well ventilated area, and work with approved safety equipment, such as those dust masks that are specially designed to filter out microscopic particles. (California Health & Safety Code § 25249.5, *et seq.*)

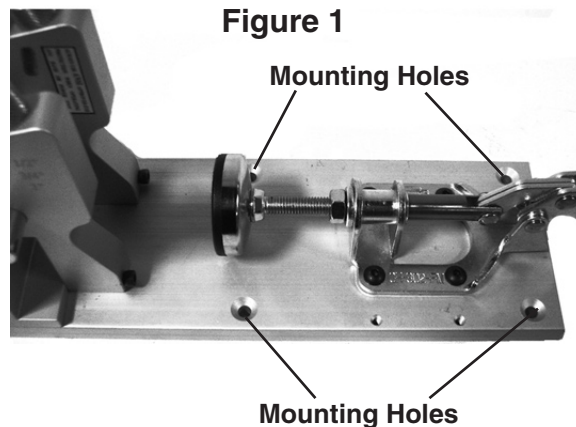
UNPACKING

When unpacking, check to make sure that the item is intact and undamaged. If any parts are missing or broken, please call Harbor Freight Tools at the number shown on the cover of this manual as soon as possible.

ASSEMBLY/OPERATION INSTRUCTIONS

Note: For additional information regarding the parts listed in the following pages, refer to the Assembly Diagram near the end of this manual.

1. The Pocket Hole Jig can be mounted to a wooden workbench with the included Mounting Screws (28) using the four recessed mounting holes in the Base (1) through the use of the portable “L” Base (25). It can also be used in a purely portable fashion. **(See Figure 1)**



Note: If the Pocket Hole Jig is going to be used as a portable device, it is advised that it be mounted on a piece of scrap wood (not included). Mounting the Pocket Hole Jig to a piece of wood increases the stability of the tool and improves performance.

2. Slide the Drill Guides (4 & 5) onto the Drill Guide Rod (3). The drill bit measurements on the Inscribed Drill Guide (4) should be facing outwards. **(See Figure 2)**
3. Align the indexing lines on the back of the Drill Guides (5) with the rule on top of the mounting bracket.

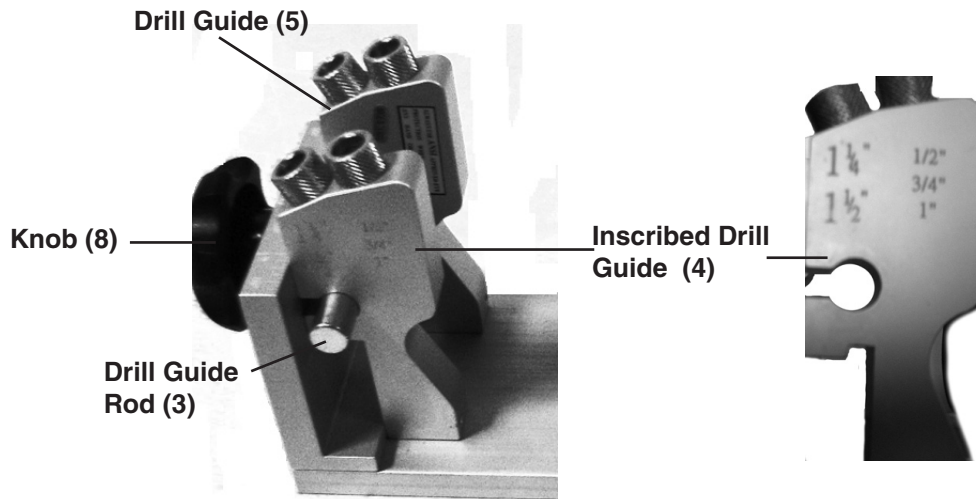


Figure 2

4. Tighten the Knob (8) until the Drill Guides are held securely in the proper location for drilling.
5. Square the two workpieces to be joined and mark the intended drilling area. Set one of the workpieces between the Drill Guides and the Toggle Clamp (13). Back off the nut in the Toggle Clamp screw and turn the screw all the way into the sleeve. Swing the Toggle Handle (12) all the way forward. Unscrew the Toggle Clamp (13) until the soft face of the clamp rests against the workpiece. Ease back on the hand and back off the screw by one-eighth of a turn. Turn the locking nut and force it against the sleeve (finger tight). For increased clamping force, the screw length may further be extended by rotating it in or out of the sleeve. **(See Figure 3)**

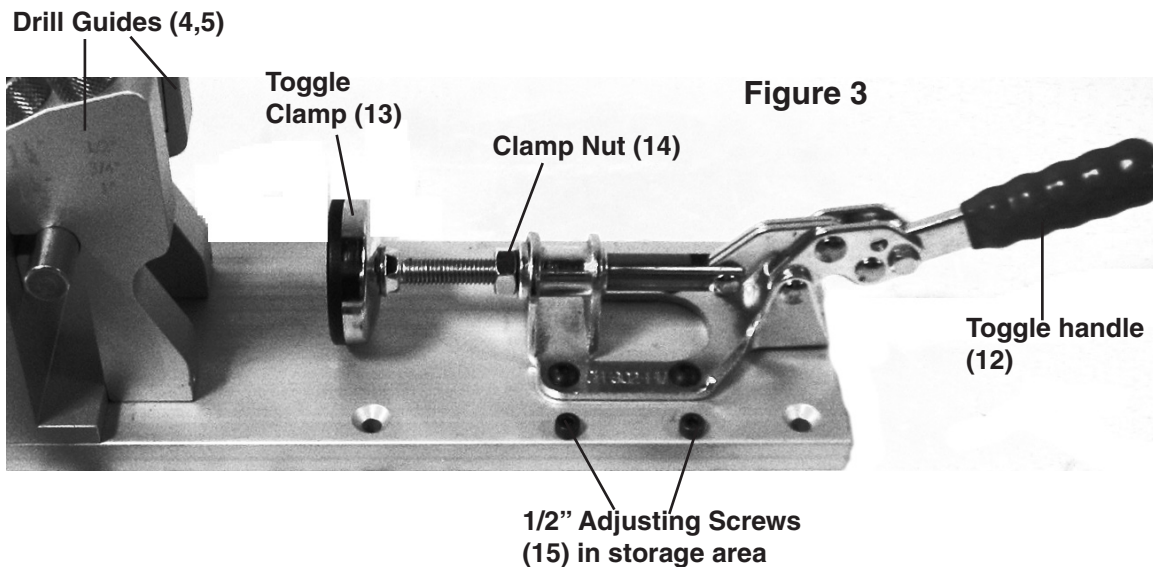
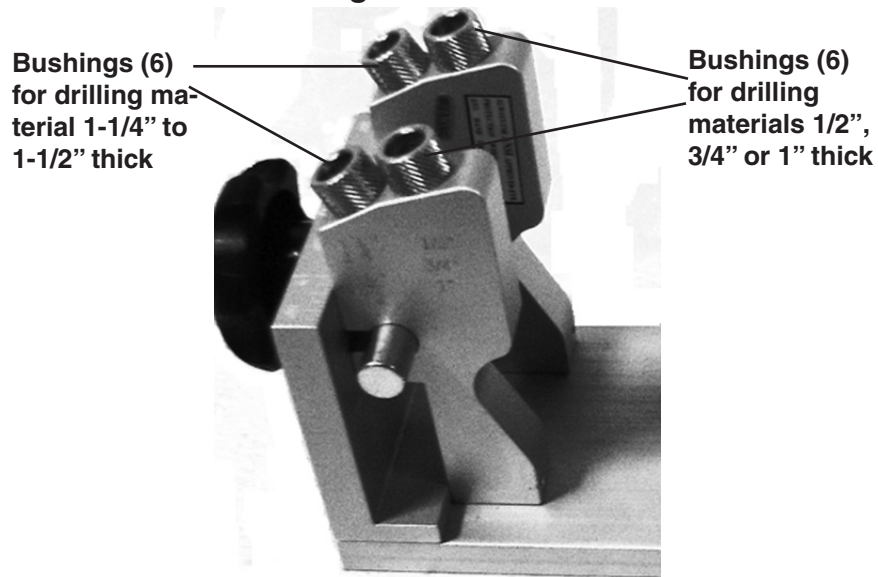


Figure 3

Note: Secure workpiece only as tightly as needed to hold solidly. Overtightening the Toggle Clamp (13) can damage wood pieces, especially soft woods, such as pine, cedar etc.

6. Choose the distance desired between the pocket holes and use the ruler on top of the fixed L Base (2) to adjust the workpiece as needed in the Pocket Hole Jig.
7. The Bushings (2) on the Drill Guides (4,5) are intended for different size materials. For materials 1-1/4" and 1-1/2" thick, use the Bushings closest to the Knob (8). For materials 1/2", 3/4" or 1" thick use the Bushings that are nearest to the Toggle clamp (13).

Figure 4



NOTE: To drill 1/2" material only: In order to drill 1/2" material correctly, the two 1/2" Elevation Screws (15) need to be screwed into the lower face of the Drill Guides (4,5). After the 1/2" Elevation Screws are in place, the workpiece must be rested **on top** of the 1/2" Elevation Screws (15) before being secured by Toggle Clamp (13). If the 1/2" Elevation Screws (15) are not in place then any hole drilled in 1/2" material will not be correct. **(See Figure 5)**

Note: When not required, keep the Elevation Screws in the holes between the mounting holes, as shown in **Figure 3**.

8. Pocket holes do not go all the way through the piece of wood. To drill a proper pocket hole, the Depth Collar (23) is utilized. To limit the depth of the hole drilled, place the Depth

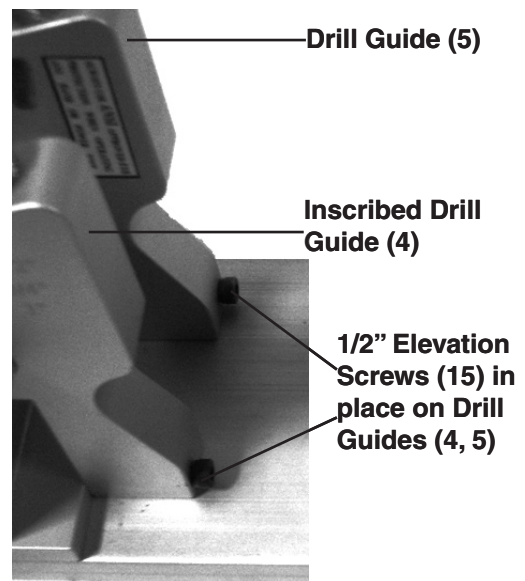


Figure 5

Collar (23) on the Step Drill Bit (22). Drilling depth is adjusted by changing the position of the Depth Collar (23) on the shank of the Step Drill Bit (22). The “Step” of the Drill Bit is the area where the Drill Bit portion stops and the plain metal rod portion begins. Attaching the Depth Collar closer to the Step will render a shallower hole, attaching the Depth Collar further from the Step will make a deeper pocket hole. When the depth is decided, secure the Depth Collar (23) by tightening the Set Screw (24) on the side with the 2.5mm Hex Wrench (20). **(See Figure 6)**

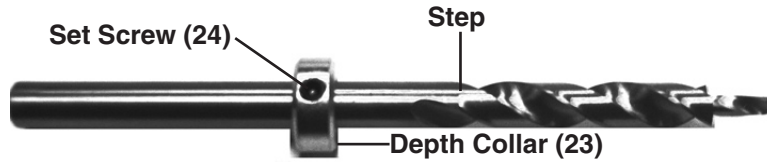


Figure 6

9. Place the Step Drill Bit (22), with the Depth Collar (23) attached, into a drill (not included) and tighten the drill chuck firmly. Without turning the drill on, place about half the length of the bit into the Drill Guide hole that has been selected, but do not yet engage the workpiece. Power the drill up to full speed and then slowly drill into the workpiece until the Depth Collar (23) reaches the top of the Drill Guide (6). Remove the Step Drill Bit (22) and repeat the process to drill other holes as needed.
10. Once drilling is complete, release the clamp, remove the workpiece from the Pocket Hole Jig, and clean away wood shavings.

Note: If using the included self-tapping screws (16-19) pocket holes only need to be drilled into one of the workpieces. No pre-drilling is required on the second workpiece.

11. Apply glue, (not included) if desired, to the ends being joined. Select the correct screw for the application and place it into the pocket hole. Screw into the second workpiece until the two pieces are tightly connected.

Portable L Base

1. The Portable L Base (25) allows the Drill Guides to be utilized without the entire Pocket Hole Jig being moved. Loosen the Knob (8) and remove both Drill Guides (4, 5) from the Drill Guide Rod.
2. Attach the Drill Guides (4, 5) to the Portable L Base (25), using the Socket Head Cap Screws (26) and Washers (27). Using the 3mm Hex Wrench (21), attach the Inscribed Drill Guide (4) to the fixed mounting hole on the right side of the Portable L Base. Attach the other Drill Guide (5) to the floating connection on the left side of the Portable L Base. **(See Figure 7)**

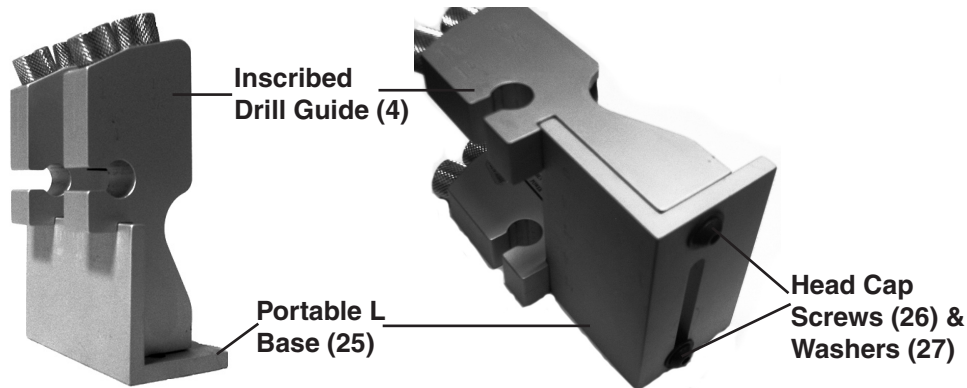


Figure 7

3. The Portable L Base (25) can now be used to drill pocket holes as described in the previous directions.

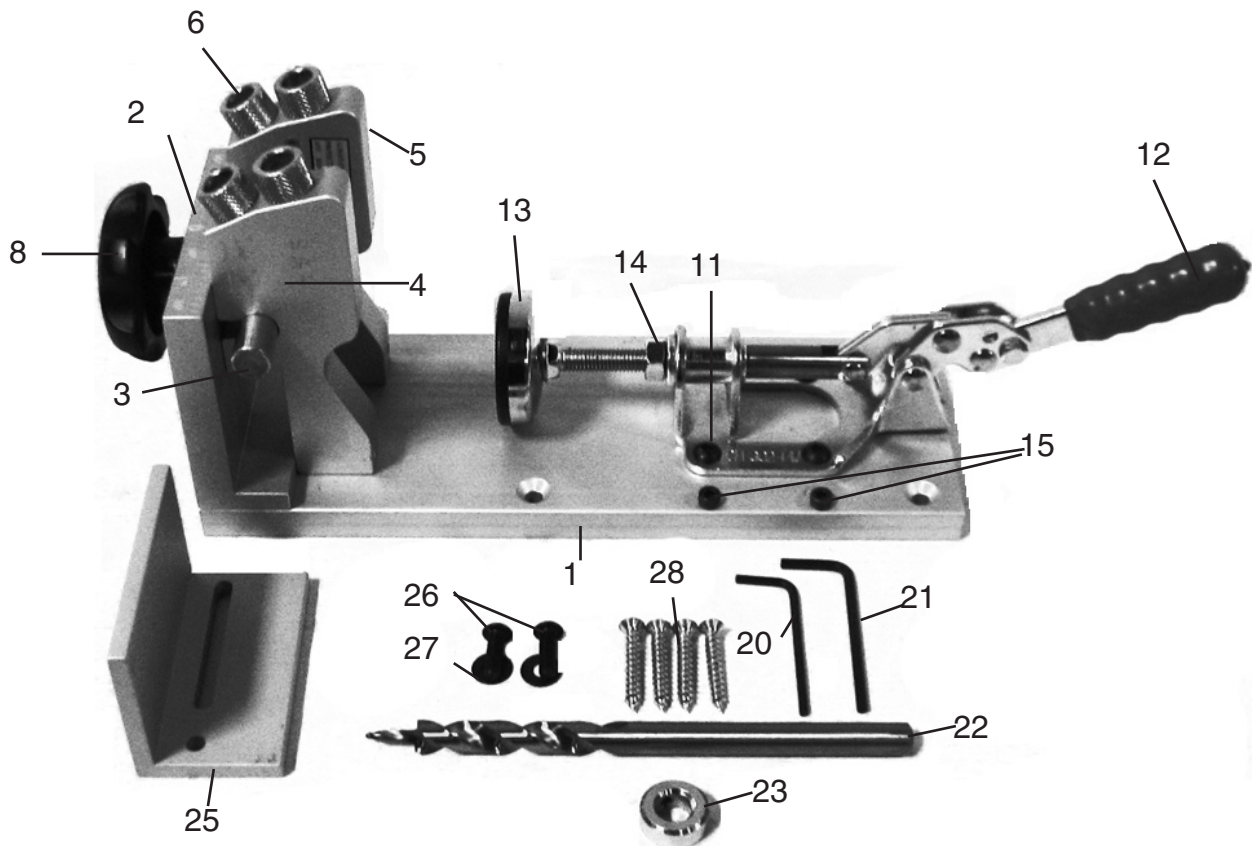
INSPECTION, MAINTENANCE, AND CLEANING

BEFORE EACH USE, inspect the general condition of the tool. Check for loose screws, misalignment or binding of moving parts, cracked or broken parts, and any other condition that may affect its safe operation. Do not use damaged equipment.

THE MANUFACTURER AND/OR DISTRIBUTOR HAS PROVIDED THE PARTS LIST AND ASSEMBLY DIAGRAM IN THIS MANUAL AS A REFERENCE TOOL ONLY. NEITHER THE MANUFACTURER OR DISTRIBUTOR MAKES ANY REPRESENTATION OR WARRANTY OF ANY KIND TO THE BUYER THAT HE OR SHE IS QUALIFIED TO MAKE ANY REPAIRS TO THE PRODUCT, OR THAT HE OR SHE IS QUALIFIED TO REPLACE ANY PARTS OF THE PRODUCT. IN FACT, THE MANUFACTURER AND/OR DISTRIBUTOR EXPRESSLY STATES THAT ALL REPAIRS AND PARTS REPLACEMENTS SHOULD BE UNDERTAKEN BY CERTIFIED AND LICENSED TECHNICIANS, AND NOT BY THE BUYER. THE BUYER ASSUMES ALL RISK AND LIABILITY ARISING OUT OF HIS OR HER REPAIRS TO THE ORIGINAL PRODUCT OR REPLACEMENT PARTS THERETO, OR ARISING OUT OF HIS OR HER INSTALLATION OF REPLACEMENT PARTS THERETO.

PARTS LIST & ASSEMBLY DIAGRAM

Part	Description	Qty	Part	Description	Qty
1	Base	1	15	1/2" Depth Elevation Screw M4x6mm	2
2	L Base (fixed)	1	16	5/8" self-tapping Screws	25
3	Drill Guide Rod	1	17	1" self-tapping Screws	25
4	Inscribed Drill Guide	1	18	1-1/4" self-tapping Screws	25
5	Drill Guide	1	19	1-1/2" self-tapping Screws	25
6	Bushings	4	20	2.5mm Hex Wrench	1
7	Washer 5/16" (not shown)	1	21	3mm Hex Wrench	1
8	Knob	1	22	3/8" Step Drill Bit	1
9	Countersink Head Cap Screw M5x20mm (not shown)	2	23	Depth Collar	1
10	Countersink Head Cap Screw M5x15mm (not shown)	1	24	2.5 mm Set Screw (not shown - in Depth Collar)	1
11	Socket Head Cap Screw M5x10mm	4	25	Portable L Base	1
12	Toggle Handle	1	26	Socket Head Cap Screws	2
13	Toggle Clamp	1	27	Washer	2
14	Clamp Nut	1	28	Mounting Screws	4



Record Product's Serial Number Here: _____

Note: If product has no serial number, record month and year of purchase instead.

Note: Some parts are listed and shown for illustration purposes only, and are not available individually as replacement parts.