



# 12V EMERGENCY VEHICLE REVOLVING LIGHT

**Model 96279**

## ASSEMBLY AND OPERATION INSTRUCTIONS



Diagrams within this manual may not be drawn proportionally.  
Due to continuing improvements, actual product may differ slightly from the product described herein.

**Distributed exclusively by Harbor Freight Tools®.**

3491 Mission Oaks Blvd., Camarillo, CA 93011

Visit our website at: <http://www.harborfreight.com>



**Read this material before using this product.  
Failure to do so can result in serious injury.  
SAVE THIS MANUAL.**

Copyright© 2007 by Harbor Freight Tools®. All rights reserved. No portion of this manual or any artwork contained herein may be reproduced in any shape or form without the express written consent of Harbor Freight Tools.

**For technical questions or replacement parts, please call 1-800-444-3353.**

---

## SPECIFICATIONS

---

Power Source	12V DC
Material	Polycarbonate lens, magnetic base
Magnetic Base Diameter	2.76"
Bulb Type	12V10 Krypton
Rubber Base	1/2" tear drop shape
Flashes Per Minute	90-120
Power Cord	Stretchable to 29-1/2" Long

### Save This Manual

You will need this manual for the safety warnings and precautions, assembly, operating, inspection, maintenance and cleaning procedures, parts list and assembly diagram. Keep your invoice with this manual. Write the invoice number on the inside of the front cover. Write the product's serial number in the back of the manual near the assembly diagram, or write month and year of purchase if product has no number. Keep this manual and invoice in a safe and dry place for future reference.

---

## GENERAL SAFETY RULES

---

 **WARNING!**

**READ AND UNDERSTAND ALL INSTRUCTIONS**  
**Failure to follow all instructions listed below may result in**  
**electric shock, fire, and/or serious injury.**  
**SAVE THESE INSTRUCTIONS**

1. **Keep your work area clean and well lit.** Cluttered benches and dark areas invite accidents.
2. **Do not use this product in rain or wet conditions.** Water entering this product will increase the risk of electric shock.
3. **Stay alert. Watch what you are doing, and use common sense when using this product. Do not use this product while tired or under the influence of drugs, alcohol, or medication.** A moment of inattention while operating this product may result in serious personal injury.
4. Keep out of the reach of any children. A responsible adult should be present if children are in the area while the Revolving Emergency Light is being used.
5. **Do not use the Revolving Emergency Light if the On/Off Switch does not turn it on or off.** Any product that cannot be controlled with the On/Off Switch is dangerous and must be replaced.

6. **Disconnect the Power Cord Plug from the power source before making any adjustments, changing accessories, or storing the Revolving Emergency Light. Always unplug the Revolving Emergency Light from its electrical outlet before performing any inspection, maintenance, or cleaning procedures.**
7. **Store idle equipment.** When not in use, make sure Revolving Emergency Light is cool to the touch and then store in a dry location to inhibit rust. Store an idle Revolving Emergency Light out of reach of children and other untrained persons. This product is dangerous in the hands of untrained users.
8. **Check for breakage of parts, and any other condition that may affect the Revolving Emergency Light operation. If damaged, have it serviced before using.** Many accidents are caused by poorly maintained products.
9. **Tool service must be performed only by qualified repair personnel.** Service or maintenance performed by unqualified personnel could result in a risk of injury.
10. **When servicing a tool, use only identical replacement parts. Follow instructions in the “*Inspection, Maintenance, And Cleaning*” section of this manual.** Use of unauthorized parts or failure to follow maintenance instructions may create a risk of electric shock or injury. The fuse in this unit must only be replaced with another Fuse of the same type.
11. **Maintain labels and nameplates on the tool.** These carry important information. If unreadable or missing, contact Harbor Freight Tools for a replacement.
12. **Never leave the Revolving Emergency Light unattended when it is plugged in.** Turn off the Revolving Emergency Light, and unplug it from its electrical outlet before leaving.
13. **Do not allow the Revolving Emergency Light to be exposed to fire or high heat as this may result in an explosion.**
14. **Only plug into a 12 V DC Cigarette Lighter Adapter receptacle.**
15. **Do not deplete the vehicle battery.** If possible, only use this product when the vehicle’s engine is running. If the engine is not running, do not use the Light for and extended period of time.
16. **Make sure the vehicle lighter socket has a minimum capacity of 12 amps.** Do not use a socket extension or pigtail to operate this Light.
17. **Follow all local and state laws regarding vehicles and lighting systems for vehicles, check with your local Department of Motor Vehicles or police station for guidelines.**
18. **The Revolving Emergency Light is not waterproof.** Do not submerge the Light, or use it in extremely wet conditions.

19. **Be careful to avoid scratching or damaging the surface of the vehicle with the Revolving Emergency Light. Harbor Freight Tools is not responsible for any damage to the vehicle, its exterior or interior paint or surfaces which result from use of the Revolving Emergency Light.**
20. **People with pacemakers should consult their physician(s) before using this product. Electromagnetic fields in close proximity to a heart pacemaker could cause interference to or failure of the pacemaker.**

---

## UNPACKING

---

When unpacking, check to make sure that the item is intact and undamaged. If any parts are missing or broken, please call Harbor Freight Tools at the number shown on the cover of this manual as soon as possible.

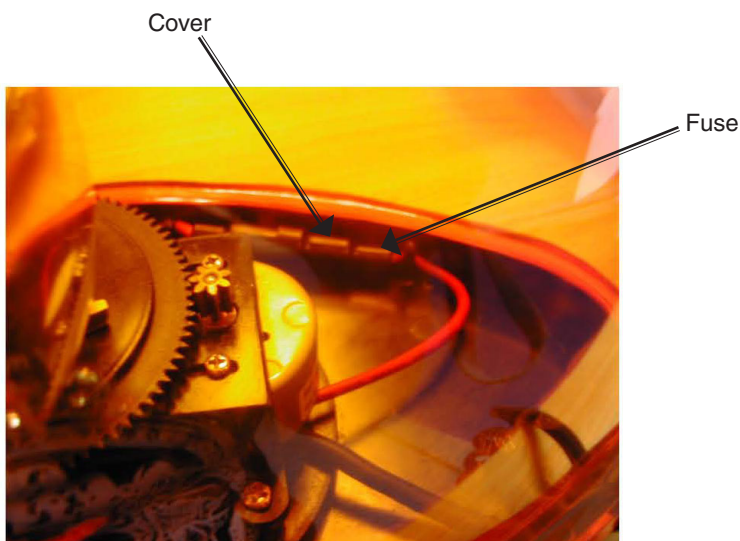
---

## ASSEMBLY INSTRUCTIONS

---

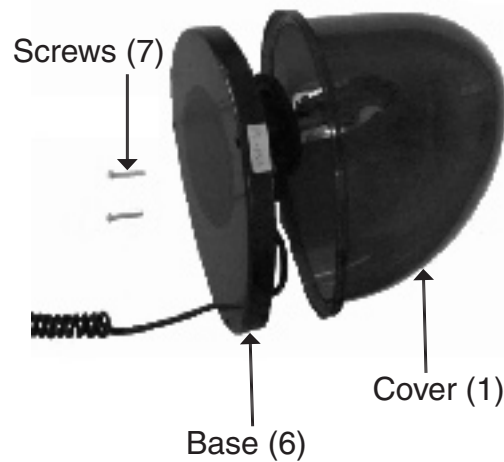
1. **⚠WARNING!** Make sure the On/Off Switch of the Revolving Emergency Light is in its "OFF" position and that it is unplugged from its electrical outlet before installation or replacing a fuse or bulb.
2. Your Revolving Emergency Light comes completely assembled. Instructions on replacing the Fuse and installing the Revolving Emergency Light are outlined on the following pages.

### Replacing the Fuse



1. If the Revolving Emergency Light fails to operate when plugged into the cigarette lighter adapter receptacle, the Fuse should be changed - see Figure 1.

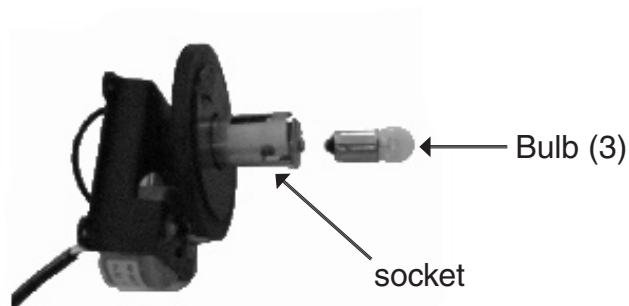
**Figure 2**



2. Unscrew each of the Screws (7) from the Base (6). Remove the Cover (1) from the Base (6)- see Figure 2.
3. Separate both sides of the Fuse Cover (16) and pull out the Fuse-see Figure 1.
4. Replace with a new Fuse. Do not replace with a different size fuse, as this may result in excessive heat and damage to the product. The new fuse must be of the same size and amperage.

### **Replacing the Bulb**

**Figure 3**



1. Unscrew each of the Screws (7) from the Base (6). Remove the Cover (1) from the Base (6).
2. Make certain to wear leather work gloves when replacing the Bulb. Gently but firmly grasp the Bulb (3). Applying slight pressure, push down on the Bulb (3) and twist it so that it slides out of the socket. Do not force the Bulb. If it does not move or come out of the socket with light pressure, have it replaced by a qualified service technician. Please refer to Figure 3.

3. Replace with a new Bulb. Press the Bulb into the socket so that the pin on the Bulb slides into the socket groove. Twist until it is firmly in the socket.

---

## OPERATION INSTRUCTIONS

---

1. The Revolving Emergency Light can be placed onto the vehicle as desired. The Light has a magnetic base which will adhere to metal surfaces.
2. Make certain that there is sufficient length in the Power Cord to reach the Cigarette lighter.
3. Plug the Cigarette Lighter Plug (17) into the lighter plug receptacle of your vehicle. Leave it plugged in while using the Revolving Emergency Light from your vehicle.
4. Place the Revolving Emergency Light onto the top of your vehicle.
5. Use the On/Off Switch to turn the Revolving Emergency Light "ON".
6. When the Revolving Emergency Light is not being used, turn "OFF" the Light, unplug the Cigarette Lighter Plug from the lighter plug receptacle and remove the Light from the top of your vehicle. Gently pull the Light off; do not slide it off. Sliding the light off of your vehicle may result in damage to the paint and vehicle.
7. Do not leave the Revolving Emergency Light running if you leave the area.

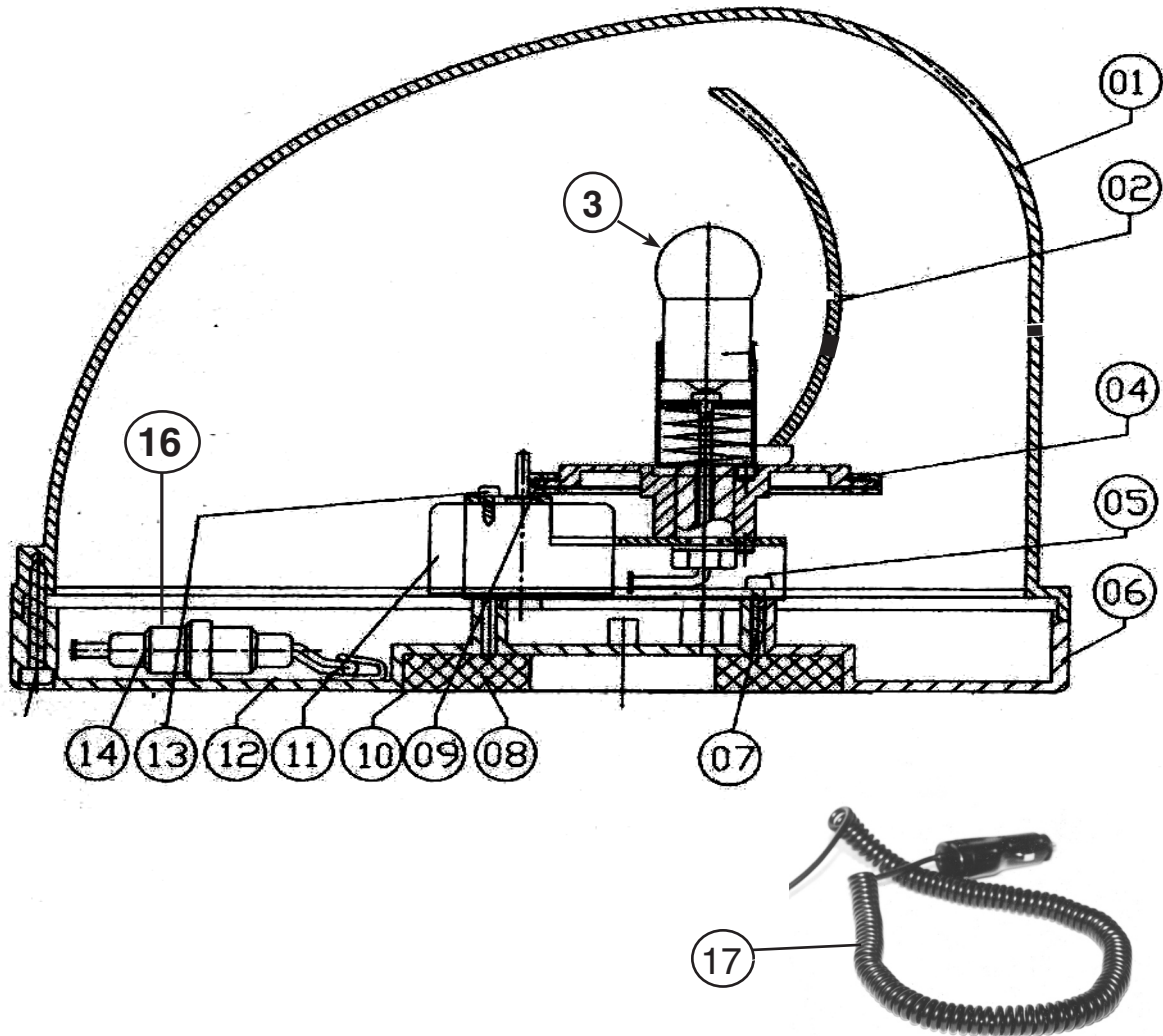
---

## INSPECTION, MAINTENANCE, AND CLEANING

---

1. **⚠WARNING!** Make sure that the Revolving Emergency Light is in the "OFF" position and that it is unplugged from its power source before performing any inspection, maintenance, or cleaning procedures.
2. **BEFORE EACH USE**, inspect the general condition of the Light. Check for loose screws, misalignment or binding of moving parts, cracked or broken parts, damaged electrical wiring, and any other condition that may affect its safe operation. **Do not use damaged equipment.**
3. Store the Revolving Emergency Light in a dry location out of direct sunlight. Keep the Light out of the reach of children.
4. Clean with a soft cloth. Do not use flammable liquids or harsh detergents to clean the Revolving Emergency Light. Do not submerge in fluid to clean.

## PARTS LIST AND ASSEMBLY DIAGRAM



Part	Description	Q'ty
1	Cover	1
2	Reflector	1
3	Bulb	1
4	Big Gear	1
5	Motor Stand	1
6	Base	1
7	Screw (M2.6*8)	4
8	Magnet	1
9	Small Gear	1

Part	Description	Q'ty
10	Label	1
11	Motor	1
12	Cord Fixer	2
13	Motor Screw (M2.3*4)	2
14	Screw (M2.5*20)	1
15	Resistor	1
16	Fuse / Fuse Cover	1
17	Cigarette Lighter Plug	1

---

## LIMITED 90 DAY WARRANTY

---

Harbor Freight Tools Co. makes every effort to assure that its products meet high quality and durability standards, and warrants to the original purchaser that this product is free from defects in materials and workmanship for the period of 90 days from the date of purchase. This warranty does not apply to damage due directly or indirectly, to misuse, abuse, negligence or accidents, repairs or alterations outside our facilities, criminal activity, improper installation, normal wear and tear, or to lack of maintenance. We shall in no event be liable for death, injuries to persons or property, or for incidental, contingent, special or consequential damages arising from the use of our product. Some states do not allow the exclusion or limitation of incidental or consequential damages, so the above limitation of exclusion may not apply to you. THIS WARRANTY IS EXPRESSLY IN LIEU OF ALL OTHER WARRANTIES, EXPRESS OR IMPLIED, INCLUDING THE WARRANTIES OF MERCHANTABILITY AND FITNESS.

To take advantage of this warranty, the product or part must be returned to us with transportation charges prepaid. Proof of purchase date and an explanation of the complaint must accompany the merchandise. If our inspection verifies the defect, we will either repair or replace the product at our election or we may elect to refund the purchase price if we cannot readily and quickly provide you with a replacement. We will return repaired products at our expense, but if we determine there is no defect, or that the defect resulted from causes not within the scope of our warranty, then you must bear the cost of returning the product.

This warranty gives you specific legal rights and you may also have other rights which vary from state to state.

**3491 Mission Oaks Blvd. • PO Box 6009 • Camarillo, CA 93011 • (800) 444-3353**

**Note:** Some parts are listed and shown for illustration purposes only, and are not available individually as replacement parts.

### PLEASE READ THE FOLLOWING CAREFULLY

THE MANUFACTURER AND/OR DISTRIBUTOR HAS PROVIDED THE PARTS LIST AND ASSEMBLY DIAGRAM IN THIS MANUAL AS A REFERENCE TOOL ONLY. NEITHER THE MANUFACTURER OR DISTRIBUTOR MAKES ANY REPRESENTATION OR WARRANTY OF ANY KIND TO THE BUYER THAT HE OR SHE IS QUALIFIED TO MAKE ANY REPAIRS TO THE PRODUCT, OR THAT HE OR SHE IS QUALIFIED TO REPLACE ANY PARTS OF THE PRODUCT. IN FACT, THE MANUFACTURER AND/OR DISTRIBUTOR EXPRESSLY STATES THAT ALL REPAIRS AND PARTS REPLACEMENTS SHOULD BE UNDERTAKEN BY CERTIFIED AND LICENSED TECHNICIANS, AND NOT BY THE BUYER. THE BUYER ASSUMES ALL RISK AND LIABILITY ARISING OUT OF HIS OR HER REPAIRS TO THE ORIGINAL PRODUCT OR REPLACEMENT PARTS THERETO, OR ARISING OUT OF HIS OR HER INSTALLATION OF REPLACEMENT PARTS THERETO.

REV 07K