

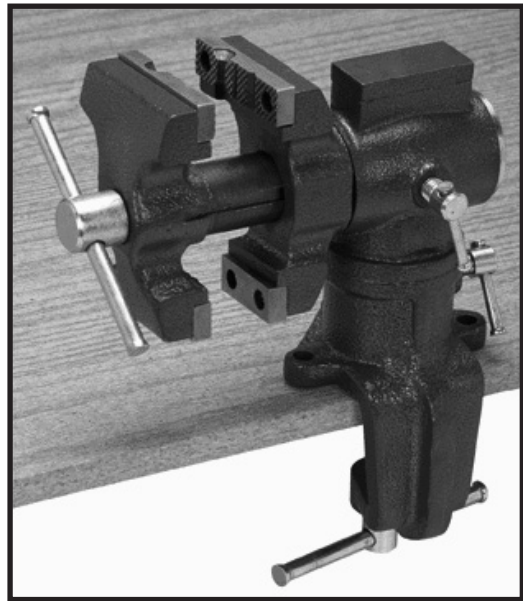


2-1/2" Table Swivel Vise

Item 97160

⚠WARNING

Read this material before using this product.
Failure to do so can result in serious injury.
SAVE THIS MANUAL.



When unpacking, make sure that the product is intact and undamaged.
If any parts are missing or broken, please call 1-800-444-3353 as soon as possible.

Visit our website at: <http://www.harborfreight.com>

Email our technical support at: tech@harborfreight.com

SAVE THIS MANUAL

Keep this manual for the safety warnings and precautions, assembly, operating, inspection, maintenance and cleaning procedures. Write the product's serial number in the back of the manual near the assembly diagram (or month and year of purchase if product has no number). Keep this manual and the receipt in a safe and dry place for future reference.



WARNING! Read all instructions. Failure to follow all instructions listed below may result in serious injury.

SAVE THESE INSTRUCTIONS

WORK AREA SAFETY

1. **Keep children and bystanders away while operating. Distractions can cause you to lose control.**
2. Keep work area clean and well lit. Cluttered or dark areas invite accidents.

PERSONAL SAFETY

1. **Wear ANSI-approved safety goggles, NIOSH-approved dust mask/respirator, and heavy-duty work gloves during installation or during use, when conditions warrant.**
2. Stay alert and use common sense when operating. Do not use when tired or under the influence of drugs, alcohol or medication.
3. Do not overreach. Keep proper footing and balance at all times. This enables better control in unexpected situations.
4. Dress properly. Do not wear loose clothing or jewelry. Keep your hair, clothing and gloves away from moving parts. Loose clothes, jewelry or long hair can be caught in moving parts.

PRODUCT USE AND CARE

1. **This product is not a toy. Keep it out of reach of children.**
2. Use the correct product for your application. The correct product will do the job better and safer at the rate for which it was designed. Do not modify this product or use it for a purpose for which it is not intended.

3. Check for misalignment or binding of moving parts, breakage of parts and any other condition that may affect the product's operation. If damaged, have the product repaired before use.
4. Use the product in accordance with these instructions and in the manner intended for the particular type of product, taking into account the working conditions and the work to be performed. Use of the product for operations different from those intended could result in a hazardous situation.

SERVICE

1. Have product serviced by a qualified repair person using only identical replacement parts. This will ensure that the safety of the product is maintained.
2. Maintain labels and nameplates on the product. These carry important safety information. If unreadable or missing, contact Harbor Freight Tools for a replacement.

MISCELLANEOUS

1. Keeps hands clear while closing.
2. Jaws can damage workpieces. Do not overtighten. Keep the face of the Jaws clean.
3. Vise may chip if struck with another hardened tool, damaging Vise and possibly causing injury. Inspect before use; discard if chipped.
4. The warnings, precautions, and instructions discussed in this instruction manual cannot cover all possible conditions and situations that may occur. It must be understood by the operator that common sense and caution are factors which cannot be built into this product, but must be supplied by the operator.



SAVE THESE INSTRUCTIONS.

SPECIFICATIONS

Clamp Capacity	Tables up to 1-5/8 IN. Thick
Adjusts	360° at Base and Jaw
Maximum Jaw Opening	2 IN.
Maximum Vise Travel	2 IN.
Jaws	2-1/2 IN. L x 5/8 IN. H

SET UP INSTRUCTIONS



Read the **ENTIRE IMPORTANT SAFETY INFORMATION** section at the beginning of this manual including all text under subheadings therein before set up or use of this product.

Note: For additional information regarding the parts listed in the following pages, refer to the Assembly Diagram near the end of this manual.

1. Connect the Clamp to a work surface. The work surface must be able to hold the combined weight of the Vise and intended workpieces.
2. For heavy duty use or long term installation, mount the Vise directly to the work surface. Use the holes in the Vise as a template to mark the work surface. Verify that installation surface has no hidden utility lines before drilling or driving screws. Drill holes and attach the Vise firmly to the work surface with appropriate hardware.

OPERATING INSTRUCTIONS



Read the **ENTIRE IMPORTANT SAFETY INFORMATION** section at the beginning of this manual including all text under subheadings therein before set up or use of this product.

1. Choose the Jaws that are most appropriate for the job.
2. Loosen the T-handles and turn the Vise in the best position for the job. Tighten the T-handles.
3. Turn the Handle to open the Jaws of the Vise. Place the workpiece between the Jaws and close the Vise. The Jaws can damage soft workpieces, do not overtighten.
4. Clean, then store the product indoors out of children's reach.

MAINTENANCE AND SERVICING

⚠ CAUTION

Damaged products can fail, causing personal injury. Do not use a damaged product. If abnormal noise or vibration occurs, have the problem corrected before further use.

1. **BEFORE EACH USE**, inspect the general condition of the product. Check for loose screws, misalignment or binding of moving parts, cracked or broken parts and any other condition that may affect its safe operation.
2. **AFTER USE**, clean external surfaces of the product with clean cloth.
3. Keep the Vise well lubricated. Clean Jaws to prevent soiling workpieces.

Replacing the Jaws

To replace or attach different jaws. Use a screwdriver to remove the screws in the face of the jaw. Attach the new jaws with the same screws.

PLEASE READ THE FOLLOWING CAREFULLY

THE MANUFACTURER AND/OR DISTRIBUTOR HAS PROVIDED THE PARTS LIST AND ASSEMBLY DIAGRAM IN THIS MANUAL AS A REFERENCE TOOL ONLY. NEITHER THE MANUFACTURER OR DISTRIBUTOR MAKES ANY REPRESENTATION OR WARRANTY OF ANY KIND TO THE BUYER THAT HE OR SHE IS QUALIFIED TO MAKE ANY REPAIRS TO THE PRODUCT, OR THAT HE OR SHE IS QUALIFIED TO REPLACE ANY PARTS OF THE PRODUCT. IN FACT, THE MANUFACTURER AND/OR DISTRIBUTOR EXPRESSLY STATES THAT ALL REPAIRS AND PARTS REPLACEMENTS SHOULD BE UNDERTAKEN BY CERTIFIED AND LICENSED TECHNICIANS, AND NOT BY THE BUYER. THE BUYER ASSUMES ALL RISK AND LIABILITY ARISING OUT OF HIS OR HER REPAIRS TO THE ORIGINAL PRODUCT OR REPLACEMENT PARTS THERETO, OR ARISING OUT OF HIS OR HER INSTALLATION OF REPLACEMENT PARTS THERETO.

Record Product's Serial Number Here:

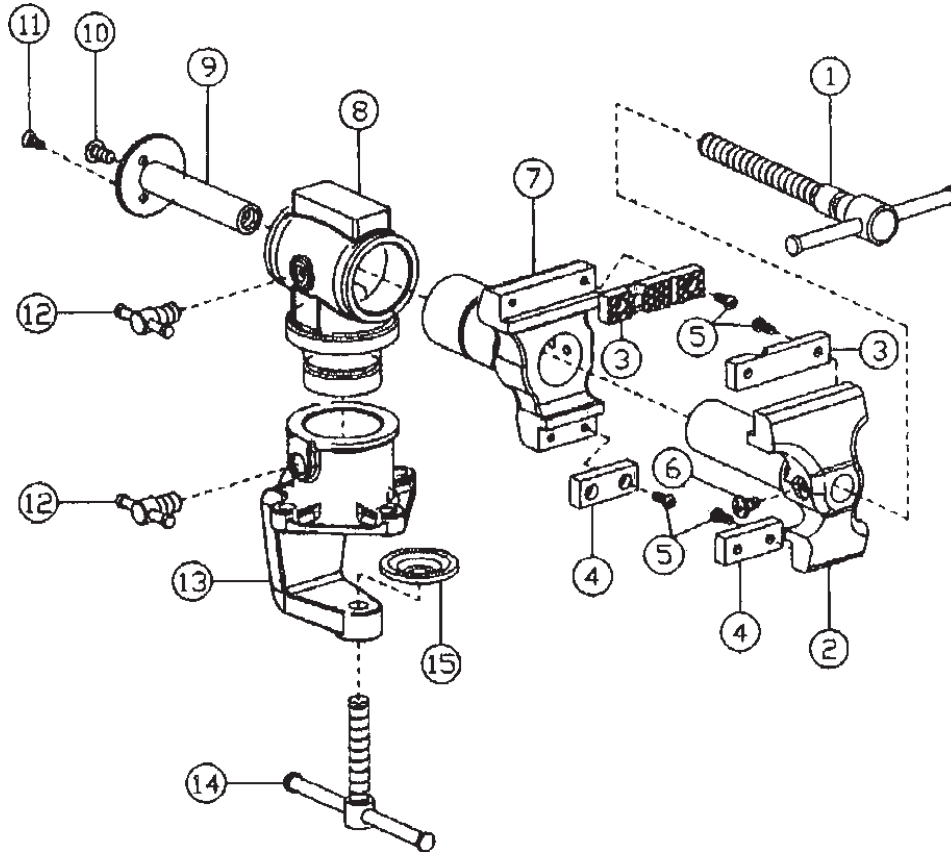
Note: If product has no serial number, record month and year of purchase instead.

Note: Some parts are listed and shown for illustration purposes only, and are not available individually as replacement parts.

PARTS LIST & ASSEMBLY DIAGRAM

Part	Description	Qty
1	Lead Screw	1
2	Moving Head	1
3	Diamond Jaw Plate	1
4	Smooth Jaw Plate	1
5	Jaw Screw	4
6	Bolt	1
7	Swivel Head	1
8	Body	1

Part	Description	Qty
9	Nut	1
10	Lead Screw Bolt	1
11	Nut Bolt	1
12	Set Screw	2
13	Stationary Base	1
14	T Handle	1
15	Clamp Jaw	



Limited 90 Day Warranty

Harbor Freight Tools Co. makes every effort to assure that its products meet high quality and durability standards, and warrants to the original purchaser that this product is free from defects in materials and workmanship for the period of 90 days from the date of purchase. This warranty does not apply to damage due directly or indirectly, to misuse, abuse, negligence or accidents, repairs or alterations outside our facilities, criminal activity, improper installation, normal wear and tear, or to lack of maintenance. We shall in no event be liable for death, injuries to persons or property, or for incidental, contingent, special or consequential damages arising from the use of our product. Some states do not allow the exclusion or limitation of incidental or consequential damages, so the above limitation of exclusion may not apply to you. THIS WARRANTY IS EXPRESSLY IN LIEU OF ALL OTHER WARRANTIES, EXPRESS OR IMPLIED, INCLUDING THE WARRANTIES OF MERCHANTABILITY AND FITNESS.

To take advantage of this warranty, the product or part must be returned to us with transportation charges prepaid. Proof of purchase date and an explanation of the complaint must accompany the merchandise. If our inspection verifies the defect, we will either repair or replace the product at our election or we may elect to refund the purchase price if we cannot readily and quickly provide you with a replacement. We will return repaired products at our expense, but if we determine there is no defect, or that the defect resulted from causes not within the scope of our warranty, then you must bear the cost of returning the product.

This warranty gives you specific legal rights and you may also have other rights which vary from state to state.

3491 Mission Oaks Blvd. • PO Box 6009 • Camarillo, CA 93011 • (800) 444-3353