

Owner's Manual & Safety Instructions

Save This Manual Keep this manual for the safety warnings and precautions, assembly, operating, inspection, maintenance and cleaning procedures. Write the product's serial number in the back of the manual near the assembly diagram (or month and year of purchase if product has no number). Keep this manual and the receipt in a safe and dry place for future reference.

REV 16i

1 Ton Push Trolley

97392



Visit our website at: <http://www.harborfreight.com>
Email our technical support at: productsupport@harborfreight.com

When unpacking, make sure that the product is intact and undamaged. If any parts are missing or broken, please call 1-888-866-5797 as soon as possible.

Copyright© 2007 by Harbor Freight Tools®. All rights reserved.
No portion of this manual or any artwork contained herein may be reproduced in any shape or form without the express written consent of Harbor Freight Tools. Diagrams within this manual may not be drawn proportionally. Due to continuing improvements, actual product may differ slightly from the product described herein. Tools required for assembly and service may not be included.

⚠WARNING

**Read this material before using this product.
Failure to do so can result in serious injury.
SAVE THIS MANUAL.**

SAVE THIS MANUAL

Keep this manual for the safety warnings and precautions, assembly, operating, inspection, maintenance and cleaning procedures. Write the product's serial number in the back of the manual near the assembly diagram (or month and year of purchase if product has no number). Keep this manual and the receipt in a safe and dry place for future reference.

IMPORTANT SAFETY INFORMATION

In this manual, on the labeling, and all other information provided with this product:



This is the safety alert symbol. It is used to alert you to potential personal injury hazards. Obey all safety messages that follow this symbol to avoid possible injury or death.

DANGER

DANGER indicates a hazardous situation which, if not avoided, will result in death or serious injury.

WARNING

WARNING indicates a hazardous situation which, if not avoided, could result in death or serious injury.

CAUTION

CAUTION, used with the safety alert symbol, indicates a hazardous situation which, if not avoided, could result in minor or moderate injury.

NOTICE

NOTICE is used to address practices not related to personal injury.

CAUTION

CAUTION, without the safety alert symbol, is used to address practices not related to personal injury.



WARNING! Read all instructions
Failure to follow all instructions listed below may result in serious injury.

SAVE THESE INSTRUCTIONS

WORK AREA SAFETY

1. Keep children and bystanders away while operating. Distractions can cause you to lose control.
2. Keep work area clean and well lit. Cluttered or dark areas invite accidents.

PERSONAL SAFETY

1. **Wear ANSI-approved safety goggles and heavy-duty work gloves during set-up and use. Wear a hard hat or other protective gear if necessary.**
2. Stay alert and use common sense when operating. Do not use when tired or under the influence of drugs, alcohol or medication.
3. Do not overreach. Keep proper footing and balance at all times. This enables better control in unexpected situations.
4. Dress properly. Do not wear loose clothing or jewelry. Keep your hair, clothing and gloves away from moving parts. Loose clothes, jewelry or long hair can be caught in moving parts.

PRODUCT USE AND CARE

1. **This Push Trolley is not a toy. Keep it out of reach of children.**
2. Use the correct product for your application. The Push Trolley will do the job better and safer at the rate for which it was designed. Do not modify or use it for a purpose for which it is not intended.
3. Check for misalignment or binding of moving parts, breakage of parts and any other condition that may affect the product's operation. If damaged, have the Push Trolley repaired before use.
4. Use the Push Trolley and accessories etc., in accordance with these instructions and in the manner intended for the particular type of product, taking into account the working conditions and the work to be performed. Use of the Push Trolley for operations different from those intended could result in a hazardous situation.

SERVICE

1. Have product serviced by a qualified repair person using only identical replacement parts. This will ensure that the safety of the product is maintained.
2. Maintain labels and nameplates on the product. These carry important safety information. If unreadable or missing, contact Harbor Freight Tools for a replacement.

SPECIFIC SAFETY WARNINGS AND PRECAUTIONS

1. **Do not exceed the load capacity of 1 Ton (2,000 lb.)**
Be aware of dynamic loading! Suddenly starting or jerking against load may briefly create excess load condition, causing product failure.
2. Always use proper couplings when connecting the Push Trolley to the load.

3. Never lift people or hoist loads over people.
4. After lifting an with the Push Trolley, secure the item. Do not rely on the Push Trolley to hold it for an extended period.
5. Examine the Push Trolley before using. Components may be affected by exposure to chemicals, salts, and rust.
6. The Push Trolley is designed to move a load along an "I-Beam". Never leave a load hanging from the Push Trolley for an extended period of time
7. **Install this trolley only on a properly mounted metal I-beam between 2-11/16" and 5-1/8" Wide.** If installing on a curved I-Beam, take extra care that the curve in the beam is not less than 3.28 ft. (1 meter) in radius. Only use on an I-beam that can support the force and weight of this Push Trolley and the 1 ton/2,000 lb. workpiece. **Failure to use the proper type of Beam may cause the trolley to fall, causing serious injury or death.**
8. Do not use for aircraft purposes.

MISCELLANEOUS

1. The warnings, precautions, and instructions discussed in this instruction manual cannot cover all possible conditions and situations that may occur. It must be understood by the operator that common sense and caution are factors which cannot be built into this product, but must be supplied by the operator.



SAVE THESE INSTRUCTIONS.

SPECIFICATIONS

Capacity	1 Ton (2,000 lb.)
Materials	Formed Steel Trolley Cast Steel Wheels Steel Bolt, Washers and Nuts
I-Beam Size Required	2-11/16" to 5-1/8" Wide Flange
Minimum Curve Radius	3.28'

UNPACKING

When unpacking, check to make sure that the is intact and undamaged. If any parts are missing or broken, please call Harbor Freight Tools at the number shown on the cover of this manual as soon as possible.

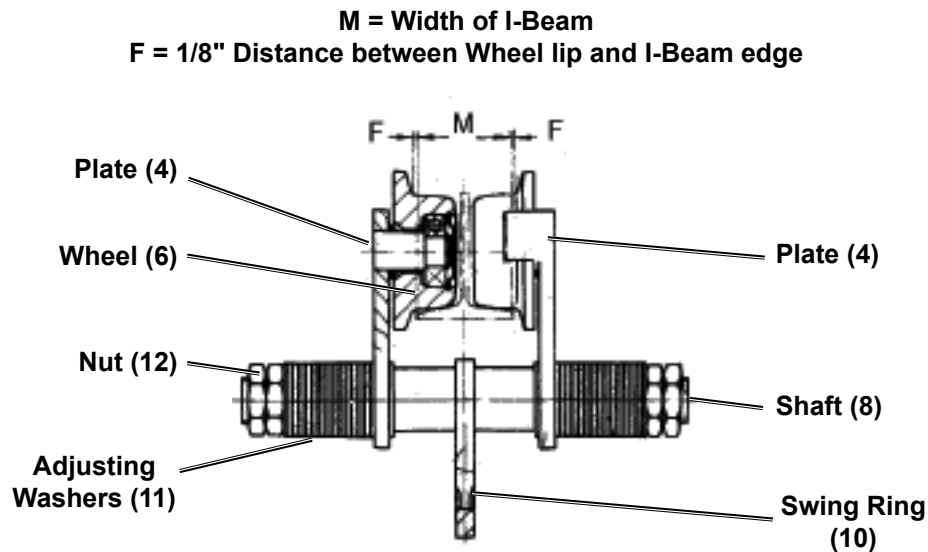
INSTALLATION INSTRUCTIONS



Read the **ENTIRE IMPORTANT SAFETY INFORMATION** section at the beginning of this manual including all text under subheadings therein before set up or use of this product.

Note: For additional information regarding the parts listed in the following pages, refer to the Parts List and Assembly Diagram on page 8.

WARNING! Do not install Push Trolley while on ladder. Use a stable platform.

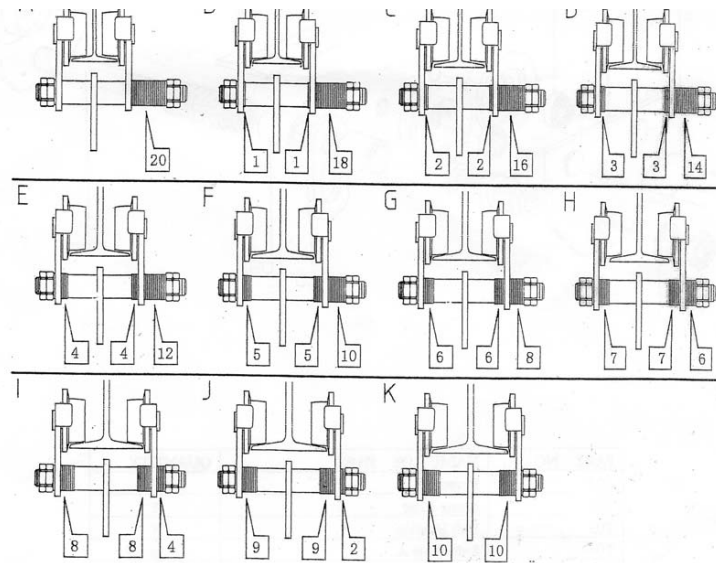


1. Remove the Nut (12) from one side of the Shaft (8). Then remove all the Adjusting Washers (11).
2. Slide the right-side Plate (4) over the Shaft and place the wheels of the Plate on the lower flange of the I-beam (not included). (See chart on next page.)
3. Put the Adjusting Washers (11) and each Bushing (9) on the outsides of the Swing Ring (10) to fit according to the I-beam width used. (See chart on next page.)

Note: Allow an additional 1/8" space for each side of the I-beam.

To determine the proper amount of Washers used, measure the width of the I-beam onto which the Push Trolley will be mounted and follow the chart below:

Figure	A	B	C	D	E	F	G	H	I	J	K
I-beam Widths in inches	2.6"	2.9"	3.1"	3.4"	3.7"	3.9"	4.1"	4.4"	4.6"	4.8"	5.1"
Widths in mm	68	74	80	88	94	100	106	112	118	124	130



1. Slide the left side Plate (4) over the Shaft (8) so that the Wheel (6) rests on the I-beam. Place the proper amount of Washers (11) (according to I-beam size), and one of the Nuts (12) onto the Shaft and tighten.
2. Place second Nut (12) on the Shaft (8) and tighten. This will keep Pulley locked together during use. Push Trolley and see if it moves easily before use.

Note: The Nuts (12) cannot be fully tightened properly by hand. Use a wrench (not included) to ensure that all connections are tight.

OPERATING INSTRUCTIONS



Read the **ENTIRE IMPORTANT SAFETY INFORMATION** section at the beginning of this manual including all text under subheadings therein before set up or use of this product.

Do not exceed the load capacity of 1 ton (2,000 lb.) for this Trolley.

1. Place the load directly under the Push Trolley.
2. Attach lifting device such as chain block or ratcheting power pulley (not included). Hoist up to the desired height.

CAUTION! If the load does not move when pushed hard, stop operation. Check for any obstacles on the I-beam that may be obstructing movement.

MAINTENANCE AND SERVICING

⚠ CAUTION

Damaged products can fail, causing personal injury. Do not use a damaged product. If abnormal noise or vibration occurs, have the problem corrected before further use.

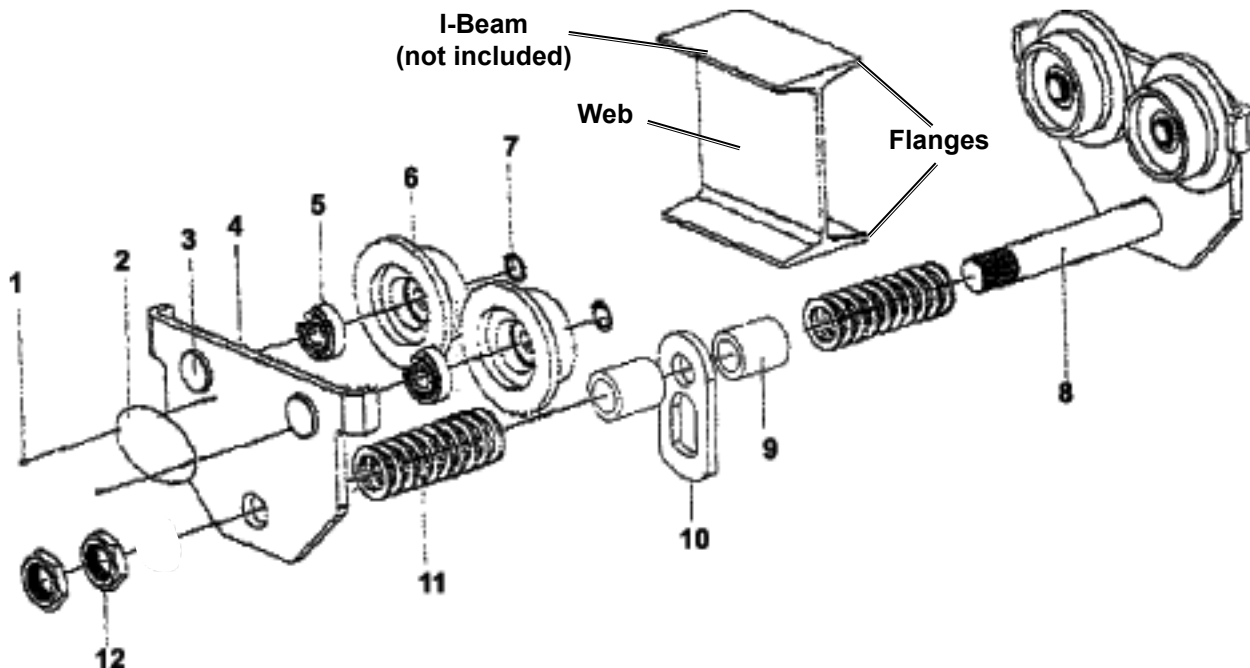
Cleaning, maintenance, and lubrication

1. **BEFORE EACH USE**, inspect the general condition of the product. Check for loose screws, misalignment or binding of moving parts, cracked or broken parts, and any other condition that may affect its safe operation.
2. **PERIODICALLY**, grease the Bearings (5) and I-beam surface.
3. **AFTER USE**, clean external surfaces of the product with clean, moist cloth.

PARTS LIST AND ASSEMBLY DIAGRAM

Part	Description	Qty
1	Rivet	2
2	Label Plate	1
3	Wheel Axis	4
4	Plate	2
5	Bearing	4
6	Wheel	4

Part	Description	Qty
7	Retaining Ring	4
8	Shaft	1
9	Bushing	2
10	Swing Ring	1
11	Adjusting Washer	20
12	Nut	4



Record Product's Serial Number Here: _____

Note: If product has no serial number, record month and year of purchase instead.

Note: Some parts are listed and shown for illustration purposes only, and are not available individually as replacement parts.

PLEASE READ THE FOLLOWING CAREFULLY

THE MANUFACTURER AND/OR DISTRIBUTOR HAS PROVIDED THE PARTS LIST AND ASSEMBLY DIAGRAM IN THIS MANUAL AS A REFERENCE TOOL ONLY. NEITHER THE MANUFACTURER OR DISTRIBUTOR MAKES ANY REPRESENTATION OR WARRANTY OF ANY KIND TO THE BUYER THAT HE OR SHE IS QUALIFIED TO MAKE ANY REPAIRS TO THE PRODUCT, OR THAT HE OR SHE IS QUALIFIED TO REPLACE ANY PARTS OF THE PRODUCT. IN FACT, THE MANUFACTURER AND/OR DISTRIBUTOR EXPRESSLY STATES THAT ALL REPAIRS AND PARTS REPLACEMENTS SHOULD BE UNDERTAKEN BY CERTIFIED AND LICENSED TECHNICIANS, AND NOT BY THE BUYER. THE BUYER ASSUMES ALL RISK AND LIABILITY ARISING OUT OF HIS OR HER REPAIRS TO THE ORIGINAL PRODUCT OR REPLACEMENT PARTS THERETO, OR ARISING OUT OF HIS OR HER INSTALLATION OF REPLACEMENT PARTS THERETO.

LIMITED 90 DAY WARRANTY

Harbor Freight Tools Co. makes every effort to assure that its products meet high quality and durability standards, and warrants to the original purchaser that this product is free from defects in materials and workmanship for the period of 90 days from the date of purchase. This warranty does not apply to damage due directly or indirectly, to misuse, abuse, negligence or accidents, repairs or alterations outside our facilities, criminal activity, improper installation, normal wear and tear, or to lack of maintenance. We shall in no event be liable for death, injuries to persons or property, or for incidental, contingent, special or consequential damages arising from the use of our product. Some states do not allow the exclusion or limitation of incidental or consequential damages, so the above limitation of exclusion may not apply to you. THIS WARRANTY IS EXPRESSLY IN LIEU OF ALL OTHER WARRANTIES, EXPRESS OR IMPLIED, INCLUDING THE WARRANTIES OF MERCHANTABILITY AND FITNESS.

To take advantage of this warranty, the product or part must be returned to us with transportation charges prepaid. Proof of purchase date and an explanation of the complaint must accompany the merchandise. If our inspection verifies the defect, we will either repair or replace the product at our election or we may elect to refund the purchase price if we cannot readily and quickly provide you with a replacement. We will return repaired products at our expense, but if we determine there is no defect, or that the defect resulted from causes not within the scope of our warranty, then you must bear the cost of returning the product.

This warranty gives you specific legal rights and you may also have other rights which vary from state to state.