

CHICAGO

Electric® Power Tools

TILE SAW STAND

Model 98328

SET UP AND OPERATING INSTRUCTIONS



Tile Cutting Saw shown in above photo is for display purpose only and is not included with this Tile Saw Stand.

Diagrams within this manual may not be drawn proportionally.

Due to continuing improvements, actual product may differ slightly from the product described herein.

Distributed exclusively by Harbor Freight Tools®.

3491 Mission Oaks Blvd., Camarillo, CA 93011

Visit our website at: <http://www.harborfreight.com>



**Read this material before using this product.
Failure to do so can result in serious injury.
SAVE THIS MANUAL.**

Copyright© 2008 by Harbor Freight Tools®. All rights reserved. No portion of this manual or any artwork contained herein may be reproduced in any shape or form without the express written consent of Harbor Freight Tools.

For technical questions or replacement parts, please call 1-800-444-3353.

SAVE THIS MANUAL

Keep this manual for the safety warnings and precautions, assembly, operating, inspection, maintenance and cleaning procedures. Write the product's serial number in the back of the manual near the assembly diagram (or month and year of purchase if product has no number). Keep this manual and the receipt in a safe and dry place for future reference.

IMPORTANT SAFETY INFORMATION

In this manual, on the labeling, and all other information provided with this product:



This is the safety alert symbol. It is used to alert you to potential personal injury hazards. Obey all safety messages that follow this symbol to avoid possible injury or death.

DANGER

DANGER indicates a hazardous situation which, if not avoided, will result in death or serious injury.

WARNING

WARNING indicates a hazardous situation which, if not avoided, could result in death or serious injury.

CAUTION

CAUTION, used with the safety alert symbol, indicates a hazardous situation which, if not avoided, could result in minor or moderate injury.

NOTICE

NOTICE is used to address practices not related to personal injury.

CAUTION

CAUTION, without the safety alert symbol, is used to address practices not related to personal injury.

GENERAL AND SPECIFIC SAFETY WARNINGS



WARNING Read all safety warnings and instructions. *Failure to follow the warnings and instructions may result in serious injury. Save all warnings and instructions for future reference.*
Work area safety

1. Keep work area clean and well lit. Cluttered or dark areas invite accidents.
2. Wear ANSI-approved safety goggles during assembly, setup and use of this Tile Saw Stand.
3. Be careful not to pinch fingers and/or hands in scissor action of Tile Saw Stand legs when folding and/or unfolding to use, or store after use.
4. Keep children and bystanders away while operating. Distractions can cause you to lose control.
5. Stay alert, watch what you are doing and use common sense when operating. **Do not use while you are tired**

or under the influence of drugs, alcohol or medication. A moment of inattention may result in serious personal injury.

6. Store out of the reach of children and do not allow persons unfamiliar to operate. Tools are dangerous in the hands of untrained users.
7. Use the Tile Saw Stand in accordance with these instructions, taking into account the working conditions and the work to be performed. Use of the Tile Saw Stand for operations different from those intended could result in a hazardous situation.
8. Read and follow all manufacturer's safety warnings, set-up instructions, and operating procedures for the tile saw you are using with this Tile Saw Table.

SAVE THESE INSTRUCTIONS.

SPECIFICATIONS

Construction	Stand and Brackets: Formed Sheeted Steel. Wheels: Polyethylene. Locking Knobs: Polystyrene. Mounting Hardware: Carbon Steel. Washers: Thermoplastic
--------------	---

NOTE: This Stand is ONLY to be used with Bridge Tile Saw, SKU 98265. available at Harbor Freight Tools.

UNPACKING

When unpacking, check to make sure that the item is intact and undamaged. If any parts are missing or broken, please

call Harbor Freight Tools at the number shown on the cover of this manual as soon as possible.

Note: For additional information regarding the parts listed in the following pages, refer to the Assembly Diagram near the end of this manual.

ASSEMBLY

1. Insert Upper Support A (1) and B (5) into Lower Support A (3) and B (12) and secure with a Lock Knob (2) on each side.
2. Attach both supports together using Combination Plates A (8) and B (11). Insert one Shaft (6) through a Washer (19) and into the Upper Support (A). Insert one Spacer (7) and push the Shaft through Combination Plate A (8). Insert the second Spacer (7) and push the Shaft through Upper Support B (5). Attach a Washer (9) and Lock-Nut (10). Finger-tighten the Lock-Nut only.
3. Repeat the above mentioned procedure for the opposite side. Tighten the Lock-Nuts (10) until the Combination Plates (A and B) can be rocked slightly.
4. Mount one Wheel (18) on end of Axle (20) and attach one Wheel Support (A and B) (17 and 21), to Axle (20) outside of Wheels (18). Attach Wheel Supports (A and B) (17 and 21) to each side of Lower Supports (A and B). Use included Hardware:
 - a. Screw (13),
 - b. Flat Washer (14),
 - c. Lock-Nut (15), and

d. Retainer (16), to secure Wheels (18).

1. Attach four Rubber Feet (4) to ends of each Lower Support Foot.
2. Attach one Mounting Knob (22) to threaded holes in each Lower support Foot.
3. Use remaining Lock Knobs (2) to secure base of tile saw to this Tile Saw Stand.
4. See **Assembly Diagram** on **page 6** of this manual.

OPERATING INSTRUCTIONS



Read the ENTIRE IMPORTANT SAFETY INFORMATION section at the beginning of this manual including all text under subheadings therein before set up or use of this product.

1. Set up Tile Saw Stand on flat, level surface able to support the weight of the Tile Saw Stand and the tile saw attached to it.
2. Attach your tile saw and secure base to Tile Saw Stand with Lock Knobs (2).
3. To move Tile Saw Stand (with or without tile saw attached), tilt the Stand forward on it's wheels and push to new position.
4. When finished, remove the tile saw, fold the Tile Saw Stand and store inside.

MAINTENANCE AND SERVICING

1. **BEFORE EACH USE**, inspect the general condition of the tool. Check for loose screws and/or any other condition that may affect its safe operation.
2. **AFTER USE**, wipe external surfaces of the tool with clean cloth.
3. Store the Tile Saw Stand in dry area inside and away from children.

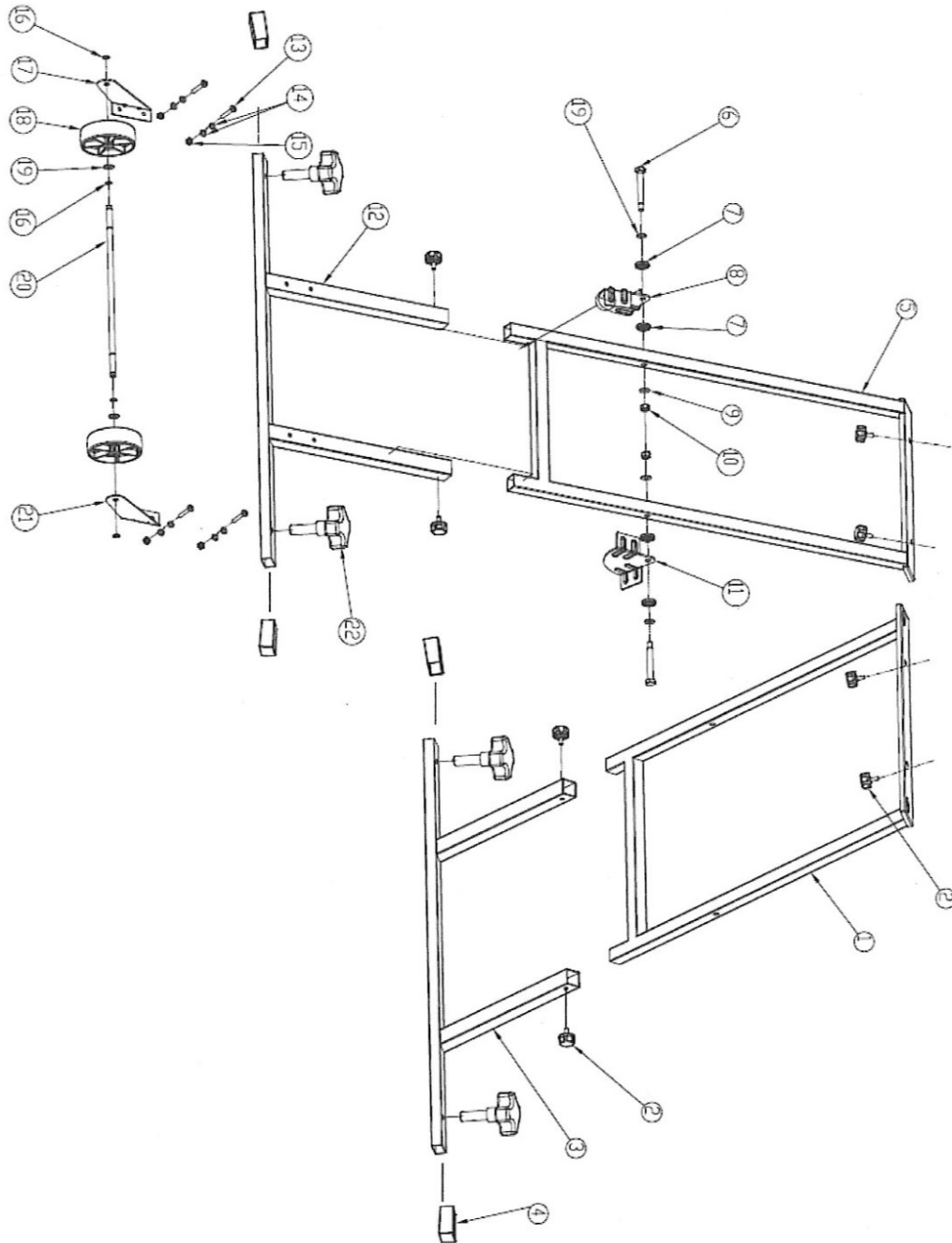
PLEASE READ THE FOLLOWING CAREFULLY

THE MANUFACTURER AND/OR DISTRIBUTOR HAS PROVIDED THE PARTS LIST AND ASSEMBLY DIAGRAM IN THIS MANUAL AS A REFERENCE TOOL ONLY. NEITHER THE MANUFACTURER OR DISTRIBUTOR MAKES ANY REPRESENTATION OR WARRANTY OF ANY KIND TO THE BUYER THAT HE OR SHE IS QUALIFIED TO MAKE ANY REPAIRS TO THE PRODUCT, OR THAT HE OR SHE IS QUALIFIED TO REPLACE ANY PARTS OF THE PRODUCT. IN FACT, THE MANUFACTURER AND/OR DISTRIBUTOR EXPRESSLY STATES THAT ALL REPAIRS AND PARTS REPLACEMENTS SHOULD BE UNDERTAKEN BY CERTIFIED AND LICENSED TECHNICIANS, AND NOT BY THE BUYER. THE BUYER ASSUMES ALL RISK AND LIABILITY ARISING OUT OF HIS OR HER REPAIRS TO THE ORIGINAL PRODUCT OR REPLACEMENT PARTS THERETO, OR ARISING OUT OF HIS OR HER INSTALLATION OF REPLACEMENT PARTS THERETO.

PARTS LIST

Part #	Description	Q'ty
1	Upper Support (A)	1
2	Lock Knob	8
3	Lower Support (A)	1
4	Feet	4
5	Upper Support (B)	1
6	Shaft	2
7	Spacer 10	4
8	Combination Plate (A)	1
9	Flat Washer 8	2
10	Lock-Nut	2
11	Combination Plate (B)	1
12	Lower Support (B)	1
13	Screw M6 X 40	4
14	Flat Washer 6	8
15	Lock-Nut M6	4
16	Retainer 10	4
17	Wheel Support (A)	1
18	Wheel	2
19	Flat Washer 10	2
20	Axle	1
21	Wheel Support (B)	1
22	Mounting Knob	4

ASSEMBLY DIAGRAM



LIMITED 90 DAY WARRANTY

Harbor Freight Tools Co. makes every effort to assure that its products meet high quality and durability standards, and warrants to the original purchaser that this product is free from defects in materials and workmanship for the period of 90 days from the date of purchase. This warranty does not apply to damage due directly or indirectly, to misuse, abuse, negligence or accidents, repairs or alterations outside our facilities, criminal activity, improper installation, normal wear and tear, or to lack of maintenance. We shall in no event be liable for death, injuries to persons or property, or for incidental, contingent, special or consequential damages arising from the use of our product. Some states do not allow the exclusion or limitation of incidental or consequential damages, so the above limitation of exclusion may not apply to you. THIS WARRANTY IS EXPRESSLY IN LIEU OF ALL OTHER WARRANTIES, EXPRESS OR IMPLIED, INCLUDING THE WARRANTIES OF MERCHANTABILITY AND FITNESS.

To take advantage of this warranty, the product or part must be returned to us with transportation charges prepaid. Proof of purchase date and an explanation of the complaint must accompany the merchandise. If our inspection verifies the defect, we will either repair or replace the product at our election or we may elect to refund the purchase price if we cannot readily and quickly provide you with a replacement. We will return repaired products at our expense, but if we determine there is no defect, or that the defect resulted from causes not within the scope of our warranty, then you must bear the cost of returning the product.

This warranty gives you specific legal rights and you may also have other rights which vary from state to state.

3491 Mission Oaks Blvd. • PO Box 6009 • Camarillo, CA 93011 • (800) 444-3353

Record Product's Serial Number Here: _____

Note: If product has no serial number, record month and year of purchase instead.

Note: Some parts are listed and shown for illustration purposes only, and are not available individually as replacement parts.