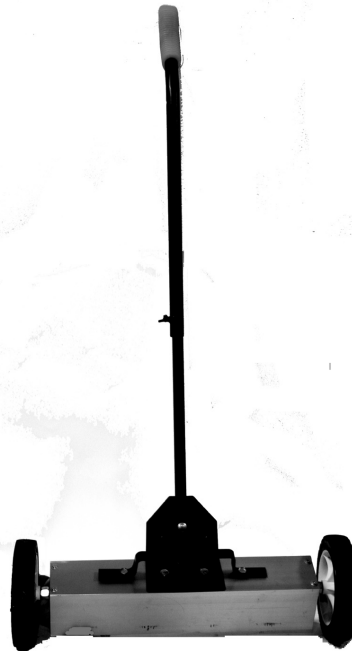


CENTRAL MACHINERY®

22" MAGNETIC FLOOR SWEEPER WITH RELEASE

Model 98399



INSTRUCTIONS AND PRECAUTIONS

Visit our website at: <http://www.harborfreight.com>



**SAVE THESE INSTRUCTIONS. READ ALL
PRECAUTIONS AND INSTRUCTIONS.**

Copyright© 2008 by Harbor Freight Tools®. All rights reserved. No portion of this document or any artwork contained herein may be reproduced in any shape or form without the express written consent of Harbor Freight Tools. Diagrams within this document may not be drawn proportionally. Due to continuing improvements, actual product may differ slightly from the product described herein. Tools required for assembly and service may not be included.

For technical questions or replacement parts, please call 1-800-444-3353.

SPECIFICATIONS

Ground clearance	2-1/8" H, 1" Low
Magnetic Pulling Force	9 Lbs.
Handle Length	Adjusts from 37" to 51"

Revised Manual 10h

UNPACKING

When unpacking, check to make sure that the item is intact and undamaged. If any parts are missing or broken, please call Harbor Freight Tools at the number shown on the cover of this document as soon as possible.

IMPORTANT SAFETY INFORMATION

Assembly Precautions

1. Assemble only according to these instructions. Improper assembly can create hazards.
2. Wear ANSI-approved safety goggles and heavy-duty work gloves during assembly.
3. Keep assembly area clean and well lit.
4. Keep bystanders out of the area during assembly.
5. Do not assemble when tired or when under the influence of drugs or medication.

Use Precautions

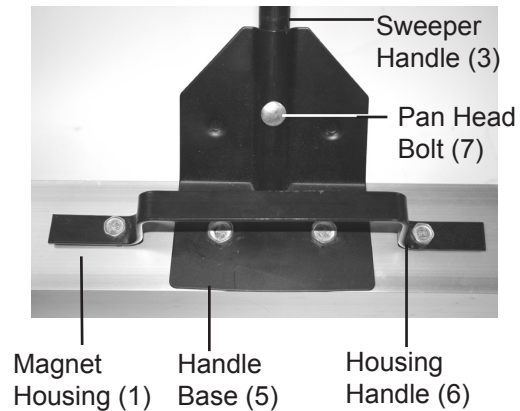
1. This product is not a toy. Do not allow children to play with or near this item.
2. Keep work area clean and well lit. Cluttered or dark areas invite accidents.
3. People with pacemakers should consult their physician(s) before use. Electromagnetic fields in close proximity to heart pacemaker could cause pacemaker interference or pacemaker failure.
4. The Sweeper contains a 9 Lb. magnetic pull capacity and should not be used around materials and components that can be damaged when exposed to a magnet.
5. Use for intended purpose only.
6. Dress properly. Do not wear loose clothing or jewelry. Keep your hair, clothing and gloves away from moving parts. Loose clothes, jewelry or long hair can be caught in moving parts.
7. Inspect before use; do not use if parts loose or damaged.
8. Maintain product labels and nameplates. These carry important safety information. If unreadable or missing, contact Harbor Freight Tools for a replacement.



Read the **ENTIRE IMPORTANT SAFETY INFORMATION** section at the beginning of this document including all text under subheadings therein before set up or use of this product.

Assembly

Figure 1



1. Insert Sweeper Handle (3) into Handle Base (5) and secure with Pan Head Bolt (7). See **Figure 1**, above.

OPERATION

Figure 2



1. Adjust the Sweeper Handle (3) to the desired height by unscrewing Wing Nut and sliding handle tube up or down-see **Figure 2**, above. The Handle telescopes from 37" to 51" when extended.
2. When the desired height is reached, tighten the Wing Nut into place.
3. While holding the handle, roll the Magnetic Sweeper across the desired floor area such as a workshop, garage, warehouse, etc. The Magnetic Sweeper will pick up metal objects such as nails, pins, bolts, screws and metal shavings.

Figure 3



4. To release the material that has been picked up by the Magnetic Sweeper, place Housing (1) over a trash can or desired debris destination. Pull up on the Housing Handle as shown in **Figure 3**, above.

Please note: Move the Sweeper away from the debris before releasing the Housing Handle or it will pick up the debris again.

PARTS LIST & ASSEMBLY DIAGRAM

Part	Description	Qty.
1	Housing	1
2	Wheel	2
3	Handle	1
4	Bolt/Washer	2 sets
5	Handle Base	1
6	Housing Handle	1
7	Pan Head Bolt	1

CLEANING AND MAINTENANCE

1. **BEFORE EACH USE**, inspect the general condition of the Floor Sweeper. Check for loose screws, misalignment or binding of moving parts, cracked or broken parts and any other condition that may affect its safe operation.
2. **AFTER USE**, clean external surfaces of the Sweeper with clean cloth.

Record Serial Number Here: _____

Note: If product has no serial number, record month and year of purchase instead.

Note: Some parts are listed and shown for illustration purposes only, and are not available individually as replacement parts.

PLEASE READ THE FOLLOWING CAREFULLY

THE MANUFACTURER AND/OR DISTRIBUTOR HAS PROVIDED THE PARTS LIST AND ASSEMBLY DIAGRAM IN THIS DOCUMENT AS A REFERENCE TOOL ONLY. NEITHER THE MANUFACTURER OR DISTRIBUTOR MAKES ANY REPRESENTATION OR WARRANTY OF ANY KIND TO THE BUYER THAT HE OR SHE IS QUALIFIED TO MAKE ANY REPAIRS TO THE PRODUCT, OR THAT HE OR SHE IS QUALIFIED TO REPLACE ANY PARTS OF THE PRODUCT. IN FACT, THE MANUFACTURER AND/OR DISTRIBUTOR EXPRESSLY STATES THAT ALL REPAIRS AND PARTS REPLACEMENTS SHOULD BE UNDERTAKEN BY CERTIFIED AND LICENSED TECHNICIANS, AND NOT BY THE BUYER. THE BUYER ASSUMES ALL RISK AND LIABILITY ARISING OUT OF HIS OR HER REPAIRS TO THE ORIGINAL PRODUCT OR REPLACEMENT PARTS THERETO, OR ARISING OUT OF HIS OR HER INSTALLATION OF REPLACEMENT PARTS THERETO.

