

PROFESSIONAL
CHICAGO ELECTRIC®
POWER TOOLS

MULTI-PURPOSE ELECTRIC SHARPENER

Model 99823

SET UP AND OPERATING INSTRUCTIONS



Visit our website at: <http://www.harborfreight.com>



**Read this material before using this product.
Failure to do so can result in serious injury.
SAVE THIS MANUAL.**

Copyright© 2008 by Harbor Freight Tools®. All rights reserved. No portion of this manual or any artwork contained herein may be reproduced in any shape or form without the express written consent of Harbor Freight Tools. Diagrams within this manual may not be drawn proportionally. Due to continuing improvements, actual product may differ slightly from the product described herein. Tools required for assembly and service may not be included.

For technical questions or replacement parts, please call 1-800-444-3353.

Manual Revised 10e

SAVE THIS MANUAL

Keep this manual for the safety warnings and precautions, assembly, operating, inspection, maintenance and cleaning procedures. Write the product's serial number in the back of the manual near the assembly diagram (or month and year of purchase if product has no number). Keep this manual and the receipt in a safe and dry place for future reference.

IMPORTANT SAFETY INSTRUCTIONS

In this manual, on the labeling, and all other information provided with this product:



This is the safety alert symbol. It is used to alert you to potential personal injury hazards. Obey all safety messages that follow this symbol to avoid possible injury or death.

⚠ DANGER DANGER indicates a hazardous situation which, if not avoided, will result in death or serious injury.

⚠ WARNING WARNING indicates a hazardous situation which, if not avoided, could result in death or serious injury.

⚠ CAUTION CAUTION, used with the safety alert symbol, indicates a hazardous situation which, if not avoided, could result in minor or moderate injury.

NOTICE NOTICE is used to address practices not related to personal injury.

CAUTION CAUTION, without the safety alert symbol, is used to address practices not related to personal injury.


READ AND UNDERSTAND ALL INSTRUCTIONS

When using electrical tools, safety precautions should always be followed including the following:

Work Area Safety

1. Do not use outdoors.
2. Close supervision is necessary when any tool is used by or near children.
3. Do not let cord hang over edge of table or counter, or touch hot surfaces.
4. Do not place on or near a hot gas or electric burner, or in a heated oven.
5. Extreme caution must be used when moving an tool.
6. Keep the work area well lit. Make sure there is adequate surrounding workspace. Keep the work area free of obstructions and other debris.

Electrical Safety

1.  To protect against electrical shock do not immerse cord, plugs, or the main unit in water or other liquid. Only the non-electrical parts of the unit may be immersed for cleaning. Thoroughly clean and dry these parts prior to first use and before every subsequent use.
2. Unplug from outlet when not in use and before maintenance or cleaning.
3. Do not operate any tool with a damaged cord or plug or after the tool malfunctions or has been damaged in any manner. Return tool to the nearest authorized service facility for examination, repair, or adjustment.
4. This Electric Sharpener has a polarized plug (one blade is wider than the other). To reduce the risk of electric shock, this plug is intended to fit into a polarized outlet only one way. If the plug does not fit fully in the outlet, reverse the plug. If it still does not fit, contact a qualified electrician. Do not change the plug in any way.
5. Do not use this product in a damp or wet location.
6. Do not clean with metal scouring pads. Metal pieces can break off the pads and touch electrical parts involving risk of shock.

Power Cord Safety

1. A short power supply cord is to be provided to reduce risks resulting from becoming entangled in or

tripping over a longer cord.

2. Longer extension cords are available and may be used if care is exercised in their use.
3. If a long extension cord is used,
 - a. the marked electrical rating of the (detachable power supply cord or) extension cord should be at least as great as the electrical rating of the tool,
 - b. if the tool is of the grounded type, the extension cord should be a grounding type 3-wire cord, and
 - c. the longer cord should be arranged so that it will not drape over the counter top or tabletop where it can be pulled on by children or tripped over.

General Safety

1. The use of accessory attachments not recommended by the tool manufacturer may cause injuries.
2. To disconnect, turn any control to "off", then remove plug from wall outlet.
3. Do not use tool for other than intended use.
4. Maintain labels and nameplates on the tool. These carry important safety information. If unreadable or missing, contact Harbor Freight Tools for a replacement.
5. Do not store anything other than the manufacturer's recommended accessories in this unit when not in use.

6. This product is not a toy. Keep it out of reach of children when children are not being closely supervised.
 7. People with pacemakers should consult their physician(s) before use. Electromagnetic fields in close proximity to heart pacemaker could cause pacemaker interference or pacemaker failure.
 8. **WARNING:** The brass components of this product contain lead, a chemical known to the State of California to cause birth defects (or other reproductive harm). (California Health & Safety code § 25249.5, et seq.)
 9. **WARNING:** Handling the cord on this product will expose you to lead, a chemical known to the State of California to cause cancer, and birth defects or other reproductive harm. Wash hands after handling. (California Health & Safety Code § 25249.5, et seq.)
 10. The warnings, precautions, and instructions discussed in this instruction manual cannot cover all possible conditions and situations that may occur. It must be understood by the operator that common sense and caution are factors which cannot be built into this product, but must be supplied by the operator.
3. Knives with serrated edges are a good example of blades that may not be suited for this Electric Sharpener.
 4. This Multi-purpose Electric Sharpener is not recommended for professional applications.



SAVE THESE INSTRUCTIONS.

SPECIFICATIONS

Electrical Requirements	120 V~ / 60 Hz / 70 W
Cord Length	6' L
Speed	4800 RPM
Switch	Rocker Type ON/OFF
Applications	Drill Bits: 1/8" ~ 3/8" (3~10mm) Chisels/Planer Blades: 1/4" ~ 2" W Most Knives and Scissors.
Minimum size drill bit 1/8"	

UNPACKING

When unpacking, check to make sure that the item is intact and undamaged. If any parts are missing or broken, please call Harbor Freight Tools at the number shown on the cover of this manual as soon as possible.

Specific Safety Rules

1. **Grinding wheel MUST BE rated to at least 4800 RPM.**
2. **Wear ANSI-approved safety goggles and heavy-duty work gloves during set up and use.**

ASSEMBLY



Read the **ENTIRE IMPORTANT SAFEGUARDS** section at the beginning of this manual including all text under subheadings therein before set up or use of this product.

WARNING

TO PREVENT SERIOUS INJURY

FROM ACCIDENTAL OPERATION OR ELECTRIC SHOCK:

Before tool assembly or adjustment, make sure the tool's switch is turned off, and the cord is unplugged.

Note: For additional information regarding the parts listed in the following pages, refer to the Assembly Diagram near the end of this manual.

Assembling the Sharpening Attachments

1. There are three sharpening Attachments for this Multi-purpose Electric Sharpener:

Figure 1



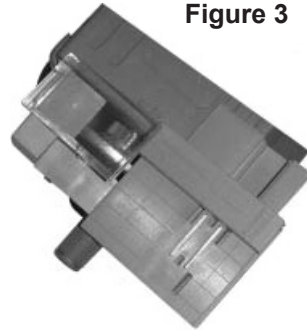
- a. Standard Knife and Scissor Attachment.

Figure 2



- b. High speed Drill Bit Attachment.

Figure 3



- c. Straight Edge Chisel and Plane Blade Attachment.

2. All three Attachments can be easily snapped on and off the front of the Electric Sharpener. Slide the Attachment into or out of the grooved channels on each side of the Motor Housing. All three snap in place.

OPERATION

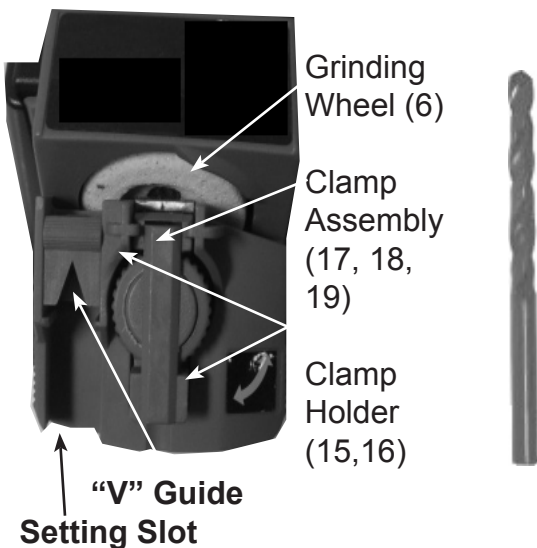


Read the **ENTIRE IMPORTANT SAFEGUARDS** section at the beginning of this manual including all text under subheadings therein before set up or use of this product.

Using the High Speed Drill Bit Attachment

1. Slide the High Speed Drill Bit Attachment onto the Motor Housing until it snaps at the bottom.

Figure 4



2. Remove Clamp Assembly (17,18,19) from Clamp Holder (15,16) and insert it in the Setting Slot at the left hand side of the module by aligning the slots at the sides of Clamp Holder (15,16) with the tabs of the Setting Slot. Clamping nut should be on the top side.
3. Slide the "V" Guide all the way down and hold in place with one hand. Insert the bit into the Clamp and while pushing it into the "V", rotate

the bit so that all four corners of the bit would touch the walls of the "V" Guide. (Only sharpen Right Hand twist drill bits)

4. Ease back the "V" Guide until the bit rests against the stopper at the center of the "V". Turn the Clamping Nut clockwise to securely hold the bit (Do Not Over-tighten).
5. Pull back on the "V" Guide and remove the Clamp Assembly (17,18,19).
6. Push top of the sharpener assembly forward (away from the sharpening stone), and insert the Clamp into the Clamp Holder (15,16).
7. Start the motor by pushing the "I" on the switch. Wait until the grinding-wheel picks up speed. In a uniform, slow and steady motion swing the Clamp Assembly back and forth until grinding noise subsides.
8. Turn the switch to its off position. Lift the Clamp Assembly (17,18,19) and flip it upside down. Repeat steps 6 through 8 to sharpen the other face of the bit.

Note: SHARPEN BOTH FACES OF THE BIT EQUALLY.

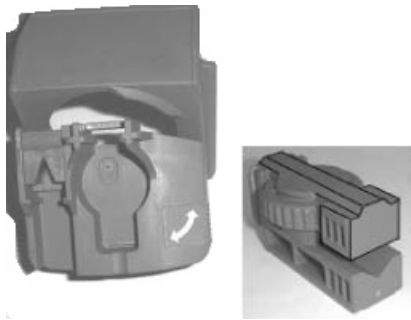
9. Stop the motor, remove the bit with the Clamp Assembly (17,18,19) and inspect both faces of the bit. If further grinding is necessary, repeat steps 3 to 8. However, if the result is satisfactory, back off the clamping nut and remove the bit.

CAUTION: The bit may be hot. Handle with care.

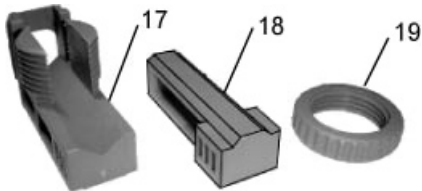
10. Disconnect from the electrical outlet, wipe the unit to remove dust, metal shavings and debris. Return the Clamp Assembly (17,18,19) into the Clamp Holder (15,16). Cover and store in a safe location.

For the drill bit diameter smaller than 9/64”

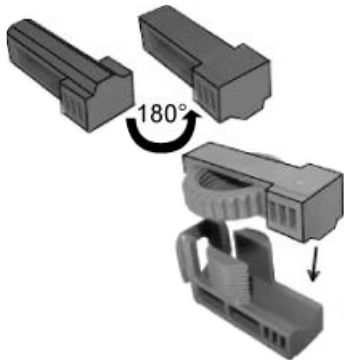
1. Take out Clamp Assembly (17,18,19) from Clamp Holder (15,16);



2. Loosen the Clamp Assembly;

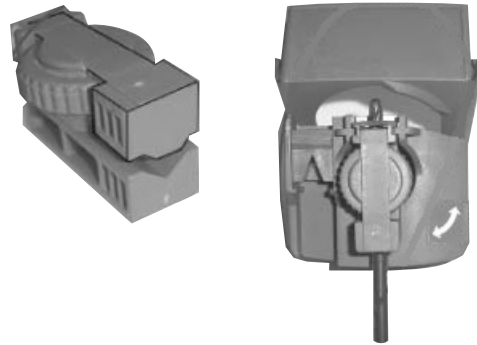


3. Turn the Locking Nut for Clamp Holder (18) in 180°;



4. Insert the Locking Nut for Clamp Holder (18) with Top Lock Nut for Clamp Holder (19) into the slot of the Turn Nut for Clamp Holder (17);

5. Tighten the Top Lock Nut for Clamp Holder (19) clockwise;



6. Insert Clamp Assembly (17,18,19) into Clamp Holder (15,16);
7. Then the attachment can be for the drill bit diameter smaller than 9/64”.

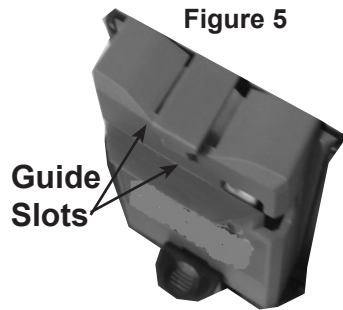
NOTE: Mastering the setup and grinding the bit will require practice.

- The module may be pulled back towards the grinding wheel for faster material removal,
- Clamp assembly may need to be inserted partially and as the faces are sharpened, it may need to be pushed down until the Clamp Holder rests at the bottom of its cavity.

Knives

1. Slide the Scissors and Knife-Sharpening attachment into the Motor Housing (1), making sure that the latch snaps into the catch at the lower side of the attachment.

2. Switch the Motor on.



3. Hold the knife handle towards you and insert the heel end of the blade into the Guide Slot. See **Figure 5** for all directions in this section.
4. As soon as the blade touches the Grinding Wheel (6), slide it with light, even pressure across the Grinding Wheel (6) surface to the knife tip, then remove it. Do not use excess pressure.
5. Insert the other side of the knife into the opposite guide slot and repeat the same procedure as in number 3 above.
6. Continue this procedure alternating sides of the knife blade until a sharp edge is attained.
7. Turn off the power to the Motor Housing with Switch (3).

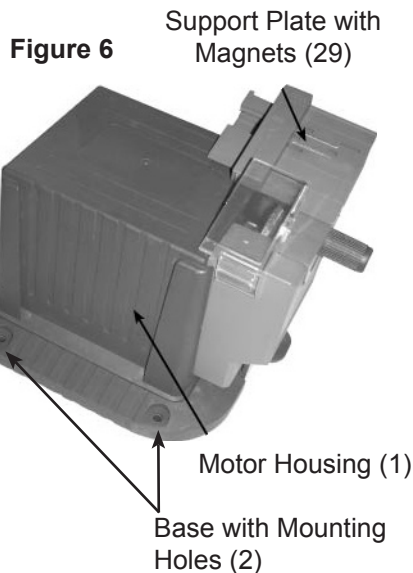
latch snaps into the catch at the lower side of the attachment.

3. Turn on the Power Switch (3) and allow the motor speed to stabilize.
4. Open the scissors fully. Note: This tool can only sharpen those scissors which spread fully (past 90°).
5. Keeping the idle blade to the right hand side of the Motor Housing (1), position the underside of the blade to be sharpened in the slot across the face of the Attachment. Position the blade edge parallel to the right hand side of the grinding wheel and with very light pressure slide the entire length of the blade across the grinding wheel.
6. Repeat Step 4 above to sharpen the other blade. Alternate between blades until a keen edge is formed across the edges. Remove scissors from the sharpener
7. Turn off the Power Switch (3).

Using Scissors Attachment

1. Slide the Scissors and Knife-Sharpening attachment into the Motor Housing (1), making sure that the latch snaps into the catch at the lower side of the attachment.
2. Attach the Scissors and Knife Sharpening Attachment to the grinding wheel side of the Motor Housing (1), making sure that the

Using the Chisel and Plane Attachment



1. Slide the Chisel and Plane sharpening attachment into the Motor Housing (1), making sure that the latch snaps into the catch at the lower side of the attachment.
2. Determine the existing blade bevel angle, back off the thumb screw and slide the guide platform to the desired angle, using the scale and indicator on the face of the attachment. Tighten the thumb screw.

Note: To redress the edge to an alternative angle, use of a heavy-duty grinding set-up is recommended.

3. Position the chisel against the side lip of the Support Plate (29) and slide the chisel edge down to reach the grinding wheel.

Note: The chisel should be perpendicular to the grinding wheel. The magnet on the Support Plate will support the blade in position during set up, but the blade must be held firmly by hand during actual grinding.

4. Turn on the Power Switch (3) and allow the motor speed to stabilize.
5. Slide the Support Plate, making sure that blade edge touches the wheel.

Note: Do not force the blade onto the Grinding Wheel.

6. Stop the motor and remove the blade to inspect for proper and uniform bevel angle and sharp edge. If necessary, bevel angle may be slightly re-adjusted.
7. When sharpening cold chisels, stop the Motor, turn the blade upside down, repeat steps 4 through 6 to sharpen the other face.
8. To prevent accidents, after each use turn off the tool and disconnect it for its power supply. Clean, then store indoors out of children's reach.

Note: For extra fine edge, use of whet stone and honing oil is recommended after completion of sharpening with this tool.

INSPECTION AND MAINTENANCE



WARNING TO PREVENT SERIOUS INJURY

**FROM ACCIDENTAL
OPERATION OR ELECTRIC
SHOCK:**

**Before inspection or
maintenance, make sure the
switch is turned off, and the
cord is unplugged.**

**TO PREVENT SERIOUS
INJURY FROM FAILURE:
Do not use if damaged. If
abnormal noise or vibration
occurs, have the problem
corrected before further use.**

BEFORE EACH USE, inspect the
general condition of the Electric
Sharpener. Check for loose screws,
misalignment or binding of moving
parts, cracked or broken parts,
damaged electrical wiring, and any
other condition that may affect its
safe operation.

Troubleshooting

Problem	Possible Causes	Likely Solutions
Electric Sharpener will not start	1. No power at outlet. 2. Cord not connected.	1. Check power at outlet. 2. Check that cord is plugged in.
Grinding Wheel not running smoothly	3. Grinding Wheel may not be true due to wear during use.	4. Check Grinding Wheel for smooth, straight edge and replace if necessary.



Follow all safety precautions whenever diagnosing or servicing the tool. Disconnect power supply before service.

PLEASE READ THE FOLLOWING CAREFULLY

THE MANUFACTURER AND/OR DISTRIBUTOR HAS PROVIDED THE PARTS LIST AND ASSEMBLY DIAGRAM IN THIS MANUAL AS A REFERENCE TOOL ONLY. NEITHER THE MANUFACTURER OR DISTRIBUTOR MAKES ANY REPRESENTATION OR WARRANTY OF ANY KIND TO THE BUYER THAT HE OR SHE IS QUALIFIED TO MAKE ANY REPAIRS TO THE PRODUCT, OR THAT HE OR SHE IS QUALIFIED TO REPLACE ANY PARTS OF THE PRODUCT. IN FACT, THE MANUFACTURER AND/OR DISTRIBUTOR EXPRESSLY STATES THAT ALL REPAIRS AND PARTS REPLACEMENTS SHOULD BE UNDERTAKEN BY CERTIFIED AND LICENSED TECHNICIANS, AND NOT BY THE BUYER. THE BUYER ASSUMES ALL RISK AND LIABILITY ARISING OUT OF HIS OR HER REPAIRS TO THE ORIGINAL PRODUCT OR REPLACEMENT PARTS THERETO, OR ARISING OUT OF HIS OR HER INSTALLATION OF REPLACEMENT PARTS THERETO.

Record Product's Serial Number Here: _____

Note: If product has no serial number, record month and year of purchase instead.

Note: Some parts are listed and shown for illustration purposes only, and are not available individually as replacement parts.

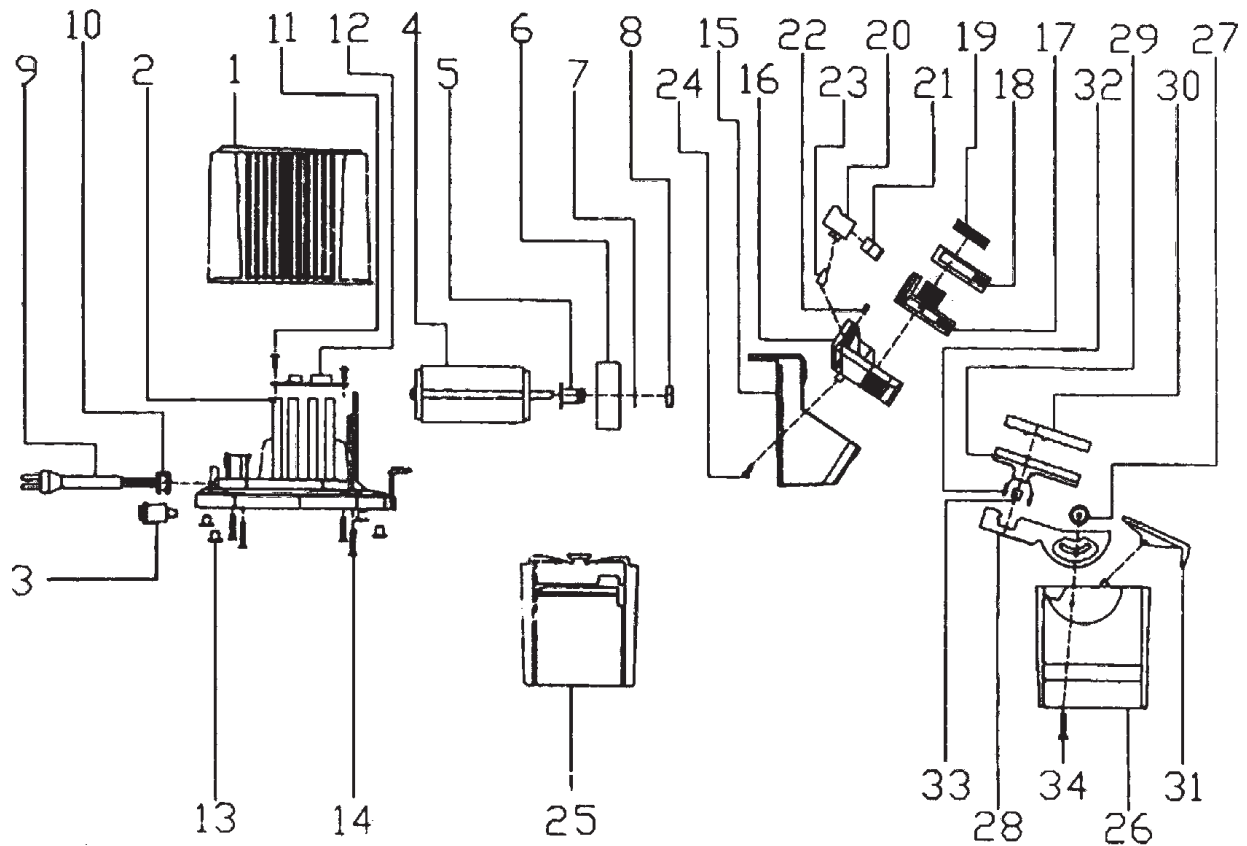
PARTS LIST

Part	Description	Q'ty
1	Motor Housing	1
2	Base (with mounting holes)	1
3	Switch (Rocker type ON/OFF)	1
4	Motor	1
5	Wheel Valve	1
6	Grinding Wheel	1
7	Sign for Rotational Direction	1
8	Nut	1
9	Power Cord	1
10	Cable Jacket	1
11	Screw	2
12	PCB	1
13	Rubber Foot	4
14	Screw	4
15	Clamp Holder	1
16	Clamp	1
17	Turn Nut for Clamp Holder	1
18	Locking Nut for Clamp Holder	1

PARTS LIST

Part	Description	Q'ty
19	Top Lock Nut for Clamp Holder	1
21	Located Block	1
22	Screw	1
23	Back Plate for "V" Guide	1
24	High Speed Drill Bit Attachment	1
25	Standard Knife and Scissors Attachment	1
26	Straight Edge Chisel and Plane Blade Attachment	1
27	Lock Nut	1
28	Angle Plate	1
29	Blade Support Shelf	1
30	Move Plate	1
31	Protective Guard	1
32	Magnet Guard	2
33	Magnet	1
34	Screw	1

ASSEMBLY DIAGRAM



LIMITED 90 DAY WARRANTY

Harbor Freight Tools Co. makes every effort to assure that its products meet high quality and durability standards, and warrants to the original purchaser that this product is free from defects in materials and workmanship for the period of 90 days from the date of purchase. This warranty does not apply to damage due directly or indirectly, to misuse, abuse, negligence or accidents, repairs or alterations outside our facilities, criminal activity, improper installation, normal wear and tear, or to lack of maintenance. We shall in no event be liable for death, injuries to persons or property, or for incidental, contingent, special or consequential damages arising from the use of our product. Some states do not allow the exclusion or limitation of incidental or consequential damages, so the above limitation of exclusion may not apply to you. THIS WARRANTY IS EXPRESSLY IN LIEU OF ALL OTHER WARRANTIES, EXPRESS OR IMPLIED, INCLUDING THE WARRANTIES OF MERCHANTABILITY AND FITNESS.

To take advantage of this warranty, the product or part must be returned to us with transportation charges prepaid. Proof of purchase date and an explanation of the complaint must accompany the merchandise. If our inspection verifies the defect, we will either repair or replace the product at our election or we may elect to refund the purchase price if we cannot readily and quickly provide you with a replacement. We will return repaired products at our expense, but if we determine there is no defect, or that the defect resulted from causes not within the scope of our warranty, then you must bear the cost of returning the product.

This warranty gives you specific legal rights and you may also have other rights which vary from state to state.

**3491 Mission Oaks Blvd. • PO Box 6009
Camarillo, CA 93011 • (800) 444-3353**