

CENTRAL MACHINERY®

CHAINSAW CHAIN BREAKER / SPINNER

Model 99835

**ASSEMBLY, OPERATING, AND MAINTENANCE
INSTRUCTIONS**



Diagrams within this manual may not be drawn proportionally.
Due to continuing improvements, actual product may differ slightly from the product described herein.

Distributed exclusively by Harbor Freight Tools®.

3491 Mission Oaks Blvd., Camarillo, CA 93011

Visit our website at: <http://www.harborfreight.com>



**Read this material before using this product.
Failure to do so can result in serious injury.
SAVE THIS MANUAL.**

Copyright© 2008 by Harbor Freight Tools®. All rights reserved. No portion of this manual or any artwork contained herein may be reproduced in any shape or form without the express written consent of Harbor Freight Tools.

For technical questions or replacement parts, please call 1-800-444-3353.

SAVE THIS MANUAL

Keep this manual for the safety warnings and precautions, assembly, operating, inspection, maintenance and cleaning procedures. Write the product's serial number in the back of the manual near the assembly diagram (or month and year of purchase if product has no number). Keep this manual and the receipt in a safe and dry place for future reference.

IMPORTANT SAFETY INSTRUCTIONS

In this manual, on the labeling, and all other information provided with this product:



This is the safety alert symbol. It is used to alert you to potential personal injury hazards. Obey all safety messages that follow this symbol to avoid possible injury or death.

DANGER

DANGER indicates a hazardous situation which, if not avoided, will result in death or serious injury.

WARNING

WARNING indicates a hazardous situation which, if not avoided, could result in death or serious injury.

CAUTION

CAUTION, used with the safety alert symbol, indicates a hazardous situation which, if not avoided, could result in minor or moderate injury.

NOTICE


NOTICE is used to address practices not related to personal injury.

CAUTION

CAUTION, without the safety alert symbol, is used to address practices not related to personal injury.

READ ALL INSTRUCTIONS

Personal Safety

1. Dress Properly - Do not wear loose clothing or jewelry. They can be caught in moving parts. Use of rubber gloves and substantial footwear is recommended when working outdoors. Wear protective hair covering to contain long hair.
2.  Wear ANSI-approved safety goggles and heavy-duty work gloves. Use face or dust mask if operation is dusty.
3. Do not Overreach - Keep proper footing and balance at all times.
4. Stay Alert - Watch what you are doing. Use common sense. Do not operate Tool when you are tired.

5.  **Keep hands away from anvil area.**
6.  **Wear thick jeans and steel-toed work boots to help prevent injury caused by flying debris.**

Chain Breaker Use and Care

1. **Keep Children Away - All visitors should be kept at a distance from work area.**
2. When servicing use only identical replacement parts.
3. Use Right Tool - Do not use Tool for any job except that for which it is intended.
4. Do not Force Tool - It will do the job better and with less likelihood of injury at the rate for which it was designed.
5. Store Idle Tools Indoors - When not in use, Tools should be stored indoors in dry, and high or locked-up place - out of reach of children.
6. Maintain Tool With Care - Keep tool maintained to reduce the risk of injury. Follow instructions for lubricating and changing accessories. Keep handles dry, clean, and free from oil and grease.
7. Check Damaged Parts - Before further use of the Tool, a guard or other part that is damaged should be carefully checked to determine that it will operate properly and perform its intended function. Check for alignment of moving parts, binding of moving parts, breakage of parts, mounting, and any other condition

that may affect its operation. A guard or other part that is damaged should be properly repaired or replaced by a qualified technician unless indicated elsewhere in this manual.

8. Keep Hands clear of anvil when pressing pin.



SAVE THESE INSTRUCTIONS.

SPECIFICATIONS

Materials Application	Removing and reinstalling pins in chainsaw chains
Anvil Sizes	1/4", 0.325", 3/8", 0.404", 7/16" and 1/2" Pitch.

UNPACKING

When unpacking, check to make sure that the item is intact and undamaged. If any parts are missing or broken, please call Harbor Freight Tools at the number shown on the cover of this manual as soon as possible.

SET UP INSTRUCTIONS



Read the **ENTIRE IMPORTANT SAFETY INSTRUCTIONS** section at the beginning of this manual including all text under subheadings therein before set up or use of this product.

Note: For additional information regarding the parts listed in the following pages, refer to the Assembly Diagram near the end of this manual.

Assembly

1. This tool must be bench mounted before use. To bench mount, choose an appropriate work bench for mounting. The workbench must be solid, level and strong enough to support the weight of the tool, the work material,

and pressure applied to the tool during chain breaking and rivet spinning.

2. Use the Tool Base (1) as a template to mark the bench top. Drill two 5/16" holes for mounting bolts (not included), being careful not to drill into any hidden electric or utility lines. Mount the Base using bolts, washers and nuts (not included); tighten securely.
3. Mount the Breaker Lever (3) into the Breaker Cam (15). Secure the Lever in place using one Hex Set Screw (18). Be sure Lever and Cam turn freely, then tighten screw securely using included Hex Wrench (20).
4. Insert the Breaker Punch (19) into the Tool Holder (21). Hold in place using one Hex Screw (18). Tighten securely using included Hex Wrench (20).

Functions

1. This tool is intended to break apart and reassemble chains for chain saws.

Available Accessories/ Attachments



Use of any accessory or attachment other than those listed below may increase the risk of serious injury.

1. This Tool includes two sets of Dies for spinning the chain rivets. These are to fit the diameter of your chain rivets.

	<i>Spinner Die</i>	<i>Thrust Die</i>
Small	5/32"W x 7/32"L	7/32" Dia. Cup
Large	7/32" W x 11/32" L	9/32" Dia. Cup

- The Anvil (2) has settings for 6 different chain sizes.


<i>Chain Pitch and Width</i>
1/4" Pitch: 0.233" Wide
0.325" Pitch: 0.255" Wide
3/8" Pitch: 0.297" Wide
0.404" Pitch: 0.326" Wide
7/16" Pitch: 0.345" Wide
1/2" Pitch: 0.389" Wide

When in operation, place the Anvil as required to position the chain directly under the Breaker Punch (19).

OPERATING INSTRUCTIONS



Read the ENTIRE IMPORTANT SAFETY INFORMATION section at the beginning of this manual including all text under subheadings therein before set up or use of this product.

- Before operating the Chain Breaker, wear ANSI-approved safety goggles and other safety gear. Safety goggles and other safety gear are sold separately.
- 

Keep hands away from Breaker Punch (19), Spinner Sleeve (10), Spinner Die (11), and Thrust Die (11) during operation. Severe pinch hazard exists at these areas during operation.

To Disassemble (Break) the Chain

- Fit the chain to the correct notch on the Anvil (2). Be sure the rivet lines up under the hole in the bottom of the slot in the Anvil.
- Position the Anvil (2) and chain directly under the Breaker Punch (19).
- Lower the Breaker Lever (3) to lower the Breaker Punch (19) onto the rivet. Be sure the Breaker Punch is centered on the rivet, and the rivet is centered over the hole in the bottom of the Anvil.
- Pull down on the Breaker Lever (3) to drive the rivet out of the chain.
- If the rivet binds, recheck the alignment of all parts. Apply a small amount of penetrating oil. Retry driving the rivet out of the chain.
- When the rivet has been driven out, remove the chain from the Anvil (2). Check for any damage to the links.

To Reassemble (Spin) the Chain

- Select either the Large or the Small Spinner and Thrust Dies (11 and 12) and insert into the Spinner Sleeve (10) and Thrust Handle (13) respectively. Always use a matched set of dies, do not mix sizes.
- Apply a small amount of light grease to the rivet. Insert the rivet into place, loosely assembling the chain.
- Drape the chain over the Guide Wheels (4) to hold it in place for spinning. The position of the wheels can be adjusted using the Wheel Locking Screws (5). Be sure the rivet is centered on the Dies.

4. Rotate the Thrust Handle (13) clockwise until the chain rivet is held against the Spinner Die (11).
5. Check again to be sure the rivet is lined up with the Dies and the openings in the chain links.
6. Apply a small amount of oil to the faces of the Dies (11 and 12).
7. Turn the Spinner Handle (7) clockwise to begin forming the rivet head. At the same time, slowly turn the Thrust Handle (13) to keep the rivet centered and provide resistance to the pressure applied by the Spinner Die.
8. Once the rivet head is formed, turn both the Spinner Handle (7) and Thrust Handle (13) counterclockwise to release the chain.
9. Check the rivet to be sure it is properly formed. Check the chain to be sure it is not damaged and moves freely.

⚠ WARNING

TO PREVENT SERIOUS INJURY FROM TOOL FAILURE:
Do not use damaged equipment. If abnormal noise or binding occurs, have the problem corrected before further use.

Cleaning, Maintenance, and Lubrication

1. **BEFORE EACH USE**, inspect the general condition of the Tool. Check for loose screws, misalignment or binding of moving parts, cracked or broken parts and any other condition that may affect its safe operation.
2. **AFTER USE**, clean external surfaces of the Tool with clean, moist cloth.
3. Occasionally coat bare metal components with a light coating of oil to prevent corrosion.
4. Store this tool in a dry location away from moisture or corrosive materials.

MAINTENANCE AND SERVICING

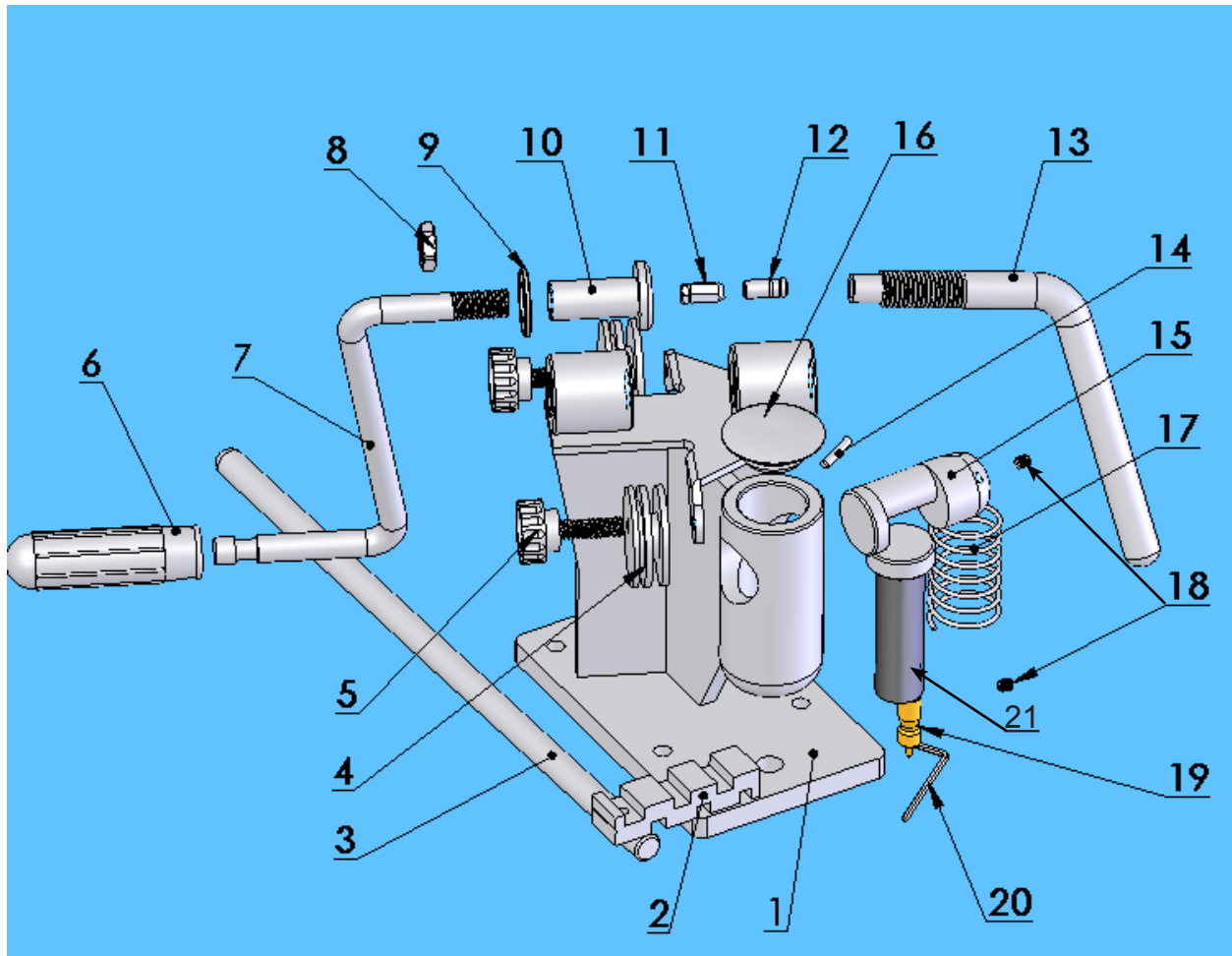


Procedures not specifically explained in this manual must be performed only by a qualified technician.

PLEASE READ THE FOLLOWING CAREFULLY

THE MANUFACTURER AND/OR DISTRIBUTOR HAS PROVIDED THE PARTS LIST AND ASSEMBLY DIAGRAM IN THIS MANUAL AS A REFERENCE TOOL ONLY. NEITHER THE MANUFACTURER OR DISTRIBUTOR MAKES ANY REPRESENTATION OR WARRANTY OF ANY KIND TO THE BUYER THAT HE OR SHE IS QUALIFIED TO MAKE ANY REPAIRS TO THE PRODUCT, OR THAT HE OR SHE IS QUALIFIED TO REPLACE ANY PARTS OF THE PRODUCT. IN FACT, THE MANUFACTURER AND/OR DISTRIBUTOR EXPRESSLY STATES THAT ALL REPAIRS AND PARTS REPLACEMENTS SHOULD BE UNDERTAKEN BY CERTIFIED AND LICENSED TECHNICIANS, AND NOT BY THE BUYER. THE BUYER ASSUMES ALL RISK AND LIABILITY ARISING OUT OF HIS OR HER REPAIRS TO THE ORIGINAL PRODUCT OR REPLACEMENT PARTS THERETO, OR ARISING OUT OF HIS OR HER INSTALLATION OF REPLACEMENT PARTS THERETO.

ASSEMBLY DIAGRAM



Part #	Description	QTY	Part #	Description	QTY
1	Base	1	11	Spinner Die	2
2	Anvil	1	12	Thrust Die	2
3	Breaker Lever	1	13	Thrust Handle	1
4	Guide Wheel	2	14	Spring Pin	1
5	Wheel Locking Screw	2	15	Breaker Cam	1
6	Spinner Grip	1	16	Cam Holder Cover	1
7	Spinner Handle	1	17	Spring	1
8	Hex Nut	1	18	Hex Screw m5	2
9	Flat Bearing	1	19	Breaker Punch	1
10	Spinner Sleeve	1	20	Hex Wrench m2.5	1
			21	Tool Holder	1

LIMITED 90 DAY WARRANTY

Harbor Freight Tools Co. makes every effort to assure that its products meet high quality and durability standards, and warrants to the original purchaser that this product is free from defects in materials and workmanship for the period of 90 days from the date of purchase. This warranty does not apply to damage due directly or indirectly, to misuse, abuse, negligence or accidents, repairs or alterations outside our facilities, criminal activity, improper installation, normal wear and tear, or to lack of maintenance. We shall in no event be liable for death, injuries to persons or property, or for incidental, contingent, special or consequential damages arising from the use of our product. Some states do not allow the exclusion or limitation of incidental or consequential damages, so the above limitation of exclusion may not apply to you. THIS WARRANTY IS EXPRESSLY IN LIEU OF ALL OTHER WARRANTIES, EXPRESS OR IMPLIED, INCLUDING THE WARRANTIES OF MERCHANTABILITY AND FITNESS.

To take advantage of this warranty, the product or part must be returned to us with transportation charges prepaid. Proof of purchase date and an explanation of the complaint must accompany the merchandise. If our inspection verifies the defect, we will either repair or replace the product at our election or we may elect to refund the purchase price if we cannot readily and quickly provide you with a replacement. We will return repaired products at our expense, but if we determine there is no defect, or that the defect resulted from causes not within the scope of our warranty, then you must bear the cost of returning the product.

This warranty gives you specific legal rights and you may also have other rights which vary from state to state.

3491 Mission Oaks Blvd. • PO Box 6009 • Camarillo, CA 93011 • (800) 444-3353

Record Product's Serial Number Here: _____

Note: If product has no serial number, record month and year of purchase instead.

Note: Some parts are listed and shown for illustration purposes only, and are not available individually as replacement parts.