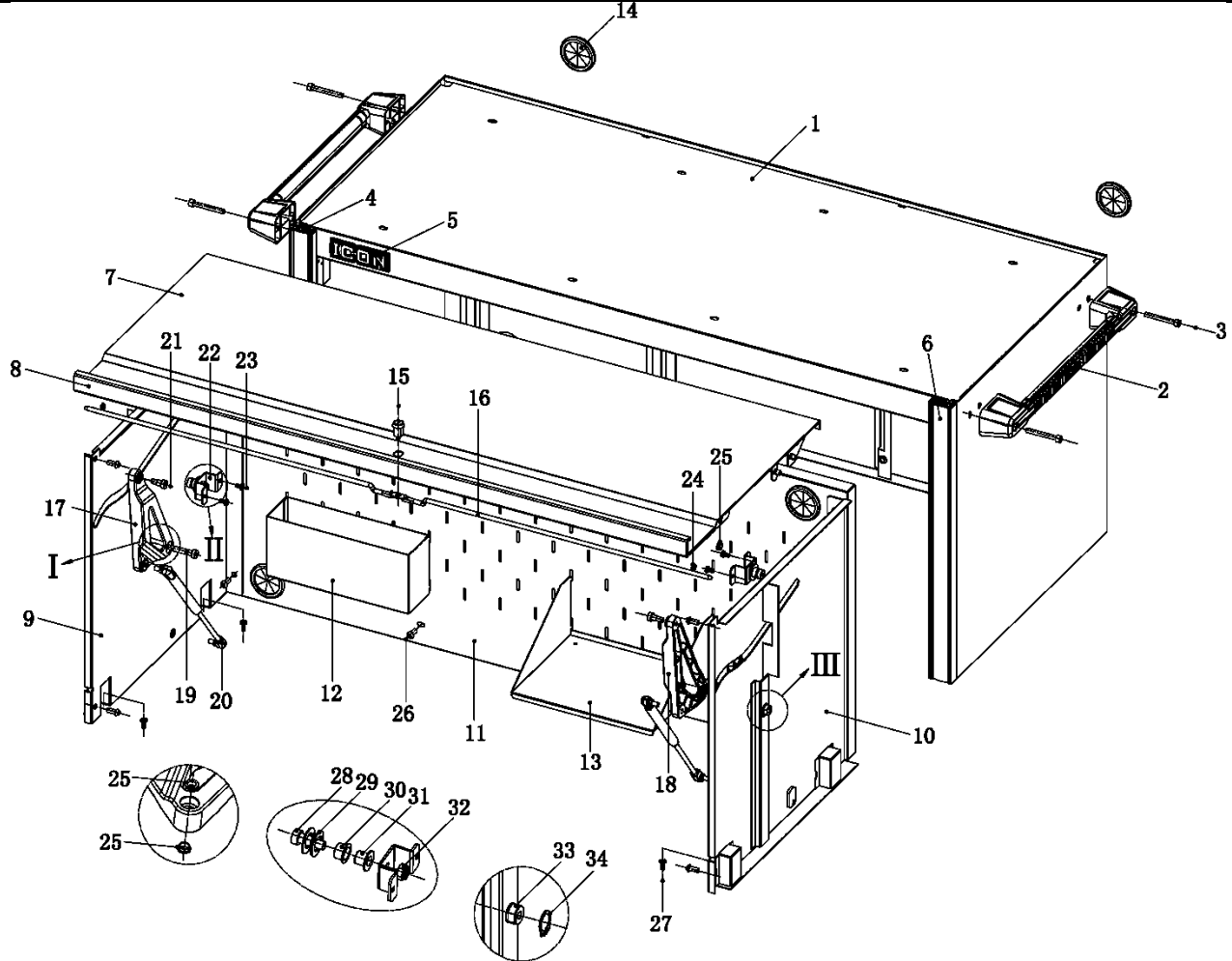


## Hardware Ordering List – Item 56137 56290 56291 56292

Call 1-800-444-3353 to order parts for this item. Provide the Order number for the needed part(s).

Part	Order	Description	Price	Part	Order	Description	Price
3	16638	M8x65 Handle Bolts 2PK	\$1.98	2	16673	Handle	\$43.99
15	16674	Lock Assembly W/ 2 Keys	\$15.99	17	16675	Left Triangle Support	\$11.99
18	16681	Right Triangle Support	\$11.99	22	16683	Holder Asst 2PK	\$23.99
20	16834	Gas Strut 2PK	\$15.99	27	16684	Mounting Screw 2PK	\$2.99
25	16685	Short Lock Bar Protector 4PK	\$1.98	None	16686	Long Lock bar Protector 4PK	\$1.98



## PLEASE READ THE FOLLOWING CAREFULLY

THE MANUFACTURER AND/OR DISTRIBUTOR HAS PROVIDED THE PARTS LIST AND ASSEMBLY DIAGRAM IN THIS DOCUMENT AS A REFERENCE TOOL ONLY. NEITHER THE MANUFACTURER OR DISTRIBUTOR MAKES ANY REPRESENTATION OR WARRANTY OF ANY KIND TO THE BUYER THAT HE OR SHE IS QUALIFIED TO MAKE ANY REPAIRS TO THE PRODUCT, OR THAT HE OR SHE IS QUALIFIED TO REPLACE ANY PARTS OF THE PRODUCT. IN FACT, THE MANUFACTURER AND/OR DISTRIBUTOR EXPRESSLY STATES THAT ALL REPAIRS AND PARTS REPLACEMENTS SHOULD BE UNDERTAKEN BY CERTIFIED AND LICENSED TECHNICIANS, AND NOT BY THE BUYER. THE BUYER ASSUMES ALL RISK AND LIABILITY ARISING OUT OF HIS OR HER REPAIRS TO THE ORIGINAL PRODUCT OR REPLACEMENT PARTS THERETO, OR ARISING OUT OF HIS OR HER INSTALLATION OF REPLACEMENT PARTS THERETO.