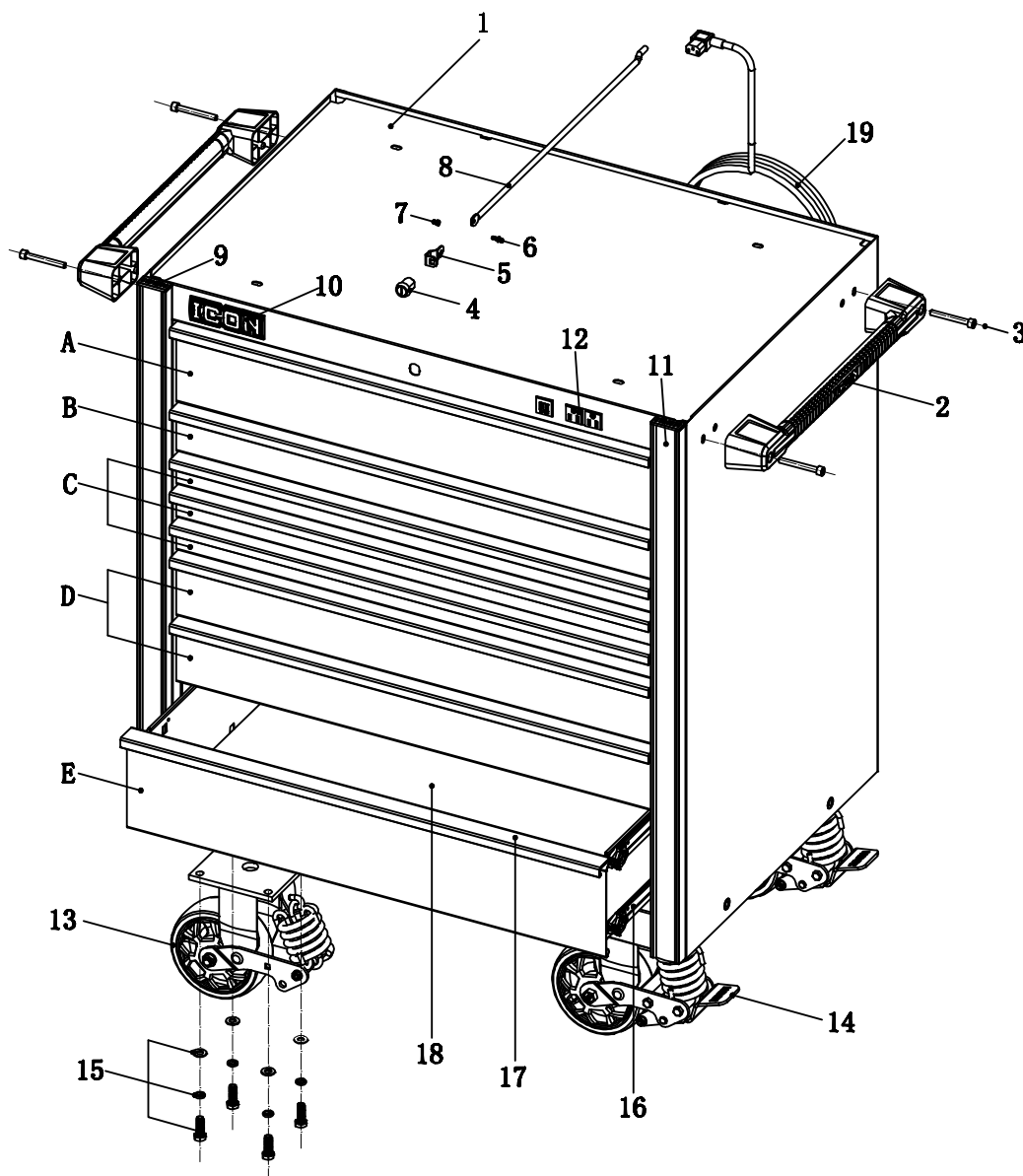


## Hardware Ordering List - Item 56144 56270 56271 56272

Call 1-800-444-3353 to order parts for this item. Provide the Order number for the needed part(s).

Part	Order	Description
2	16626	Handle
4	16757	Lock Assm. W/ 2 Keys
12	16758	Front Outlet
13	16759	Fixed Caster
14	16760	Locking Swivel Caster

Part	Order	Description
16	16761	Cabinet Slide Pair (L&R )
19	16763	Power Cord
3	16765	M8x65 Handle Bolts 2pk
20	16766	Slide Screws 2pk



## PLEASE READ THE FOLLOWING CAREFULLY

THE MANUFACTURER AND/OR DISTRIBUTOR HAS PROVIDED THE PARTS LIST AND ASSEMBLY DIAGRAM IN THIS DOCUMENT AS A REFERENCE TOOL ONLY. NEITHER THE MANUFACTURER OR DISTRIBUTOR MAKES ANY REPRESENTATION OR WARRANTY OF ANY KIND TO THE BUYER THAT HE OR SHE IS QUALIFIED TO MAKE ANY REPAIRS TO THE PRODUCT, OR THAT HE OR SHE IS QUALIFIED TO REPLACE ANY PARTS OF THE PRODUCT. IN FACT, THE MANUFACTURER AND/OR DISTRIBUTOR EXPRESSLY STATES THAT ALL REPAIRS AND PARTS REPLACEMENTS SHOULD BE UNDERTAKEN BY CERTIFIED AND LICENSED TECHNICIANS, AND NOT BY THE BUYER. THE BUYER ASSUMES ALL RISK AND LIABILITY ARISING OUT OF HIS OR HER REPAIRS TO THE ORIGINAL PRODUCT OR REPLACEMENT PARTS THERETO, OR ARISING OUT OF HIS OR HER INSTALLATION OF REPLACEMENT PARTS THERETO.

# Drawer Ordering List - Item 56144 56270 56271 56272

Call 1-800-444-3353 to order parts for this item. Provide the Order number for the needed part(s) from the column for the desired color.

Part	Order Number				Size
	Red	Blue	Black	Green	
-	16838	16850	16846	16840	4-3/8" Deep / 34-3/4" Wide
-	16839	16851	16847	16841	6-5/8" Deep / 34-3/4" Wide

