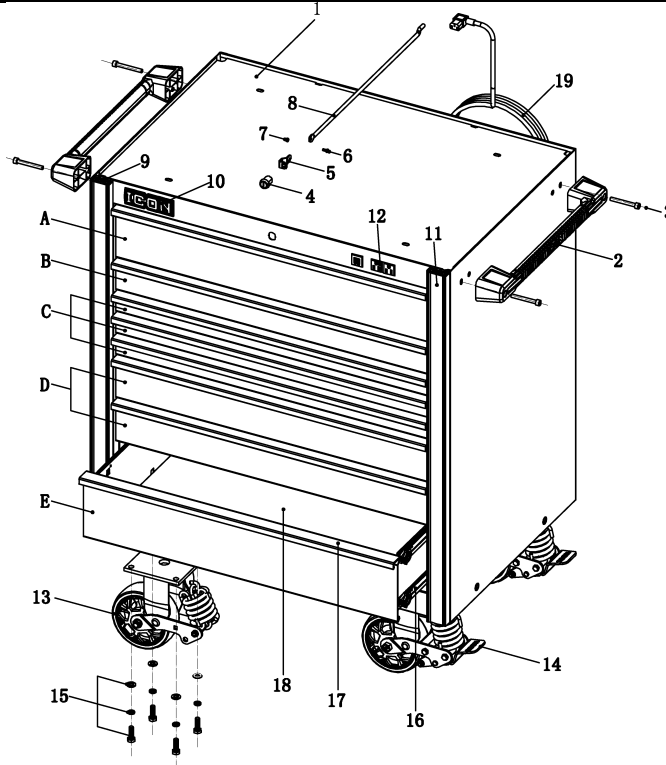


Hardware Ordering List – Item 56144 56270 56271 56272

Call 1-800-444-3353 to order parts for this item. Provide the Order number for the needed part(s).

Part	Order	Description	Price
2	16626	HANDLE	\$43.99
4	16757	LOCK ASSEMBLY W/ 2 KEYS	\$15.99
12	16758	FRONT OUTLET	\$93.99
13	16759	FIXED CASTER	\$98.99
14	16760	LOCKING SWIVEL CASTER	\$124.99
16	16761	CABINET SLIDE PAIR (L&R)	\$40.99
19	16763	POWER CORD	\$28.99
3	16638	M8X65 HANDLE BOLTS 2PK	\$1.98
20	16766	SLIDE SCREWS 2PK	\$1.98



PLEASE READ THE FOLLOWING CAREFULLY

THE MANUFACTURER AND/OR DISTRIBUTOR HAS PROVIDED THE PARTS LIST AND ASSEMBLY DIAGRAM IN THIS DOCUMENT AS A REFERENCE TOOL ONLY. NEITHER THE MANUFACTURER OR DISTRIBUTOR MAKES ANY REPRESENTATION OR WARRANTY OF ANY KIND TO THE BUYER THAT HE OR SHE IS QUALIFIED TO MAKE ANY REPAIRS TO THE PRODUCT, OR THAT HE OR SHE IS QUALIFIED TO REPLACE ANY PARTS OF THE PRODUCT. IN FACT, THE MANUFACTURER AND/OR DISTRIBUTOR EXPRESSLY STATES THAT ALL REPAIRS AND PARTS REPLACEMENTS SHOULD BE UNDERTAKEN BY CERTIFIED AND LICENSED TECHNICIANS, AND NOT BY THE BUYER. THE BUYER ASSUMES ALL RISK AND LIABILITY ARISING OUT OF HIS OR HER REPAIRS TO THE ORIGINAL PRODUCT OR REPLACEMENT PARTS THERETO, OR ARISING OUT OF HIS OR HER INSTALLATION OF REPLACEMENT PARTS THERETO.

Hardware Ordering List – Item 56144 56270 56271 56272

Call 1-800-444-3353 to order parts for this item. Provide the Order number for the needed part(s).

Part	Order Number				Size	Price
	RED	BLUE	BLACK	GREEN		
A	600634	600689	600684	600638	5-1/2 DEEP / 31-3/4 WIDE DRAWER	\$49.99
E	600635	600690	600685	600639	6-5/8 DEEP / 31-3/4 WIDE DRAWER	\$54.99

