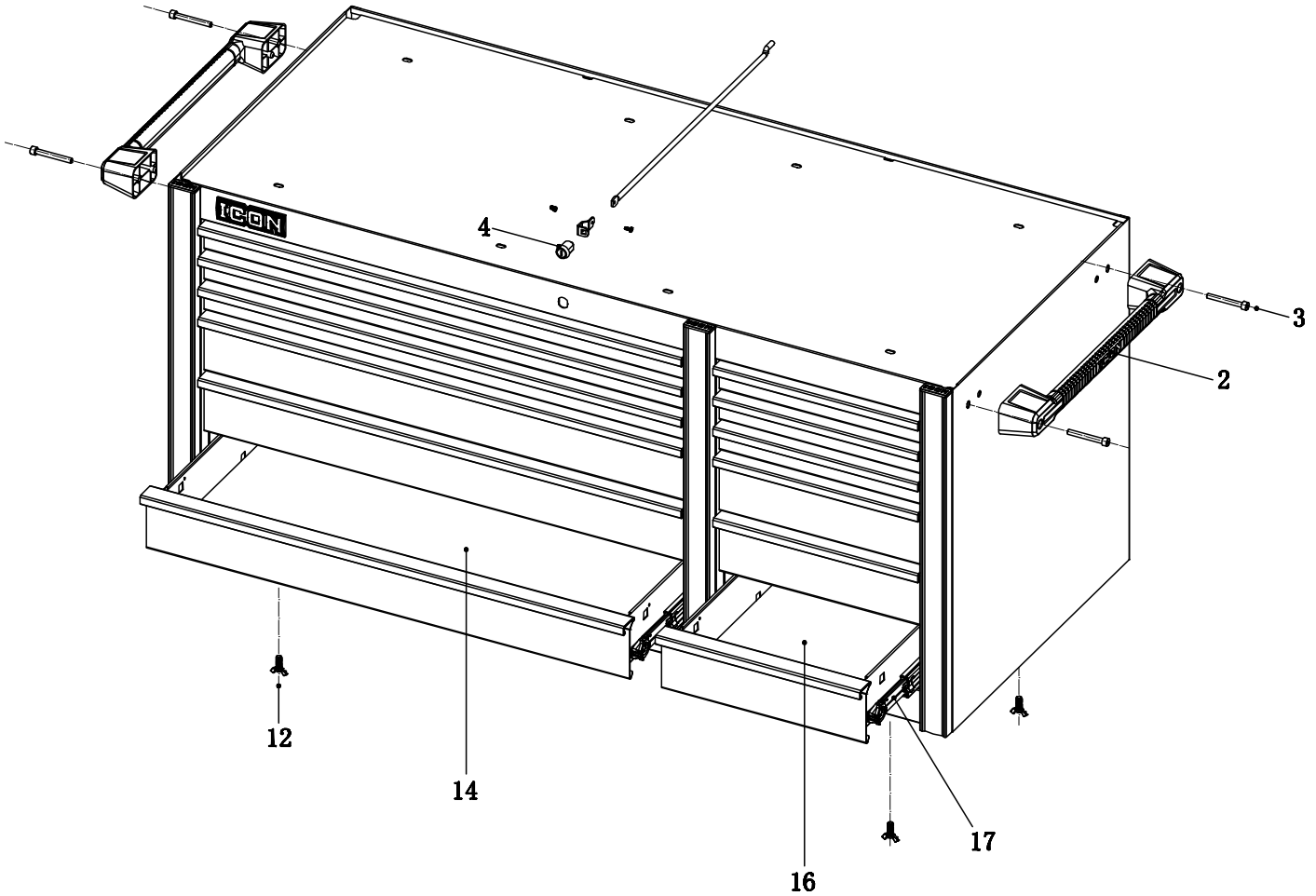


## Hardware Ordering List - Item 56135 56280 56281 56282

Call 1-800-444-3353 to order parts for this item. Provide the Order number for the needed part(s).

Part	Order	Description
2	16652	Handle
3	16655	M8x65 Handle Bolt (2 pk.)
17	16653	Cabinet Slide Pair (L&R)
18	16656	Slide Screw (2 pk., not shown)

Part	Order	Description
4	16654	Lock Asm. W/ 2 Keys
12	16659	Wing Nut Mounting Screws (4 pk.)
14	16660	Wide Drawer Liner (6 pk.)
16	16666	Drawer Liner (6 pk.)



## PLEASE READ THE FOLLOWING CAREFULLY

THE MANUFACTURER AND/OR DISTRIBUTOR HAS PROVIDED THE PARTS LIST AND ASSEMBLY DIAGRAM IN THIS DOCUMENT AS A REFERENCE TOOL ONLY. NEITHER THE MANUFACTURER OR DISTRIBUTOR MAKES ANY REPRESENTATION OR WARRANTY OF ANY KIND TO THE BUYER THAT HE OR SHE IS QUALIFIED TO MAKE ANY REPAIRS TO THE PRODUCT, OR THAT HE OR SHE IS QUALIFIED TO REPLACE ANY PARTS OF THE PRODUCT. IN FACT, THE MANUFACTURER AND/OR DISTRIBUTOR EXPRESSLY STATES THAT ALL REPAIRS AND PARTS REPLACEMENTS SHOULD BE UNDERTAKEN BY CERTIFIED AND LICENSED TECHNICIANS, AND NOT BY THE BUYER. THE BUYER ASSUMES ALL RISK AND LIABILITY ARISING OUT OF HIS OR HER REPAIRS TO THE ORIGINAL PRODUCT OR REPLACEMENT PARTS THERETO, OR ARISING OUT OF HIS OR HER INSTALLATION OF REPLACEMENT PARTS THERETO.

## Drawer Ordering List - Item 56135 56280 56281 56282

Call 1-800-444-3353 to order parts for this item. Provide the Order number for the needed part(s) from the column for the desired color.

Part	Order Number				Size
	Red	Blue	Black	Green	
D	16837	16854	16848	16842	4-3/8" Deep / 14-3/4" Wide
B	16838	16850	16846	16840	4-3/8" Deep / 34-3/4" Wide
-	16856	16855	16849	16845	6-5/8" Deep / 14-3/4" Wide
-	16839	16851	16847	16841	6-5/8" Deep / 34-3/4" Wide

