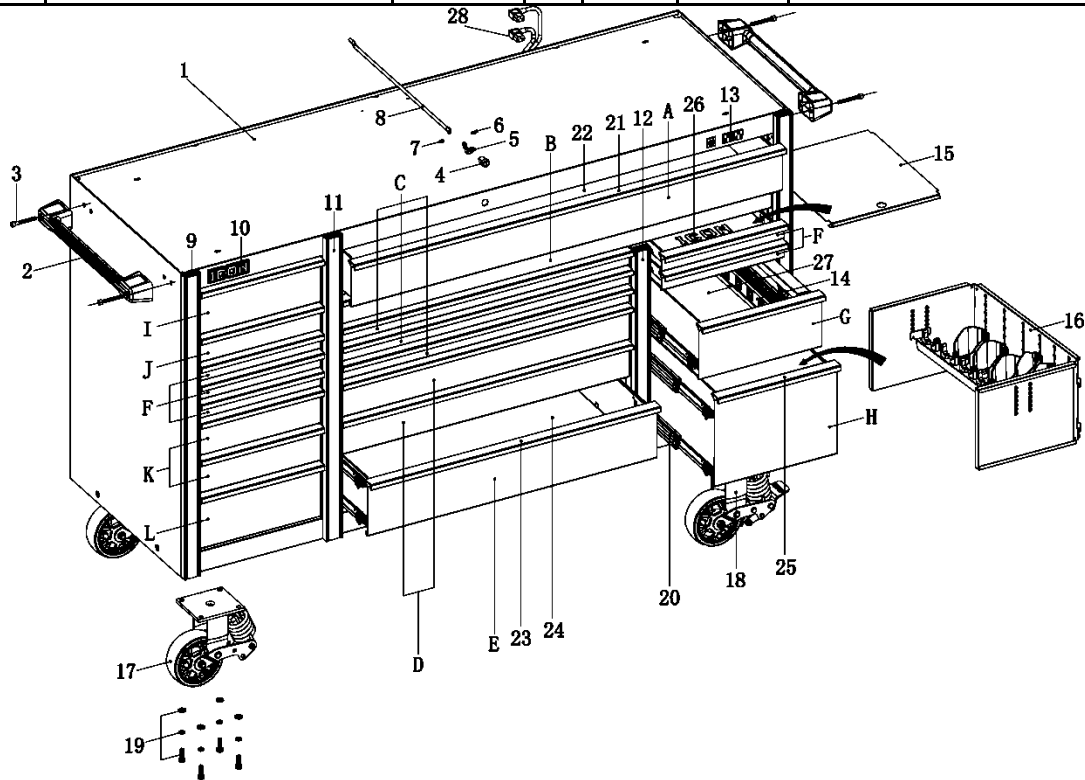


Hardware Ordering List – Item 56142 56295 56296 56297

Call 1-800-444-3353 to order parts for this item. Provide the Order number for the needed part(s).

Part	Order	Description	Price	Part	Order	Description	Price
2	16717	HANDLE	\$43.99	5	16730	LOCK CONNECTION	\$4.99
4	16718	LOCK ASSEMBLY W/ 2 KEYS	\$15.99	27	16731	LINER	\$7.99
13	16719	FRONT OUTLET	\$93.99	30	16732	TOP MAT	\$55.99
17	16720	FIXED CASTER	\$98.99	3	16638	M8X65 HANDLE BOLTS 2PK	\$1.98
18	16721	LOCKING SWIVEL CASTER	\$124.99	29	16734	SLIDE SCREWS 2PK	\$1.98
20	16722	CABINET SLIDE PAIR (L&R)	\$40.99	22	16735	LINERS 2PK	\$32.80
28	16726	POWER CORD	\$56.99	24	16736	LINERS 2PK	\$62.40
14	16728	DRAWER POWER STRIP	\$144.99	26	16739	LINERS 2PK	\$48.80



PLEASE READ THE FOLLOWING CAREFULLY

THE MANUFACTURER AND/OR DISTRIBUTOR HAS PROVIDED THE PARTS LIST AND ASSEMBLY DIAGRAM IN THIS DOCUMENT AS A REFERENCE TOOL ONLY. NEITHER THE MANUFACTURER OR DISTRIBUTOR MAKES ANY REPRESENTATION OR WARRANTY OF ANY KIND TO THE BUYER THAT HE OR SHE IS QUALIFIED TO MAKE ANY REPAIRS TO THE PRODUCT, OR THAT HE OR SHE IS QUALIFIED TO REPLACE ANY PARTS OF THE PRODUCT. IN FACT, THE MANUFACTURER AND/OR DISTRIBUTOR EXPRESSLY STATES THAT ALL REPAIRS AND PARTS REPLACEMENTS SHOULD BE UNDERTAKEN BY CERTIFIED AND LICENSED TECHNICIANS, AND NOT BY THE BUYER. THE BUYER ASSUMES ALL RISK AND LIABILITY ARISING OUT OF HIS OR HER REPAIRS TO THE ORIGINAL PRODUCT OR REPLACEMENT PARTS THERETO, OR ARISING OUT OF HIS OR HER INSTALLATION OF REPLACEMENT PARTS THERETO.

Hardware Ordering List – Item 56142 56295 56296 56297

Call 1-800-444-3353 to order parts for this item. Provide the Order number for the needed part(s).

Part	Order Number				Size	Price
	RED	BLUE	BLACK	GREEN		
K	16837	16854	16848	16842	4-3/8 DEEP / 14-3/4 WIDE DRAWER	\$27.99
D	16838	16850	16846	16840	4-3/8 DEEP / 34-3/4 WIDE DRAWER	\$49.99
E	16839	16851	16847	16841	6-5/8 DEEP / 34-3/4 WIDE DRAWER	\$54.99
L	16856	16855	16849	16845	6-5/8 DEEP / 14-3/4 WIDE DRAWER	\$27.99

