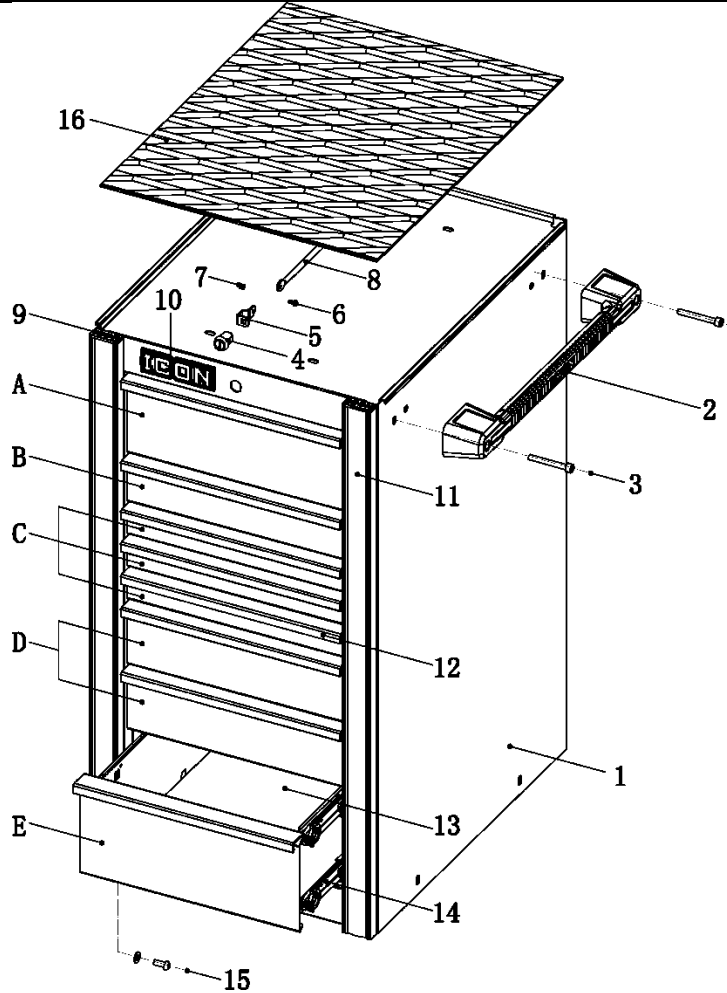


Hardware Ordering List – Item 56139 56315 56316 56317

Call 1-800-444-3353 to order parts for this item. Provide the Order number for the needed part(s).

Part	Order	Description	Price	Part	Order	Description	Price
3	16638	M8X65 HANDLE BOLTS 2PK	\$1.98	2	16691	Handle	\$43.99
4	16692	Lock Assembly W/ 2 Keys	\$15.99	14	16693	Cabinet Slide Pair (L&R)	\$40.99
17	16696	Slide Screw Pair	\$1.98	16	16697	Top Mat 2PK	\$14.99
13	16700	Drawer Liners 2PK	\$24.99	D	16854	Blue 4-3/8 D / 14-3/4 W Drawer	\$24.99
E	16855	Blue 6-5/8 D / 14-3/4 W Drawer	\$27.99				



PLEASE READ THE FOLLOWING CAREFULLY

THE MANUFACTURER AND/OR DISTRIBUTOR HAS PROVIDED THE PARTS LIST AND ASSEMBLY DIAGRAM IN THIS DOCUMENT AS A REFERENCE TOOL ONLY. NEITHER THE MANUFACTURER OR DISTRIBUTOR MAKES ANY REPRESENTATION OR WARRANTY OF ANY KIND TO THE BUYER THAT HE OR SHE IS QUALIFIED TO MAKE ANY REPAIRS TO THE PRODUCT, OR THAT HE OR SHE IS QUALIFIED TO REPLACE ANY PARTS OF THE PRODUCT. IN FACT, THE MANUFACTURER AND/OR DISTRIBUTOR EXPRESSLY STATES THAT ALL REPAIRS AND PARTS REPLACEMENTS SHOULD BE UNDERTAKEN BY CERTIFIED AND LICENSED TECHNICIANS, AND NOT BY THE BUYER. THE BUYER ASSUMES ALL RISK AND LIABILITY ARISING OUT OF HIS OR HER REPAIRS TO THE ORIGINAL PRODUCT OR REPLACEMENT PARTS THERETO, OR ARISING OUT OF HIS OR HER INSTALLATION OF REPLACEMENT PARTS THERETO.