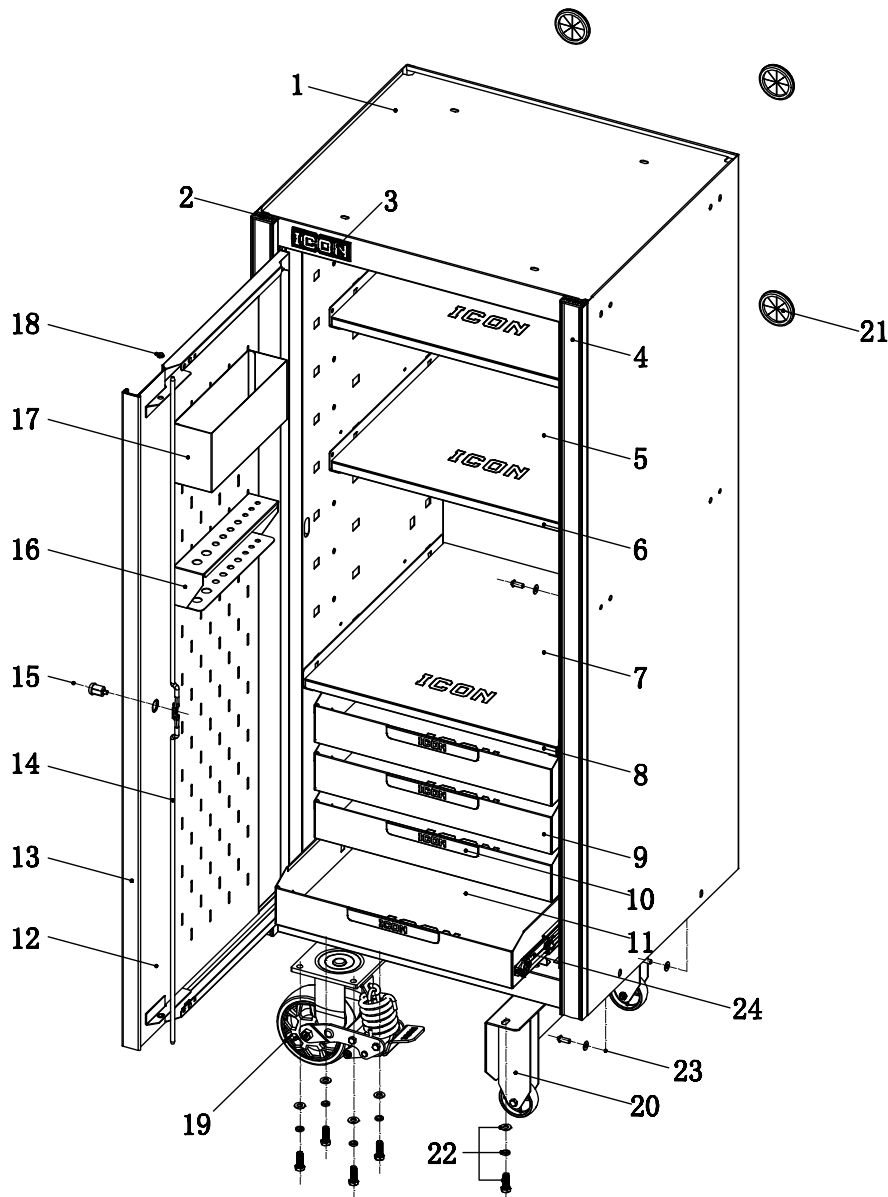


## Hardware Ordering List - Item 56138 56320 56321 56322

Call 1-800-444-3353 to order parts for this item. Provide the Order number for the needed part(s).

Part	Order	Description
19	16772	Swivel Brake Caster
15	16773	Lock Assm. W/ 2 Keys
9	16783	Drawer Red
10	16784	Drawer Handle
11	16785	Drawer Mat
24	16786	Cabinet Slide Pair (L&R )
5	16799	Short Shelf Mat

Part	Order	Description
5	16806	Short Shelf Red
-	16808	Left Mounting Bracket
-	16811	Right Mounting Bracket
7	16823	Long Shelf Mat
8	16824	Long Shelf Red
25	16831	Slide Screws 2 Pk
-	16832	Locker Mounting Hardware 6 Pk



## PLEASE READ THE FOLLOWING CAREFULLY

THE MANUFACTURER AND/OR DISTRIBUTOR HAS PROVIDED THE PARTS LIST AND ASSEMBLY DIAGRAM IN THIS DOCUMENT AS A REFERENCE TOOL ONLY. NEITHER THE MANUFACTURER OR DISTRIBUTOR MAKES ANY REPRESENTATION OR WARRANTY OF ANY KIND TO THE BUYER THAT HE OR SHE IS QUALIFIED TO MAKE ANY REPAIRS TO THE PRODUCT, OR THAT HE OR SHE IS QUALIFIED TO REPLACE ANY PARTS OF THE PRODUCT. IN FACT, THE MANUFACTURER AND/OR DISTRIBUTOR EXPRESSLY STATES THAT ALL REPAIRS AND PARTS REPLACEMENTS SHOULD BE UNDERTAKEN BY CERTIFIED AND LICENSED TECHNICIANS, AND NOT BY THE BUYER. THE BUYER ASSUMES ALL RISK AND LIABILITY ARISING OUT OF HIS OR HER REPAIRS TO THE ORIGINAL PRODUCT OR REPLACEMENT PARTS THERETO, OR ARISING OUT OF HIS OR HER INSTALLATION OF REPLACEMENT PARTS THERETO.